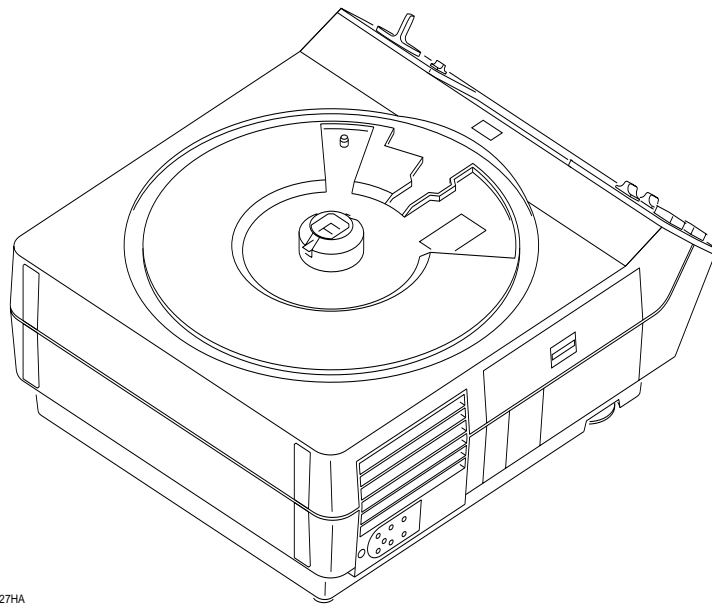


**ILLUSTRATED PARTS LIST**  
**for the**  
***Kodak Carousel 4200/4200-J/4200-KK/4400/***  
***4600/4600-KK PROJECTORS***  
***Kodak Carousel 5600/5600-J/5600-KK PROJECTORS***  
**New Look PROJECTORS**  
**Service Code: 5440**




A100\_0027HA



**PLEASE NOTE** The information contained herein is based on the experience and knowledge relating to the subject matter gained by Eastman Kodak Company prior to publication.

No patent license is granted by this information.

Eastman Kodak Company reserves the right to change this information without notice, and makes no warranty, express or implied, with respect to this information. Kodak shall not be liable for any loss or damage, including consequential or special damages, resulting from any use of this information, even if loss or damage is caused by Kodak's negligence or other fault.

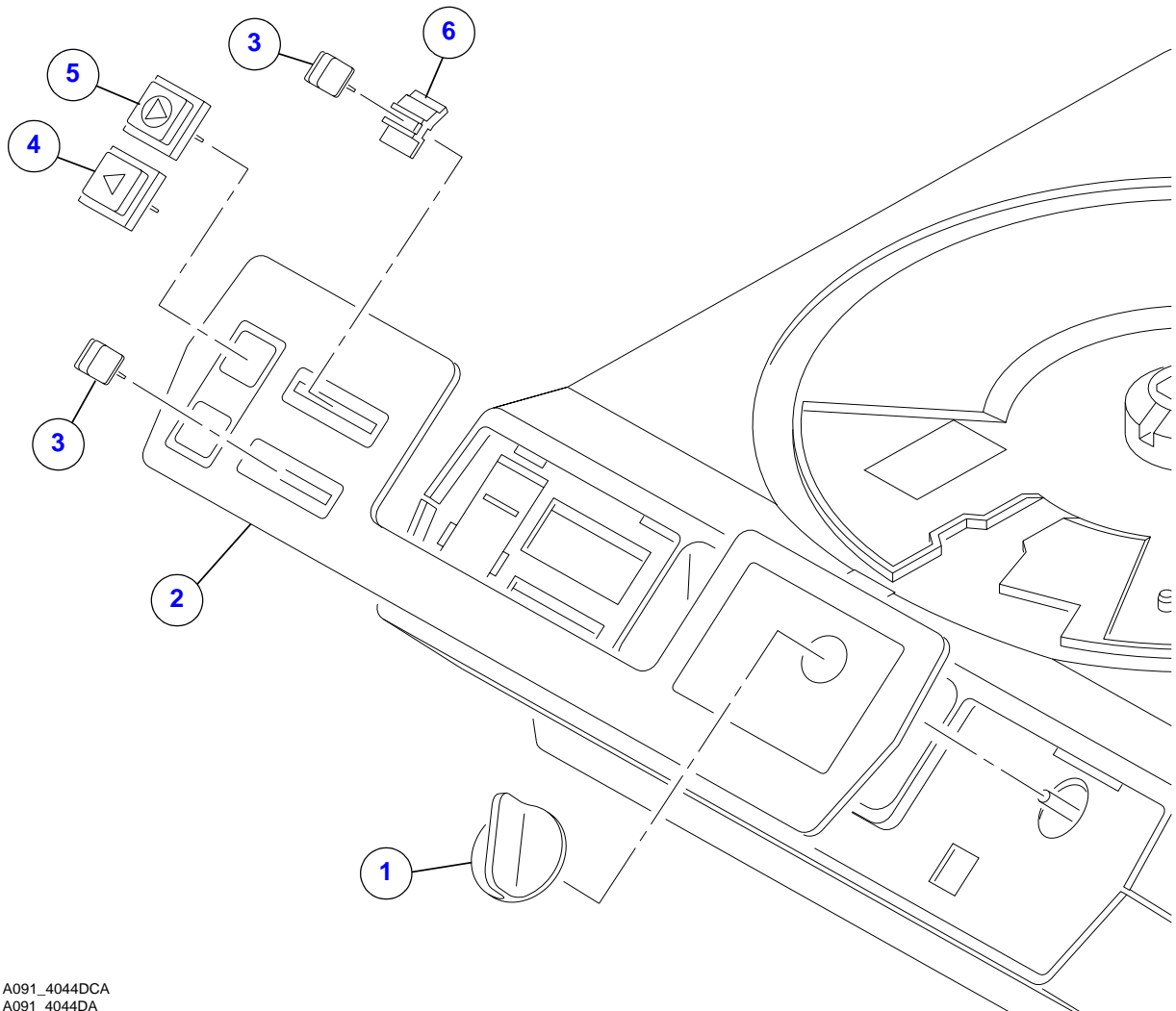
 This equipment includes parts and assemblies sensitive to damage from electrostatic discharge. Use caution to prevent damage during all service procedures.

## Table of Contents

Description	Page
<a href="#">Illustrated Parts List</a> . . . . .	3
<a href="#">CONTROL PANEL</a> . . . . .	3
<a href="#">LOWER HOUSING AY</a> . . . . .	4
<a href="#">MOUNT MIRROR and VIEWER DRAWER</a> . . . . .	6
<a href="#">LAMP MODULE AY</a> . . . . .	7
<a href="#">EXTRA BRIGHT LAMP MODULE AY</a> . . . . .	9
<a href="#">MOTOR and Electrical</a> . . . . .	11
<a href="#">LAMP and COOLING SYSTEM</a> . . . . .	13
<a href="#">LENS MOUNT AY for the NON-AUTO FOCUS PROJECTORS</a> . . . . .	15
<a href="#">LENS MOUNT AY for the AUTO FOCUS PROJECTORS</a> . . . . .	17
<a href="#">PHOTOCELL and CLAMP PAD AY for the</a> <a href="#">5600, 5600-J, 5600-KK PROJECTORS</a> . . . . .	19
<a href="#">VIEWER FOCUS AY for the 5600, 5600-J, 5600-KK PROJECTORS</a> . . . . .	21
<a href="#">MECHANISM AY and TOP HOUSING AY</a> . . . . .	22
<a href="#">MECHANISM AY and TOP PLATE AY</a> . . . . .	24
<a href="#">MECHANISM AY and SHUTTER AND GATE AY</a> . . . . .	26
<a href="#">MECHANISM AY and CAMSTACK AY</a> . . . . .	28
<a href="#">MECHANISM AY and LEVERS</a> . . . . .	29
<a href="#">REMOTE CONTROL EC3 for the</a> <a href="#">5600, 5600-J, 5600-KK PROJECTORS</a> . . . . .	
<a href="#">REMOTE CONTROL EC2 for the 4400 PROJECTOR</a> . . . . .	31
<a href="#">REMOTE CONTROL EC1 for the</a> <a href="#">4200, 4200-J, 4200-KK, 4600, 4600-KK PROJECTORS</a> . . . . .	33
<a href="#">COMPONENT BOARD AY for the</a> <a href="#">4200, 4200-J, 4200-KK, 4400 PROJECTORS</a> . . . . .	34
<a href="#">COMPONENT BOARD AY for the 4600, 4600-K, 4600-KK PROJECTORS</a> . . . . .	35
<a href="#">COMPONENT BOARD AY for the 5600, 5600-J, 5600-KK PROJECTORS</a> . . . . .	37
<a href="#">Numerical Index</a> . . . . .	39
<a href="#">Alphabetical Index</a> . . . . .	45

# Section 1: Illustrated Parts List

Figure 1 CONTROL PANEL

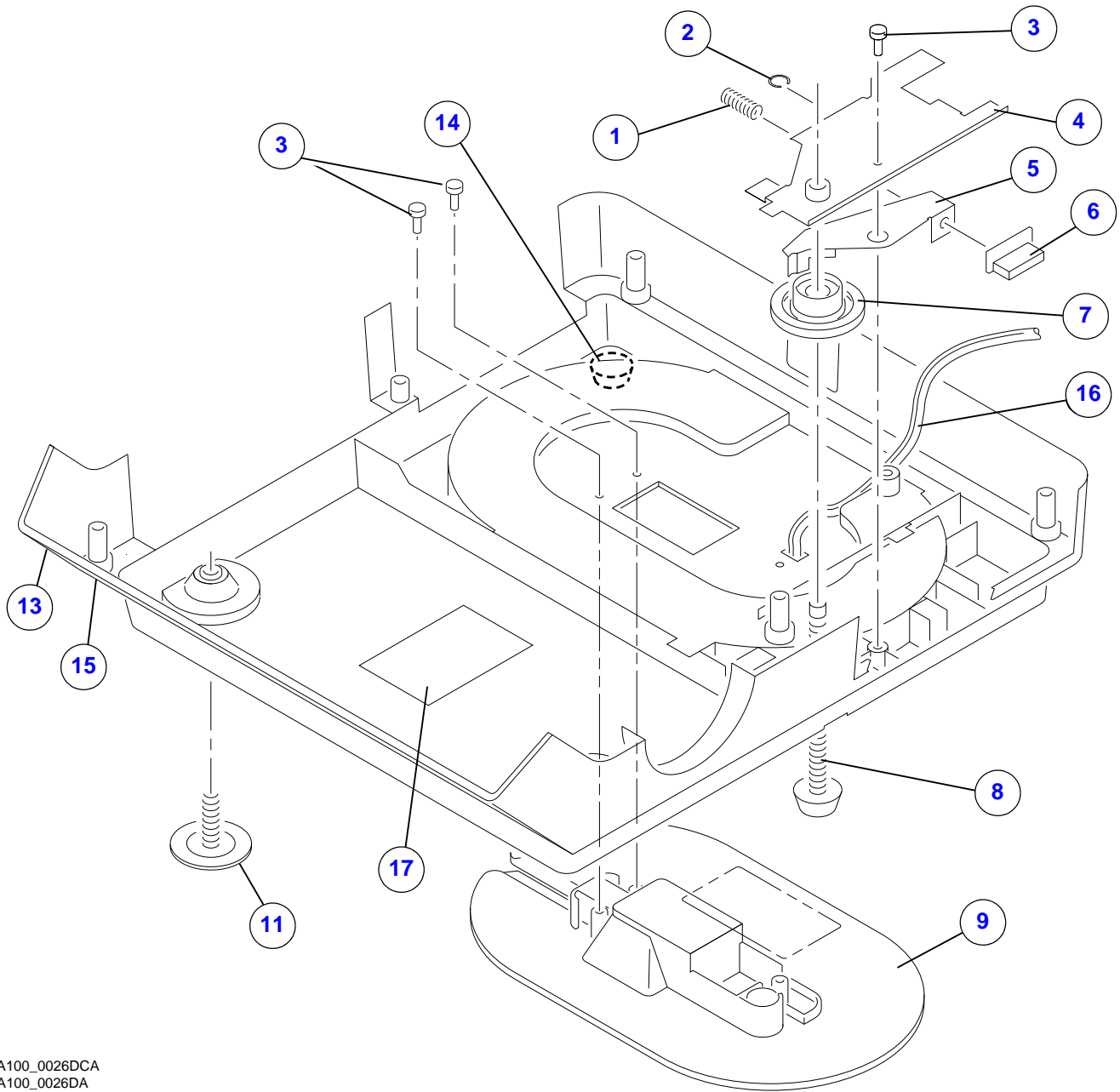


A091\_4044DCA  
A091\_4044DA

Figure 1 CONTROL PANEL

Item	Part No.	Description	Quantity	Notes
1	226082	KNOB - focus	1	
2	6C0907	PANEL - control, 4200 projector, long life only	1	
	6C0908	PANEL - control, 4400 projector, long life only	1	
	6C0909	PANEL - control, 4600 projector, long life only	1	
	6C0910	PANEL - control, 5600 projector, long life only	1	
3	3B0158	SLIDER - power/timer switch	2	
4	3B0162	BUTTON - reverse	1	
5	3B0161	BUTTON - forward	1	
6	3B0160	INTERFACE - power/timer	1	

Figure 2 LOWER HOUSING AY

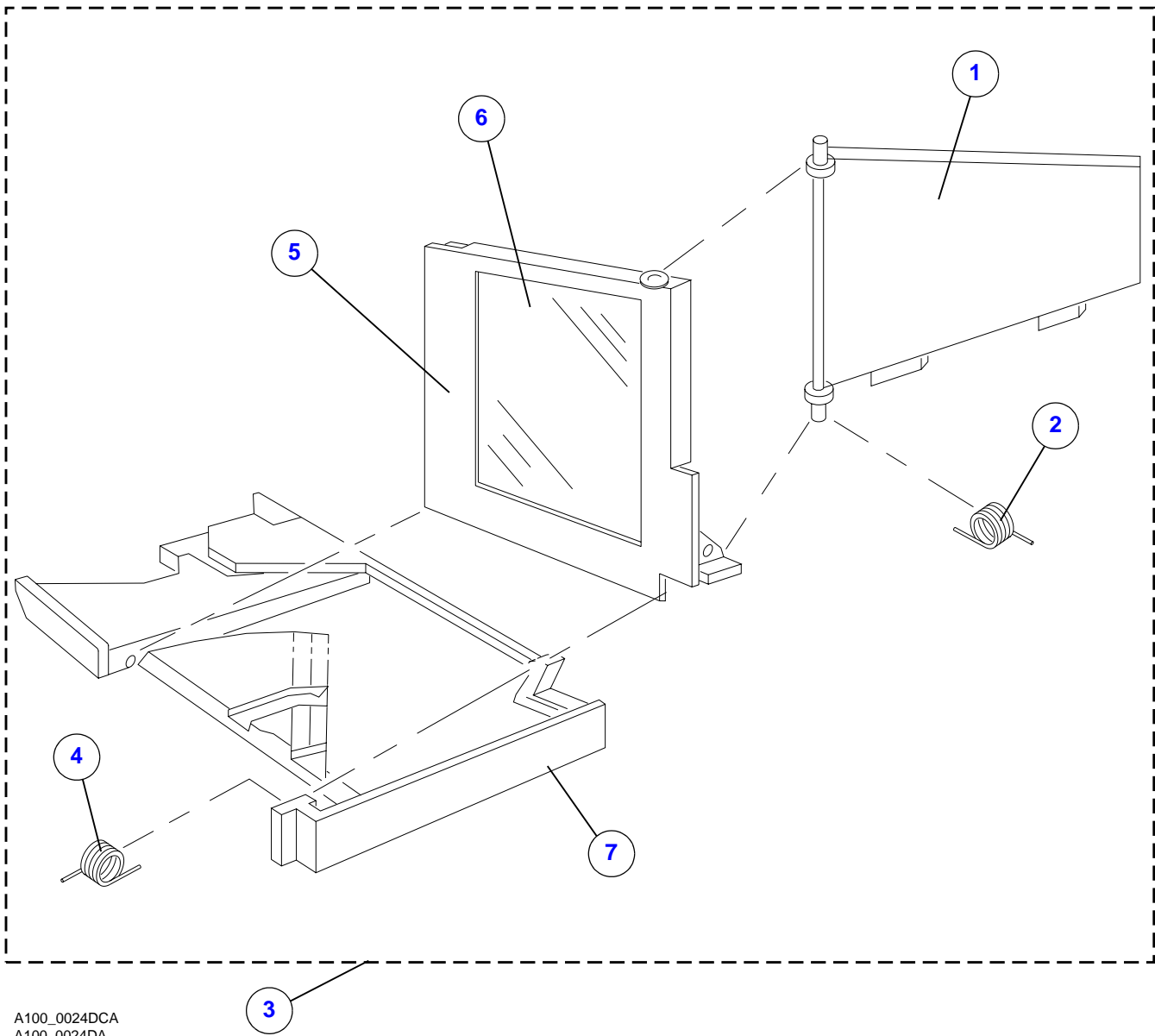


A100\_0026DCA  
A100\_0026DA

Figure 2 LOWER HOUSING AY

Item	Part No.	Description	Quantity	Notes
1	221133	SPRING - elevation	1	
2	129795	E-RING	1	
3	254379	SCREW - hex, button	3	
4	221223	PLATE - elevation	1	
5	231687	LEVER - elevation	1	
6	229364	BUTTON - elevation	1	
7	221160	KNOB - elevation	1	
8	221252	ELEVATION AY	1	
9	7C3457	COVER AY - cord wrap	1	
10	205342	LABEL - serial number, U.S. projectors	1	Not visible in graphic.
	785004	LABEL - serial number, 4200-J, 5600-J projectors	1	
	941999	LABEL - serial number, 4200-KK, 4600-KK, 5600-KK projectors	1	
11	226079	LEVELING AY	1	
13	2E5901	HOUSING - lower, 4200, 4200-J, 4400, 4600 projectors	1	
	7C3453	HOUSING - lower, 4200-KK, 4600-KK projectors	1	
	2J6317	HOUSING - lower, 5600, 5600-J projectors	1	
	5B5064	HOUSING - lower, 5600-KK projector	1	
14	893402	FOOT	1	
15	254442	SCREW - base	6	
16	7C3470	CORD - power, U.S. projectors	1	
	259460	CORD - power, 4200-J, 5600-J projectors	1	
	941962	CORD - power, 4200-KK, 4600-KK, 5600-KK projectors	1	
17	3H6864	LABEL - data, U.S. projectors	1	

Figure 3 MOUNT MIRROR and VIEWER DRAWER

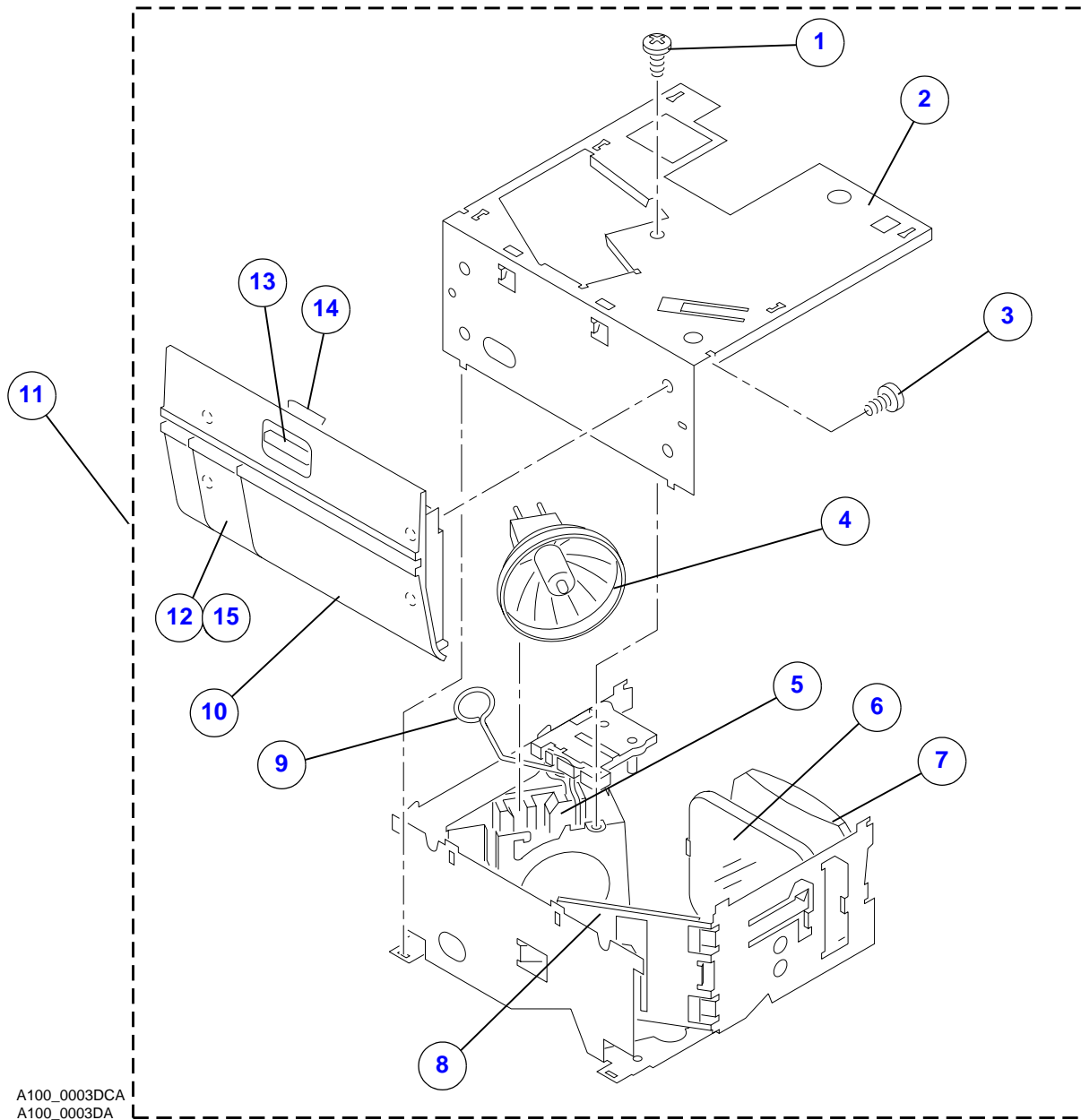


A100\_0024DCA  
A100\_0024DA

Figure 3 MOUNT MIRROR and VIEWER DRAWER

Item	Part No.	Description	Quantity	Notes
1	5B4641	MIRROR - mount, 5600, 5600-J, 5600-KK projectors	1	
2	221054	SPRING	1	
3	5B4644	DRAWER AY - viewer, 5600, 5600-J, 5600-KK, medalist I projectors	1	
4	221053	SPRING	1	
5	5B4642	SCREEN - frame, 5600, 5600-J, 5600-KK projectors	1	
6	221014	SCREEN	1	
7	221018	DRAWER - viewer	1	

Figure 4 LAMP MODULE AY



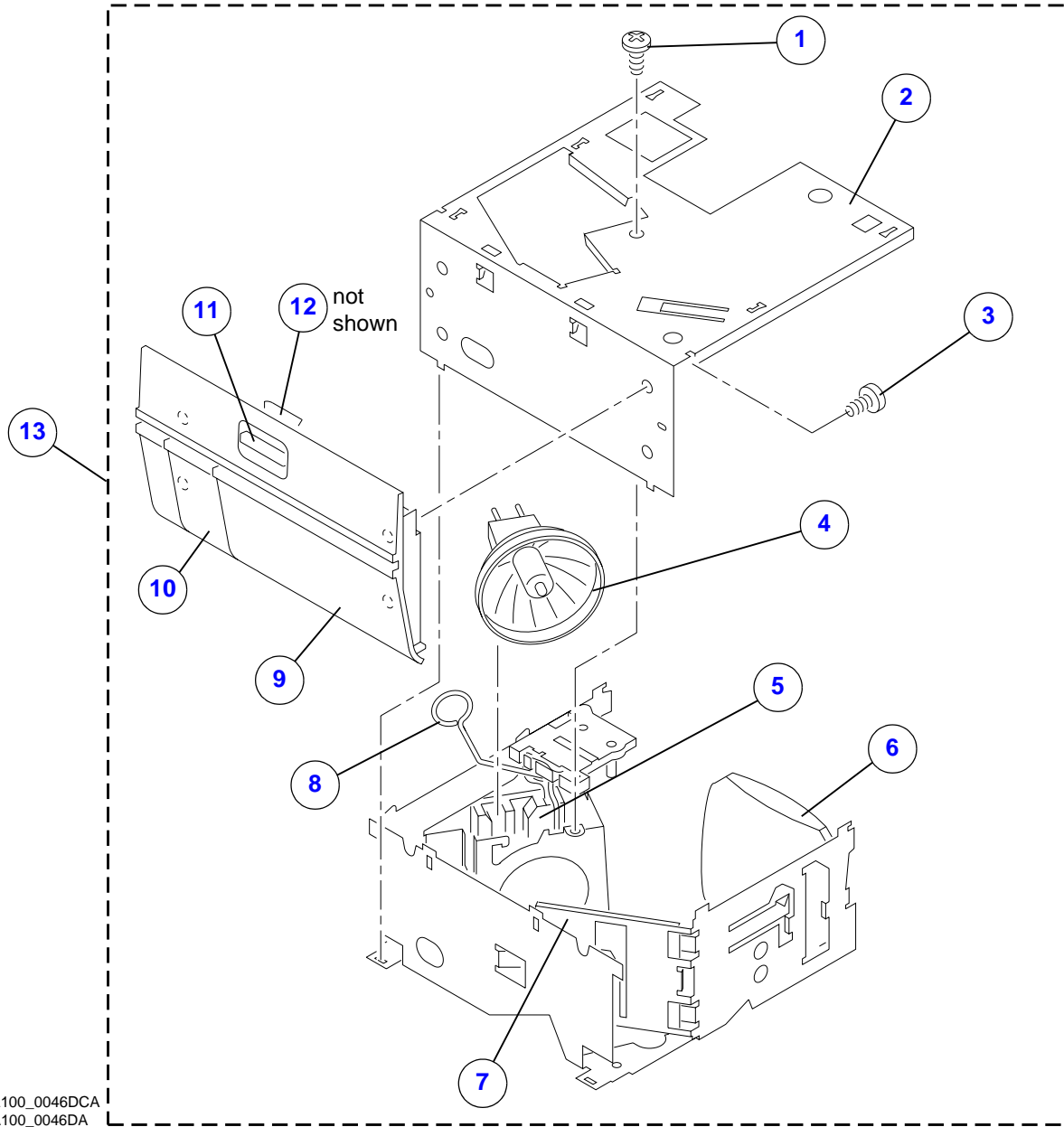
A100\_0003DCA  
A100\_0003DA

Figure 4 LAMP MODULE AY

Item	Part No.	Description	Quantity	Notes
1	236541	SCREW	1	
2	5B5047	PLATE AY - lamp and door	1	For the LAMP MODULE AY.
3	259556	SCREW	4	
4	---	LAMP - ANSI code, FHS	1	Listed in the Kodak Price Catalog.
5	259748	TERMINAL AY - lamp socket	1	
6	628491	LENS - heat absorbing	1	
7	628305	LENS - condenser	1	
8	628154	MIRROR - lamp module	1	
9	235849	EJECTOR - lamp	1	
10	5B5045	DOOR - lamp module	1	
11	5B5831	MODULE AY - extra bright, lamp	1	Listed in the Kodak Price Catalog.
12	5B5046	LIGHT - door reading	1	For the LAMP MODULE AY.
13	239814	SWITCH AY - cycle, with power switch	1	
14	239813	SPRING - door latch	1	Not visible in graphic.
15	628582	LENS - reading light	1	Not visible in graphic.



Figure 5 EXTRA BRIGHT LAMP MODULE AY

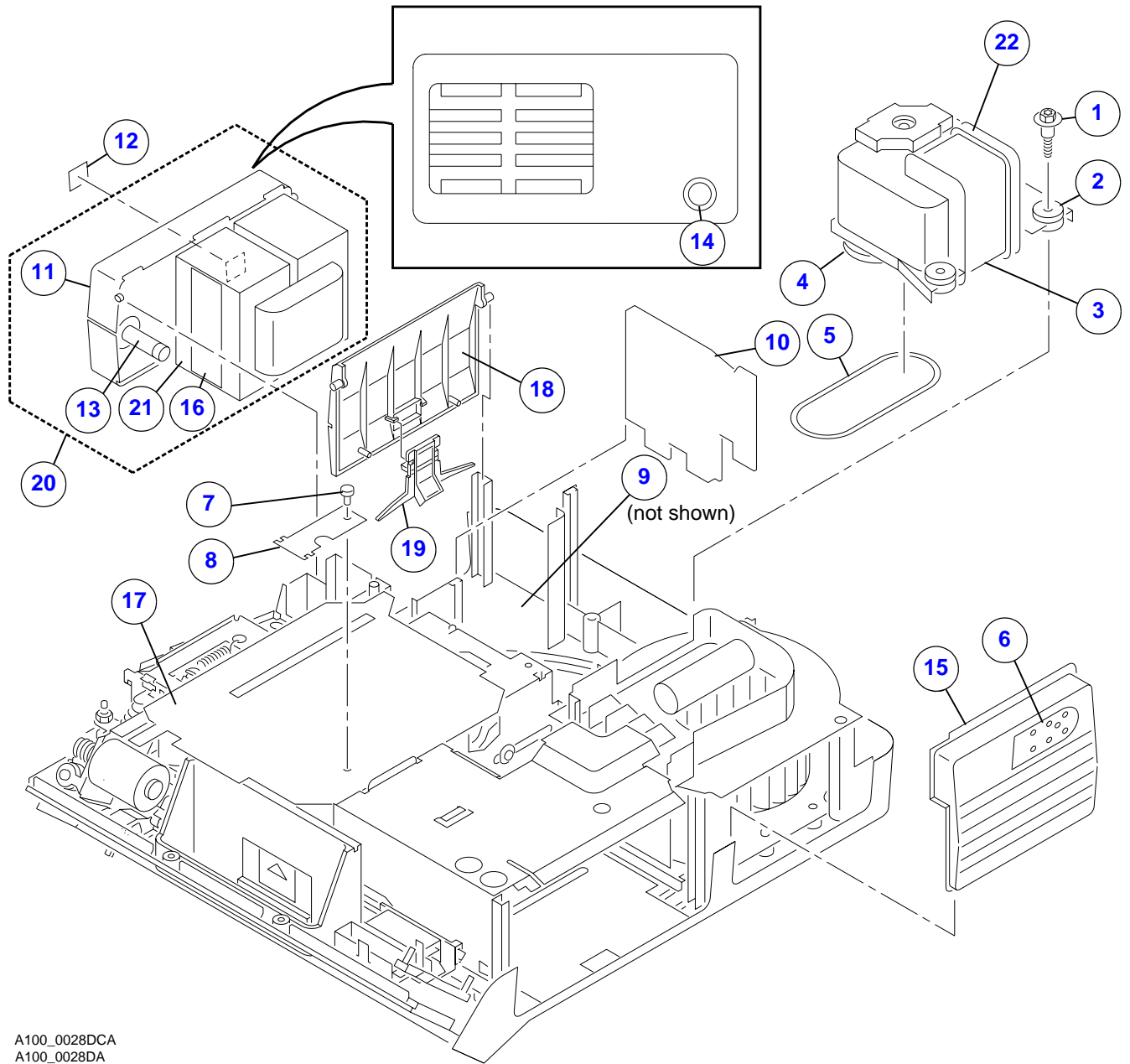


A100\_0046DCA  
A100\_0046DA

Figure 5 EXTRA BRIGHT LAMP MODULE AY

Item	Part No.	Description	Quantity	Notes
1	785130	SCREW	1	
2	2B5832	PLATE AY - lamp and door	1	For the extra bright LAMP MODULE AY.
3	259556	SCREW	4	
4	628104	LAMP - ANSI code, FHS	1	Listed in the Kodak Price Catalog.
5	259748	TERMINAL AY - lamp socket	1	
6	628305	LENS - condenser	1	
7	2B7754	MIRROR	1	For the EXTRA BRIGHT LAMP MODULE AY.
8	235849	EJECTOR - lamp	1	
9	5B5625	DOOR - lamp module	1	For the EXTRA BRIGHT LAMP MODULE AY.
10	8B9864	LIGHT - door reading	1	For the EXTRA BRIGHT LAMP MODULE AY.
11	239313	SPRING - door latch	1	Not visible in graphic.
12	239314	LATCH - door	1	
13	5B5831	MODULE AY - extra bright, lamp	1	Listed in the Kodak Price Catalog.

Figure 6 MOTOR and Electrical

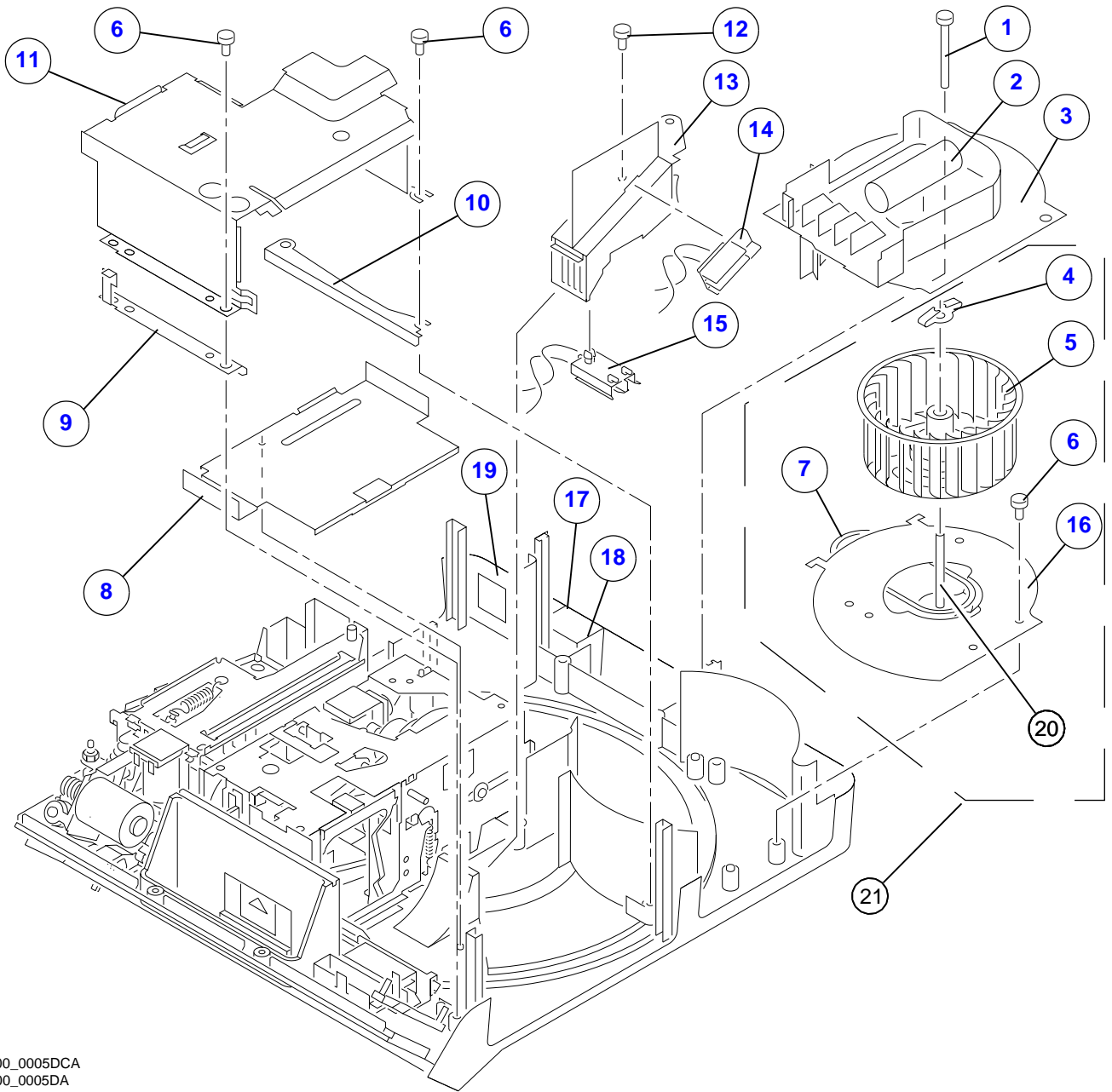


A100\_0028DCA  
A100\_0028DA

Figure 6 MOTOR and Electrical

Item	Part No.	Description	Quantity	Notes
1	215242	SCREW	1	
2	215178	GROMMET	1	
3	7C9783	MOTOR - 4200-J, 5600-J, standard projectors	1	
	7C9785	MOTOR - 4200-J, 5600-J, long life projectors	1	
	221075	MOTOR - U.S., all other standard projectors	1	
	7C9786	MOTOR - U.S., all other long life projectors	1	
4	5B5894	MOTOR - pulley, U.S. projectors	1	
5	2J6630	BELT - fan drive	1	
6	232011	RECEPTACLE - remote	1	
7	6C1825	SCREW	4	
8	232994	WALL - stabilizer	1	
9	251669	DAMPENER - foam, 4200-KK, 4600-KK, 5600-KK projectors	1	
10	256801	BOARD AY - component, 4200, 4200-J, 4200-KK, 4400 projectors	1	
	256807	BOARD AY - component, 4600, 4600-K, 4600-KK projectors	1	
	256809	BOARD AY - component, 5600, 5600-J, 5600-KK projectors	1	
11	989237	MODULE - voltage, 4200-KK, 4600-KK, 5600-KK projectors	1	
12	989232	SYMBOL - corporate	1	
13	251708	HOUSING - fuse, 4200-KK, 4600-KK, 5600-KK projectors	1	
14	145051	FUSE - 4200-KK, 4600-KK, 5600-KK projectors	1	
15	5B5042	GRILLE AY - 4200, 4200-J. 4200-KK, 4400, 4600, 4600-KK projectors	1	
	5B5058	GRILLE AY - 5600, 5600-J projectors	1	
	5B5066	GRILLE AY - 5600-KK projector	1	
16	251699	INSULATOR - 4200-KK, 4600-KK, 5600-KK projectors	1	
17	7C3585	COVER - viewer screen, 5600 projector only	1	
18	5B5038	DOOR - storage	1	
19	232954	LATCH - storage door	1	
20	5B4638	MODULE - transformer, complete, 4200-KK, 4600-KK, 5600-KK projectors	1	
21	941963	TRANSFORMER - 4200-KK, 4600-KK, 5600-KK projectors	1	
22	227132	VARISTOR - motor, 4600, 5600 projectors	1	Not visible in graphic.
23	---	CAPACITOR	1	Not visible in graphic.

Figure 7 LAMP and COOLING SYSTEM

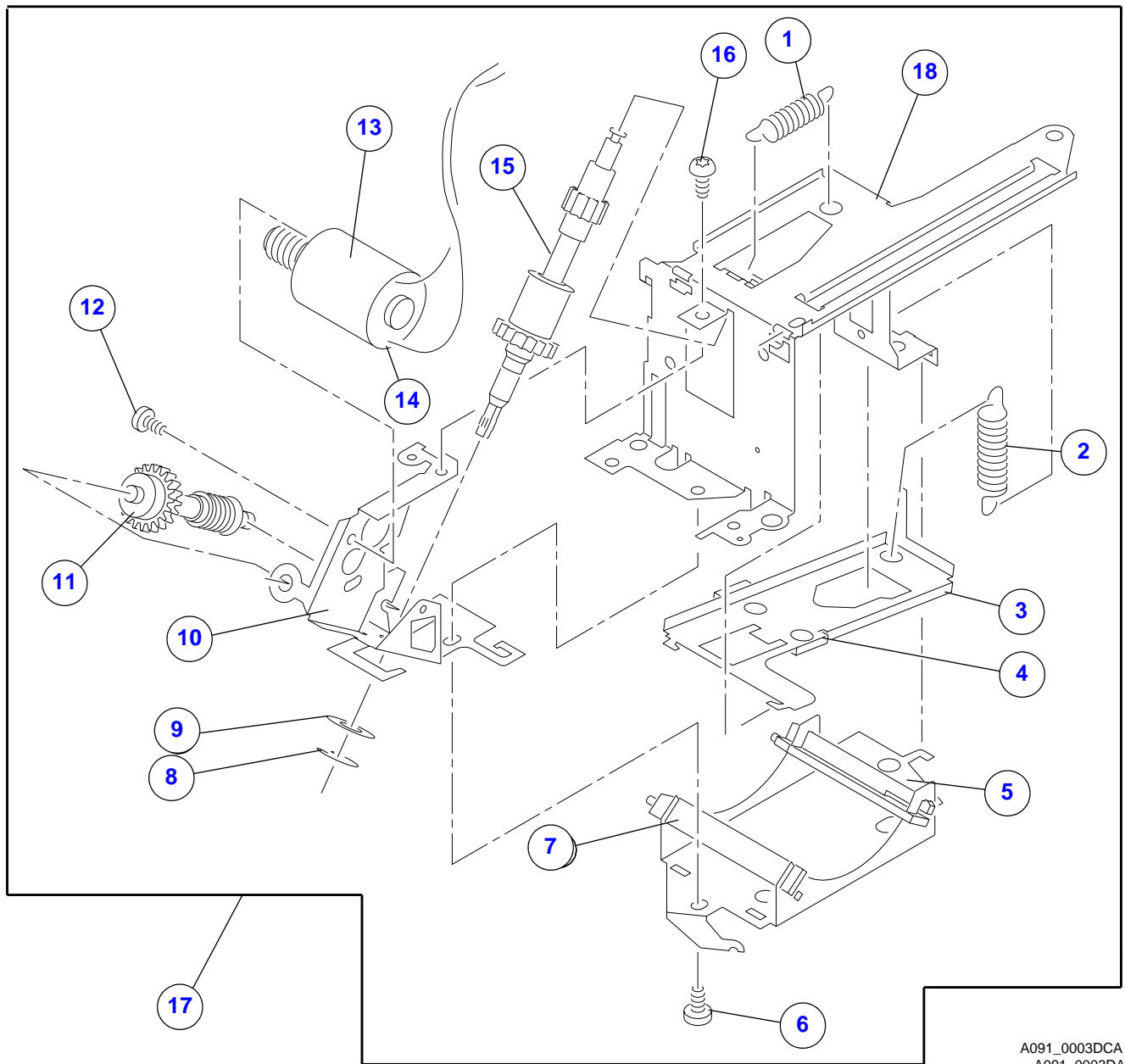


A100\_0005DCA  
A100\_0005DA

**Figure 7 LAMP and COOLING SYSTEM**

<b>Item</b>	<b>Part No.</b>	<b>Description</b>	<b>Quantity</b>	<b>Notes</b>
<b>1</b>	254443	SCREW - 4200-KK and 5600 projectors	1	
<b>2</b>	227400	RESISTOR - dropping	1	
<b>3</b>	236078	COVER AY - blower	1	
<b>4</b>	254758	CLIP - retainer	1	
<b>5</b>	236070	FAN AY	1	
<b>6</b>	236541	SCREW	6	
<b>7</b>	2J6630	BELT - fan drive	1	
<b>8</b>	221285	BAFFLE - upper light	1	
<b>9</b>	250083	TRACK - right	1	
<b>10</b>	221419	TRACK - left	1	
<b>11</b>	250081	BAFFLE	1	
<b>12</b>	5B5830	SCREW	1	
<b>13</b>	236056	DUCT - pre-heat	1	
<b>14</b>	221381	RECEPTACLE - lamp	1	
<b>15</b>	226075	FUSE - thermal	1	
<b>16</b>	254759	BLOWER AY - fan shaft	1	
<b>17</b>	941993	POWER INLET SOCKET - 4200-KK, 4600-KK, 5600-KK projectors	1	
<b>18</b>	691662	FUSE - main, 2.5 AMP, 250 V - 4200-KK, 4600-KK, 5600-KK projectors	1	
<b>19</b>	5B5621	LABEL - 4200-KK, 4600-KK, 5600-KK projectors	1	

Figure 8 LENS MOUNT AY for the NON-AUTO FOCUS PROJECTORS



A091\_0003DCA  
A091\_0003DA

Figure 8 LENS MOUNT AY for the NON-AUTO FOCUS PROJECTORS

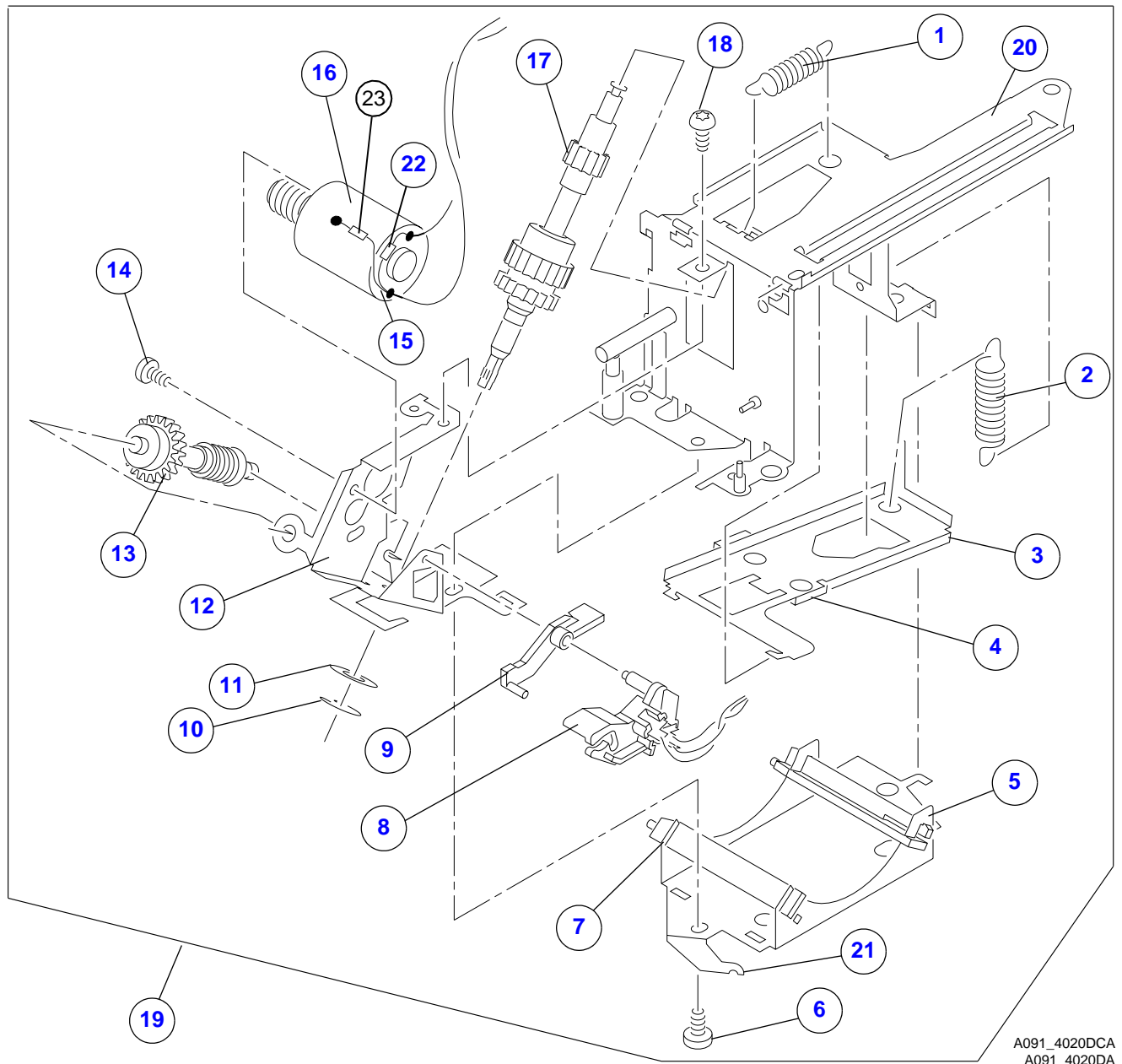
Item	Part No.	Description	Quantity	Notes
1	231788	SPRING - focus shaft	1	
2	226702	SPRING - lens mount	1	
3	231787	BRACKET - lens support	1	
4	231783	PAD - lens mount	1	
5	207279	BRACKET	1	
6	6C1825	SCREW	1	
7	226084	RAIL - lens support	2	

**ILLUSTRATED PARTS LIST**

<b>Item</b>	<b>Part No.</b>	<b>Description</b>	<b>Quantity</b>	<b>Notes</b>
<b>8</b>	128527	E-RING	1	
<b>9</b>	543384	SPACER	1	
<b>10</b>	961758	BRACKET - focus motor	1	
<b>11</b>	226061	SHAFT AY - worm	1	
<b>12</b>	961848	SCREW	2	
<b>13</b>	961757	MOTOR - focus	1	
<b>14</b>	961759	COVER - focus motor	1	
<b>15</b>	231792	SHAFT AY - focus	1	
<b>16</b>	236541	SCREW	1	
<b>17</b>	988302	MOUNT AY - lens, 4200, 4200-J, 4200-KK projectors	1	
	988303	MOUNT AY - lens, 4400 projector	1	
<b>18</b>	5B5808	BRACKET - lens mount, 4200 and 4400 projectors	1	



Figure 9 LENS MOUNT AY for the AUTO FOCUS PROJECTORS

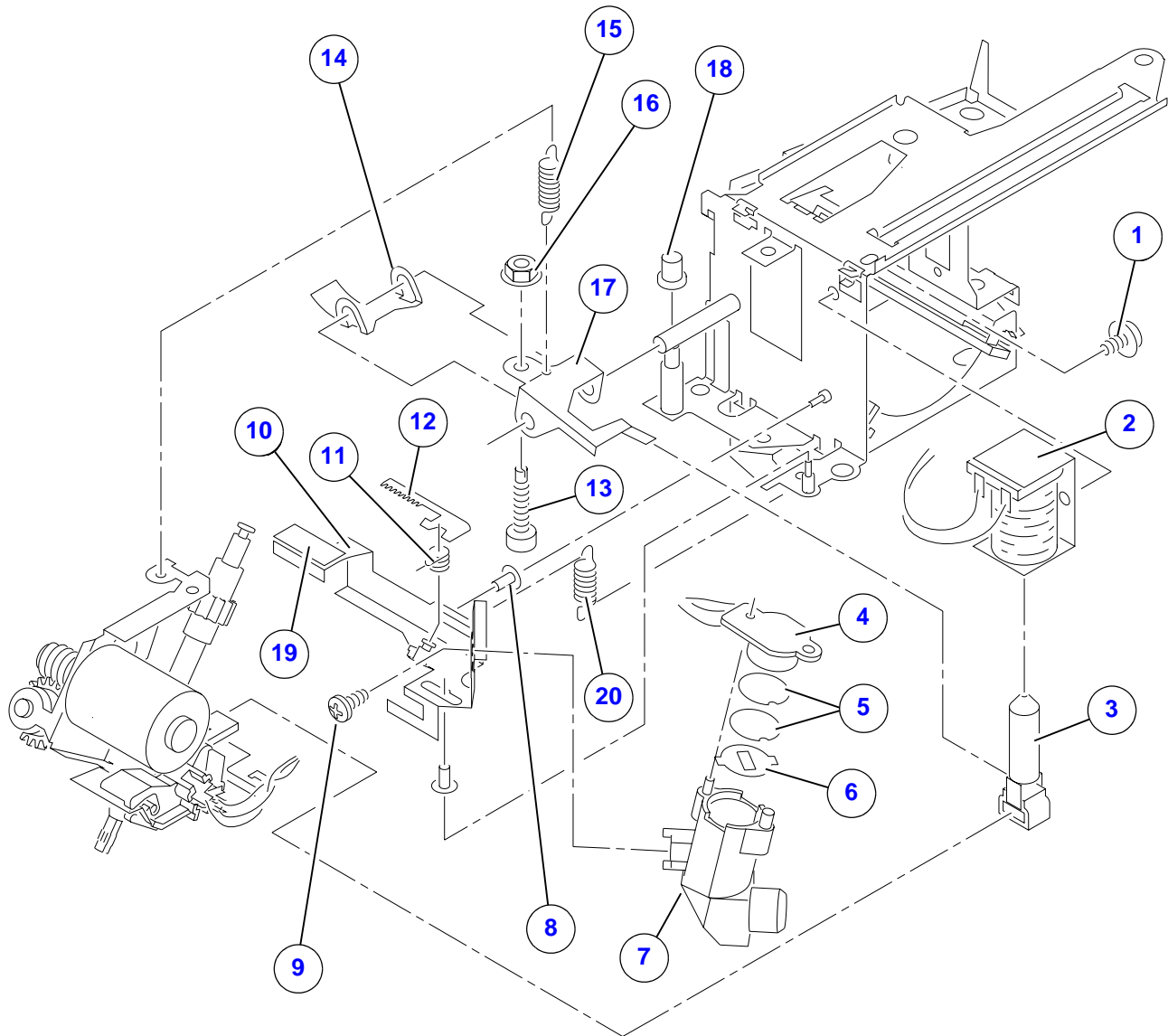


A091\_4020DCA  
A091\_4020DA

**Figure 9 LENS MOUNT AY for the AUTO FOCUS PROJECTORS**

<b>Item</b>	<b>Part No.</b>	<b>Description</b>	<b>Quantity</b>	<b>Notes</b>
<b>1</b>	231788	SPRING - focus shaft	1	
<b>2</b>	226702	SPRING - lens mount	1	
<b>3</b>	231787	BRACKET - lens support	1	
<b>4</b>	231783	PAD - lens mount	1	
<b>5</b>	207279	BRACKET	1	
<b>6</b>	6C1825	SCREW	1	
<b>7</b>	226084	RAIL - lens support	2	
<b>8</b>	221173	SWITCH - auto focus, 5600-J, 5600-KK, medalist I projectors	1	
<b>9</b>	221041	LEVER - auto focus	1	
<b>10</b>	128527	E-RING	1	
<b>11</b>	543384	SPACER	1	
<b>12</b>	961760	BRACKET - focus motor, 4600 projector	1	
<b>13</b>	226061	SHAFT AY - worm	1	
<b>14</b>	961848	SCREW	2	
<b>15</b>	961759	COVER - focus motor	1	
<b>16</b>	961757	MOTOR, focus	1	
<b>17</b>	231792	SHAFT AY - focus	1	
<b>18</b>	6C1825	SCREW	1	
<b>19</b>	236625	MOUNT AY - lens, 4600, 4600-KK projectors	1	
<b>20</b>	236076	MOUNT AY - lens, 5600, 5600-J, 5600-KK projectors	1	
<b>21</b>	4B0396	BRACKET - lens mount	1	
<b>22</b>	221097	SPRING - photocell bracket	1	Not visible in graphic.

Figure 10 PHOTOCELL and CLAMP PAD AY for the 5600, 5600-J, 5600-KK PROJECTORS



A091\_4019DCA  
A091\_4019DA

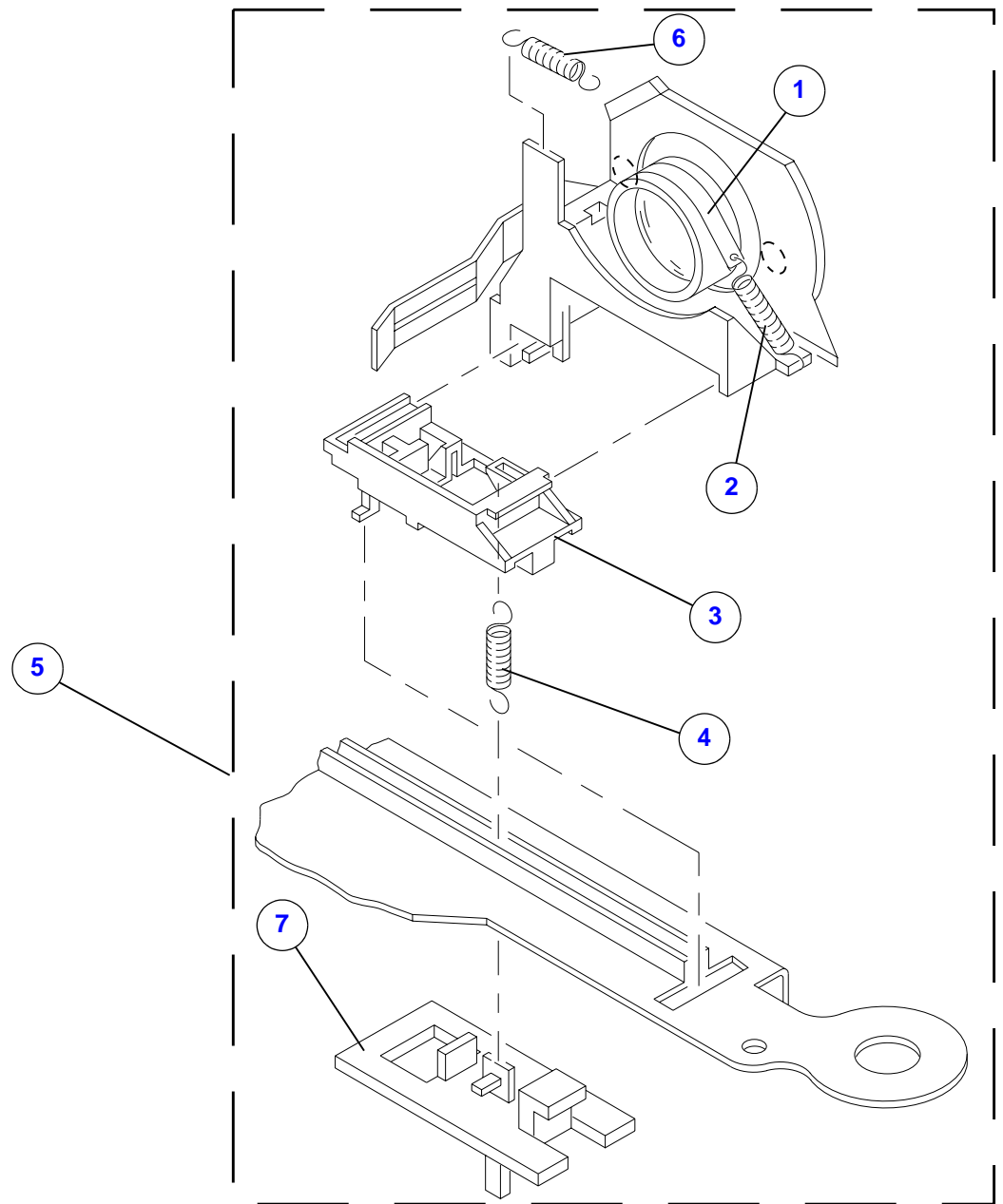
Figure 10 PHOTOCELL and CLAMP PAD AY for the 5600, 5600-J, 5600-KK PROJECTORS

Item	Part No.	Description	Quantity	Notes
1	221051	SCREW - 5600, 5600-J, 5600-KK projectors	2	
2	2B5163	RACK AY - solenoid, 5600, 5600-J, 5600-KK projectors	1	
3	221395	PLUNGER - rack solenoid, 5600, 5600-J, 5600-KK projectors	1	
4	7C9441	CIRCUIT BOARD - photocell, all auto focus projectors	1	
5	219134	FILTER - photocell	2	
6	221010	MASK - photocell	1	
7	221331	HOUSING - photocell	1	
8	196434	BUSHING	2	

**ILLUSTRATED PARTS LIST**

<b>Item</b>	<b>Part No.</b>	<b>Description</b>	<b>Quantity</b>	<b>Notes</b>
<b>9</b>	176252	SCREW	1	
<b>10</b>	221392	PAD AY - clamp	1	
<b>11</b>	221099	SPRING - photocell rack, all projectors	1	
<b>12</b>	221022	RACK - photocell, all projectors	1	
<b>13</b>	253789	SCREW - 5600, 5600-J, 5600-KK projectors	1	
<b>14</b>	221394	CLAMP - 5600, 5600-J, 5600-KK projectors	1	
<b>15</b>	221096	SPRING - clamp lever, 5600, 5600-J, 5600-KK projectors	1	
<b>16</b>	166072	NUT - clamp lever, 5600, 5600-J, 5600-KK projectors	1	
<b>17</b>	221377	LEVER - clamp, 5600, 5600-J, 5600-KK projectors	1	
<b>18</b>	221032	BEARING - lens support, all projectors	1	
<b>19</b>	5B5599	PAD - cork	1	
<b>20</b>	221097	SPRING - photocell bracket	1	

Figure 11 VIEWER FOCUS AY for the 5600, 5600-J, 5600-KK PROJECTORS

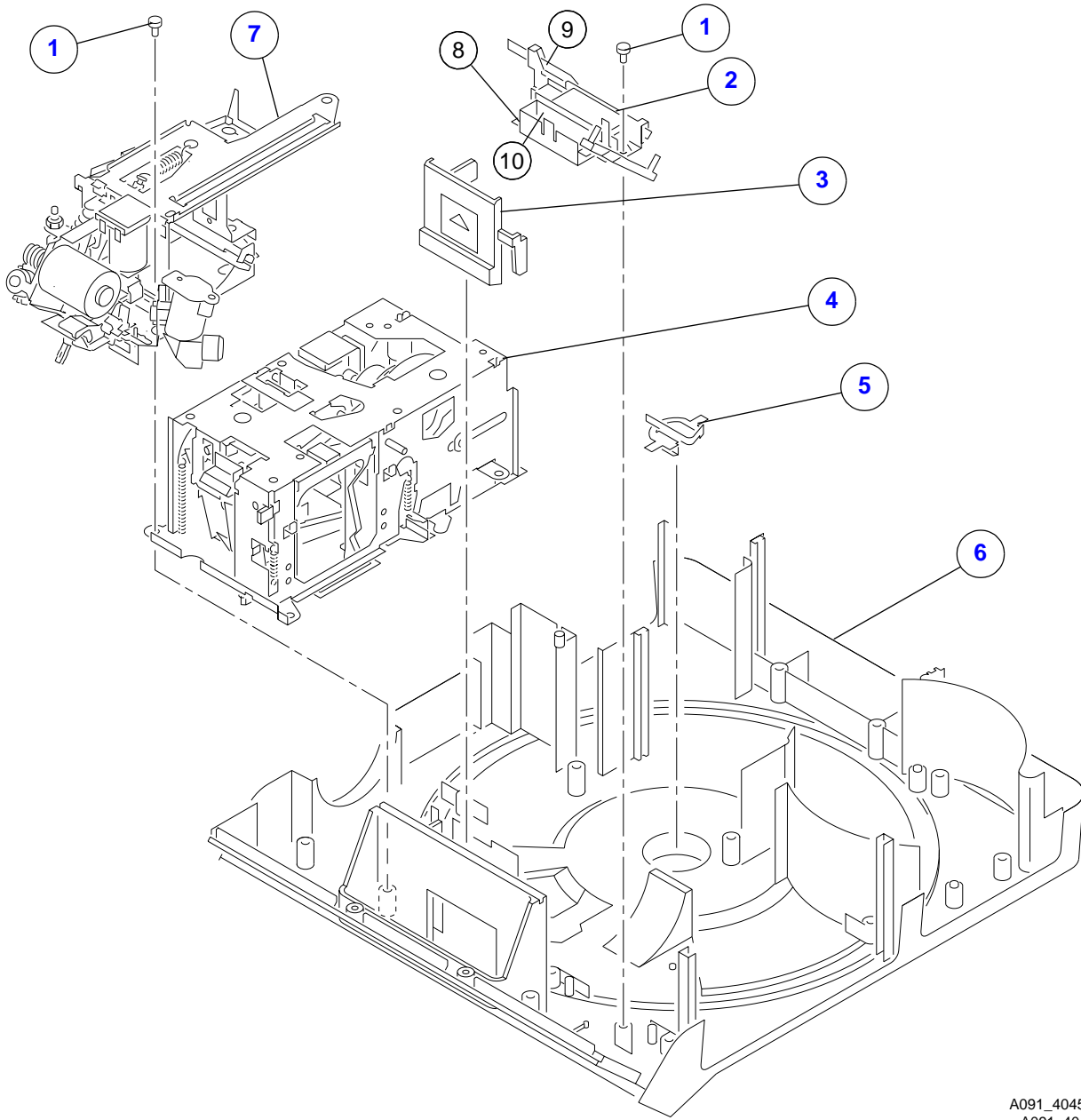


A100\_0021DCA  
A100\_0021DA

Figure 11 VIEWER FOCUS AY for the 5600, 5600-J, 5600-KK PROJECTORS

Item	Part No.	Description	Quantity	Notes
1	221319	RETAINER - viewfinder rack, 5600, 5600-KK, 5600-J, projectors	1	
2	227181	SPRING - viewfinder lens	1	
3	226844	GUIDE	1	Not included with the VIEWFINDER FOCUS AY.
4	221068	SPRING	1	
5	226922	FOCUS AY - viewfinder	1	
6	226768	SPRING - viewfinder rack	3	
7	221012	DRIVER - lens	1	

Figure 12 MECHANISM AY and TOP HOUSING AY

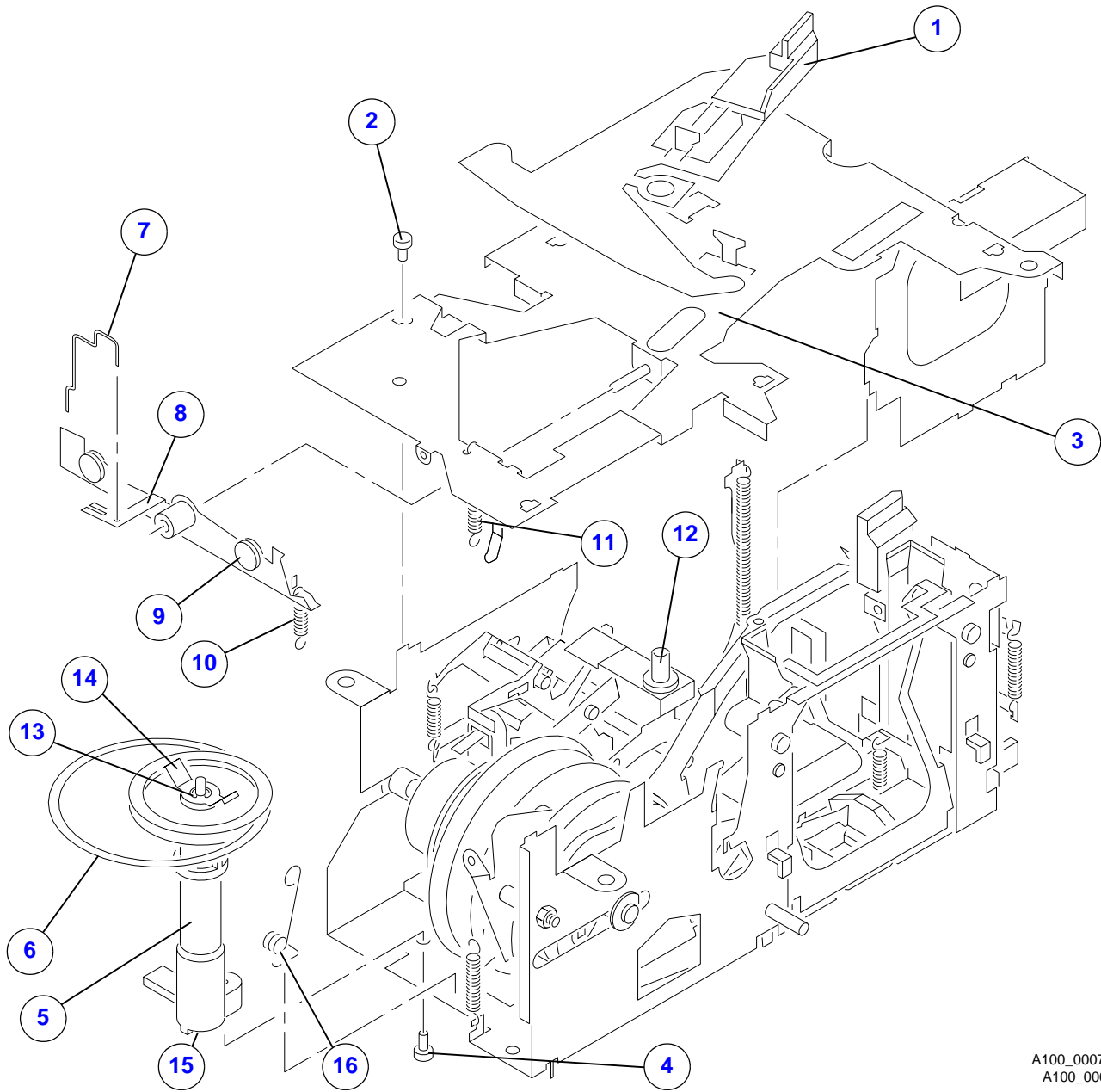


A091\_4045DCA  
A091\_4045DA

Figure 12 MECHANISM AY and TOP HOUSING AY

Item	Part No.	Description	Quantity	Notes
1	236541	SCREW	8	
	784335	SCREW - long repair	1	
2	217022	SWITCH - power	1	
3	223454	BUTTON - select	1	
4	259735	MECHANISM AY - non-auto focus, 4200, 4400 projectors	1	
	259736	MECHANISM AY - auto focus, 4600, 5600 projectors	1	
5	250739	KEY - spindle	1	
6	2E5900	HOUSING - top, 4200, 4200-J, 4400, 4600, 5600,5600-J projectors	1	
	5B5074	HOUSING - top, 4200-KK, 4600-KK, 5600-KK projectors	1	
7	488303	MOUNT AY - lens, 4400 projectors	1	
	988305	MOUNT AY - lens, 4600, 4600-KK projectors	1	
	255944	MOUNT AY - lens, 5600, 5600-J, 5600-KK projectors	1	
11	988302	MOUNT AY - lens, 4200, 4200-J, 4200-KK projectors	1	
	239814	SWITCH AY - cycle, with power switch	1	Not visible in graphic.
12	236908	BUTTON - top/select	1	Not visible in graphic.
13	255936	TIMER AY - 5600, 5600-J, 5600-KK projectors	1	Not visible in graphic.

Figure 13 MECHANISM AY and TOP PLATE AY



A100\_0007DCA  
A100\_0007DA

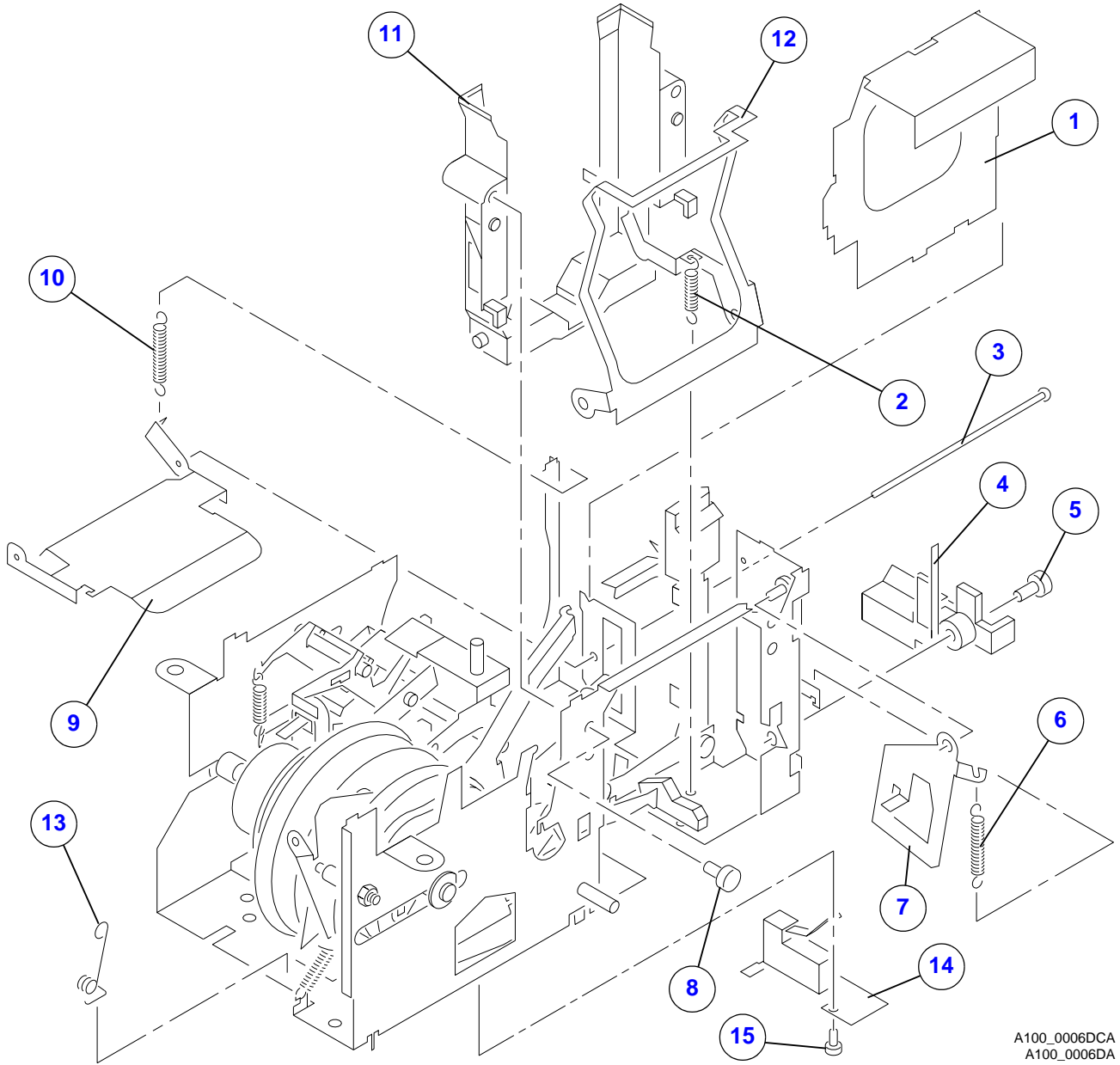
Figure 13 MECHANISM AY and TOP PLATE AY

Item	Part No.	Description	Quantity	Notes
1	221215	LEVER AY - indexer	1	
2	785130	SCREW	7	
3	784239	PLATE AY - top	1	
4	785130	SCREW	1	



Item	Part No.	Description	Quantity	Notes
5	221218	PULLEY AY - worm	1	
6	221254	BELT - mechanism	1	
7	231316	LINK	1	
8	232456	LEVER - direction	1	
9	231098	BUMPER - direction lever	1	
10	232458	SPRING - direction lever	1	
11	222355	SPRING	1	
12	250566	BUSHING	1	
13	128527	E-RING	1	
14	5B4634	SPRING - worm pulley	1	
15	221374	RETAINER - worm pulley	1	
16	5B4472	SPRING - retard	1	

Figure 14 MECHANISM AY and SHUTTER AND GATE AY

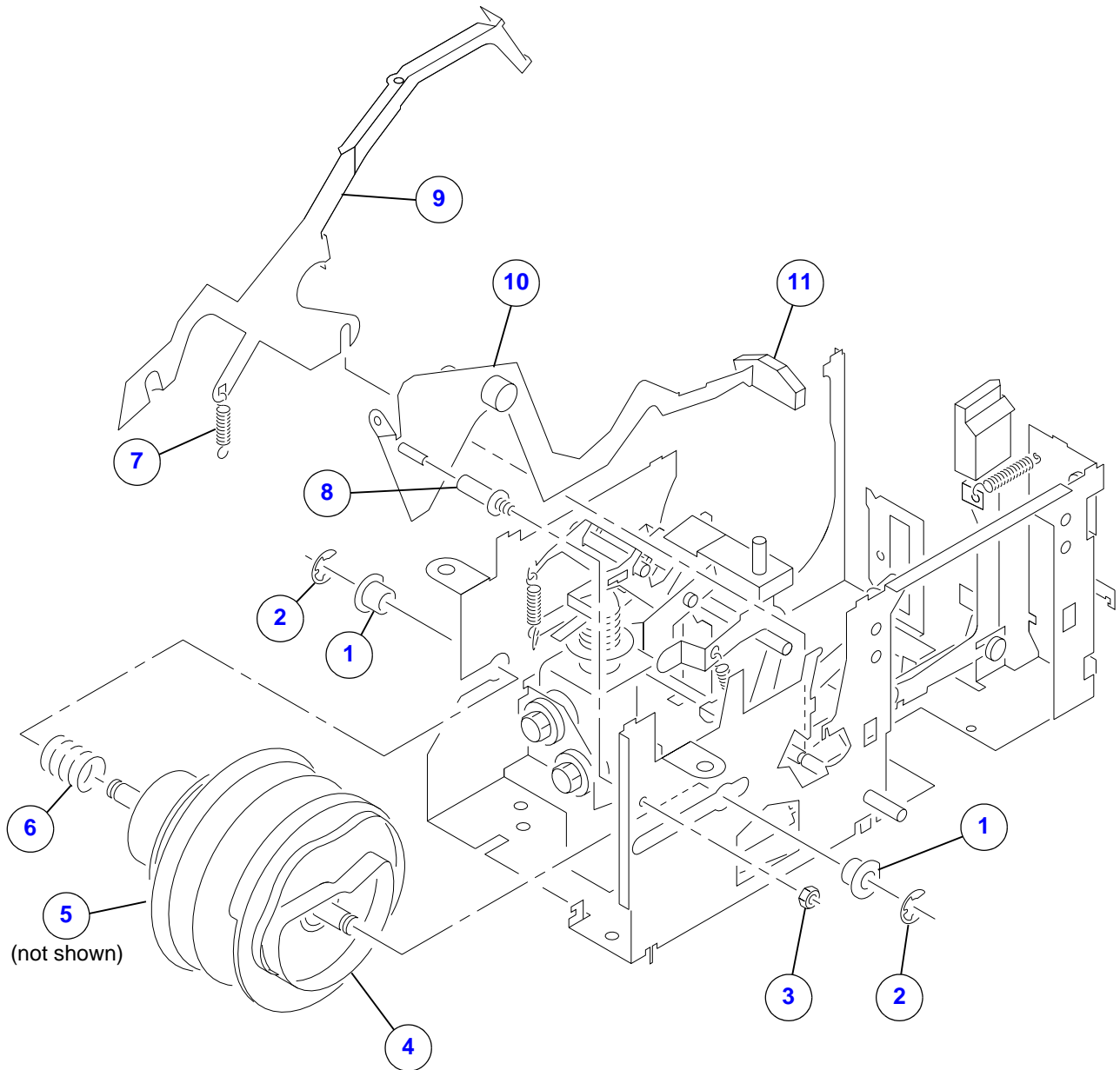


A100\_0006DCA  
A100\_0006DA

Figure 14 MECHANISM AY and SHUTTER AND GATE AY

Item	Part No.	Description	Quantity	Notes
1	6C1965	LIGHT - frame	1	
2	221106	SPRING - pressure pad	1	
3	188332	PIN - shutter	1	
4	221237	SWITCH AY - select	1	
5	785136	SCREW - select switch	1	
6	232115	SPRING - coil	1	
7	231702	LEVER - select switch	1	
8	236541	SCREW	2	
9	6C1964	SHUTTER	1	
10	207378	SPRING - shutter	1	
11	784053	GATE - mechanical frame	1	
12	223505	PAD - pressure, mechanical frame	1	
13	5B4472	SPRING - retard	1	
14	6C1937	SWITCH - auto focus, 4600, 5600, 4600-KK, 5600-J, 5600-KK projectors	1	
15	8B9763	SCREW	1	

Figure 15 MECHANISM AY and CAMSTACK AY

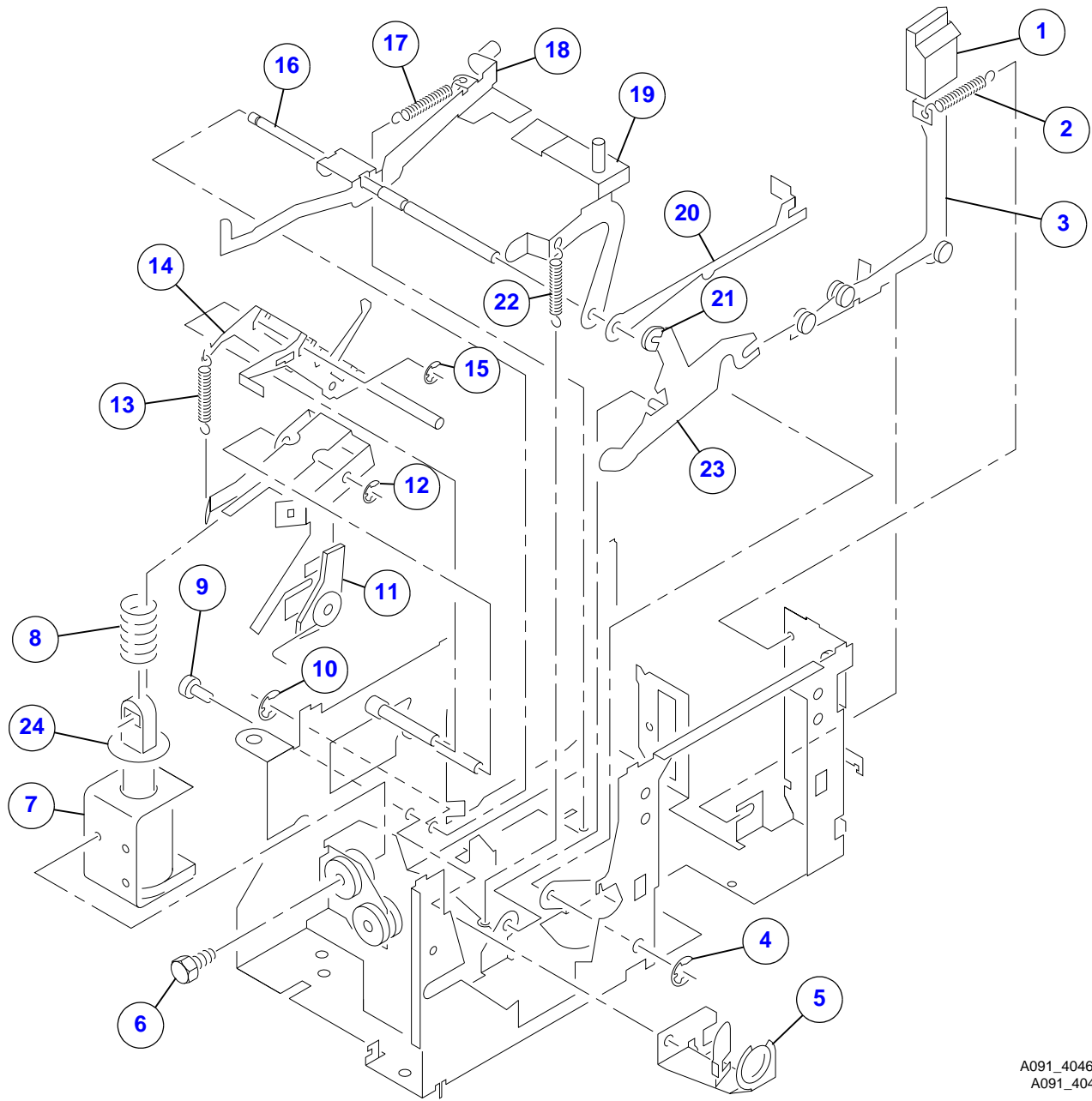


A100\_0025DCA  
A100\_0025DA

Figure 15 MECHANISM AY and CAMSTACK AY

Item	Part No.	Description	Quantity	Notes
1	221373	BEARING - cam shaft	2	
2	128527	E-RING	2	
3	166120	NUT	1	
4	257411	SHAFT AY - cam	1	
5	231700	SPRING - ratchet	1	
6	961672	SPRING - cam shaft	1	
7	221362	SPRING - select lever	1	
8	228911	BUSHING - select lever	1	
9	223568	LEVER - select	1	
10	784230	LEVER AY - slide lift	1	
11	231860	RAMP - slide lift lever	1	

Figure 16 MECHANISM AY and LEVERS

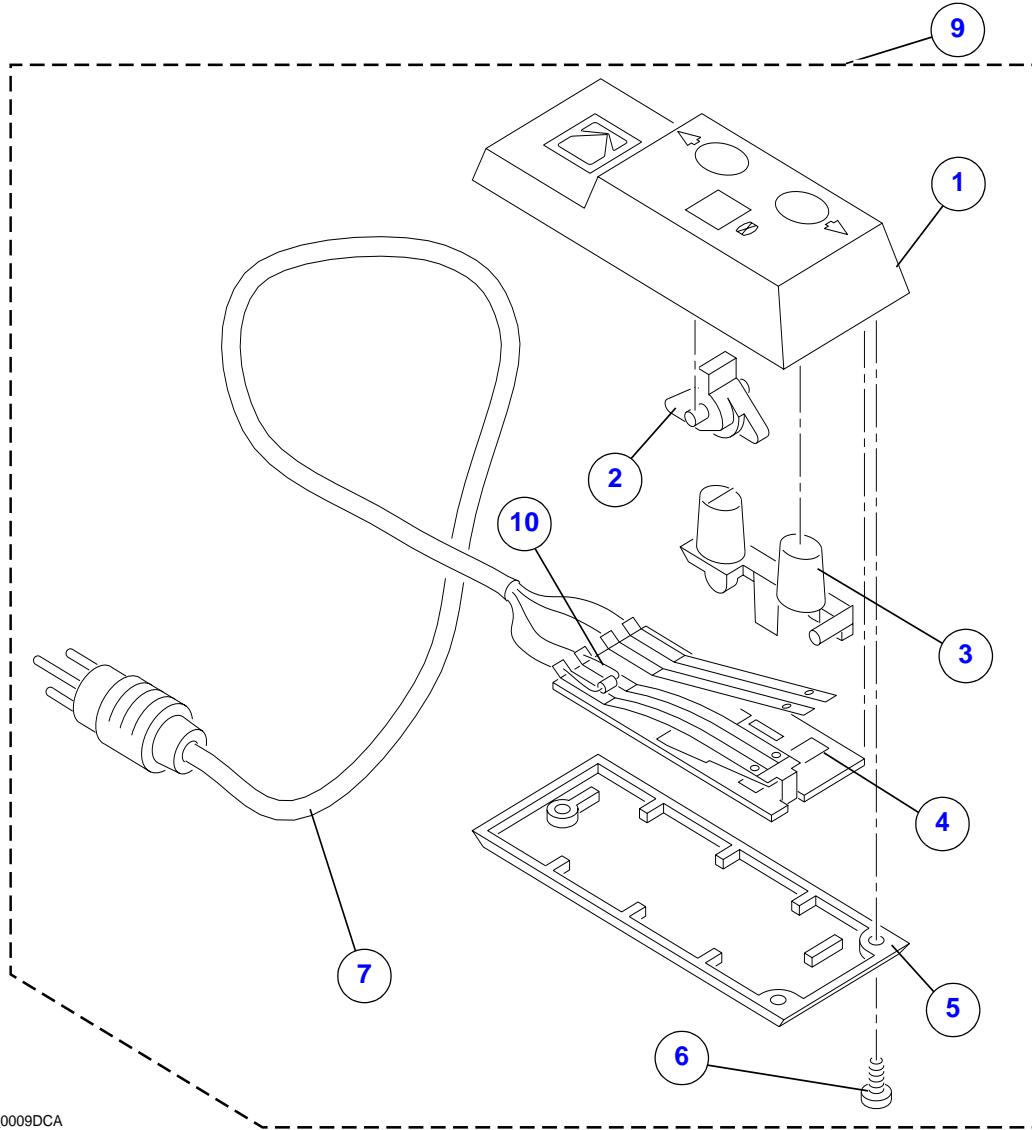


A091\_4046DCA  
A091\_4046DA

Figure 16 MECHANISM AY and LEVERS

Item	Part No.	Description	Quantity	Notes
1	221259	LOCATOR - locator lever ay	1	
2	221065	SPRING	1	
3	232123	LEVER AY - locator	1	
4	213526	E-RING	3	
5	232127	BRACKET AY - auto-focus, 4600, 5600 projectors	1	
6	250634	SCREW	2	
7	5B5146	SOLENOID AY - cycle	2	
8	226047	SPRING - solenoid	1	
9	166985	SCREW		
10	128527	E-RING	1	
11	232125	LEVER AY - cycle, 4200, 4400 projectors	1	
	232125	LEVER AY - cycle, 4600, 5600 projectors	1	
12	213526	E-RING	1	
13	232115	SPRING - coil	1	
14	232124	LEVER AY - half cycle	1	
15	213526	E-RING	1	
16	232126	SHAFT	1	
17	225916	SPRING - shutter lever	1	
18	221227	LEVER AY - shutter	1	
19	221220	LEVER AY - drive	1	
20	230795	LEVER - locator drive	1	
21	200687	FOLLOWER - drive lever	1	
22	225915	LEVER - spring indexer	1	
23	221343	LEVER AY - locator cam	1	
24	5B5148	ARM/LINK AY - solenoid plunger ay	1	

**Figure 17 REMOTE CONTROL EC3 for the 5600, 5600-J, 5600-KK PROJECTORS  
 REMOTE CONTROL EC2 for the 4400 PROJECTOR**



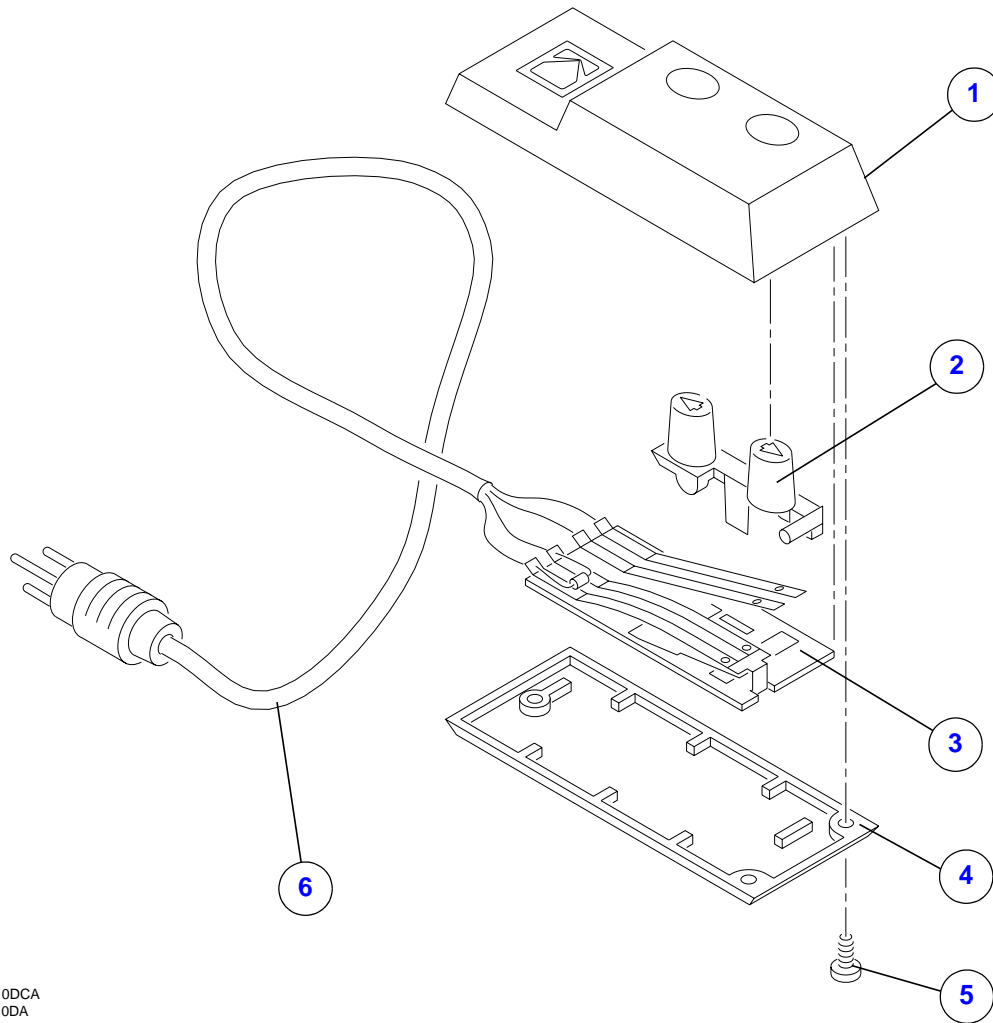
A100\_0009DCA  
 A100\_0009DA

**Figure 17 REMOTE CONTROL EC3 for the 5600, 5600-J, 5600-KK PROJECTORS  
REMOTE CONTROL EC2 for the 4400 PROJECTOR**

<b>Item</b>	<b>Part No.</b>	<b>Description</b>	<b>Quantity</b>	<b>Notes</b>
<b>1</b>	5B5271	HOUSING - top remote, EC3, EC2	1	
<b>2</b>	173718	BUTTON - focus, EC3	1	
	178389	BUTTON - focus, EC2	1	
<b>3</b>	3H7235	BUTTON - forward/reverse	1	
<b>4</b>	170750	CONTACT AY - remote EC2, 4400 projector	1	
	184929	CONTACT AY - remote EC3	1	
<b>5</b>	5B5267	HOUSING - bottom remote	1	
<b>6</b>	169836	SCREW	3	
<b>7</b>	170749	CORD - remote, EC2	1	
	184927	CORD - remote, EC3, 5600-KK, 5600-J projectors	1	
<b>8</b>	185636	LABEL - remote, EC3	1	Not visible in graphic. Listed in the Kodak Price Catalog.
<b>9</b>	---	REMOTE AY - complete	1	
<b>10</b>	221478	DIODE - formed	1	



Figure 18 REMOTE CONTROL EC1 for the 4200, 4200-J, 4200-KK, 4600, 4600-KK PROJECTORS

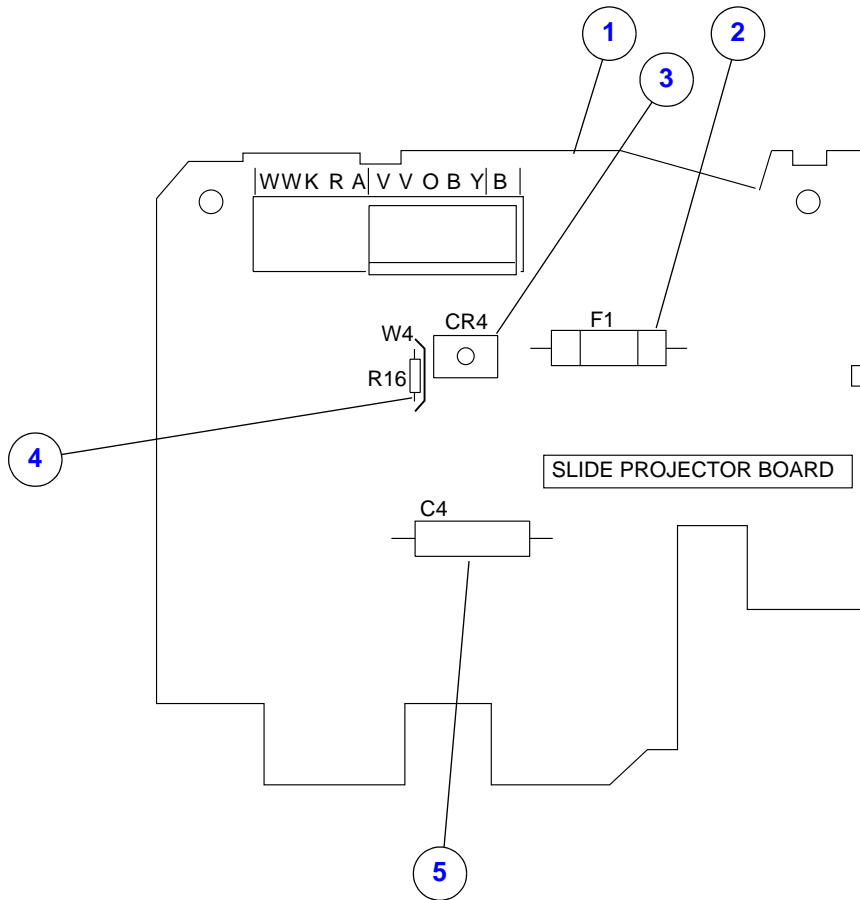


A100\_0010DCA  
A100\_0010DA

Figure 18 REMOTE CONTROL EC1 for the 4200, 4200-J, 4200-KK, 4600, 4600-KK PROJECTORS

Item	Part No.	Description	Quantity	Notes
1	2J4084	HOUSING - top remote, EC1	1	
2	3H7235	BUTTON - forward/reverse	1	
3	171055	CONTACT AY - remote, EC1	1	
4	5B5267	HOUSING - bottom remote	1	
5	169836	SCREW	1	
6	171054	CORD - remote	1	

Figure 19 COMPONENT BOARD AY for the 4200, 4200-J, 4200-KK, 4400 PROJECTORS

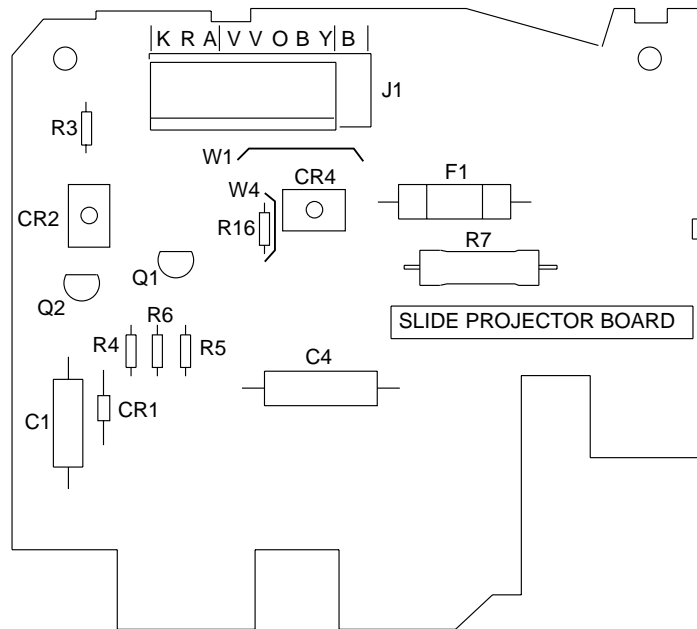


A091\_0025DCA  
A091\_0025DC

Figure 19 COMPONENT BOARD AY for the 4200, 4200-J, 4200-KK, 4400 PROJECTORS

Item	Part No.	Description	Quantity	Notes
1	256806	BOARD AY - component, 4200, 4200-J, 4200-KK, 4400 projectors	1	
2	256812	FUSE - 2 AG, 1 AMP, slow-blow	1	
3	256815	RECTIFIER - bridge, 1 AMP, 100 PIV, slow-blow	1	
4	226597	RESISTOR - 47 W, 1/4 W, W±5%	1	
5	243858	CAPACITOR - metalized, 0.22 mF, W±10%, 100 V dc	1	

Figure 20 COMPONENT BOARD AY for the 4600, 4600-K, 4600-KK PROJECTORS



A100\_0011HC

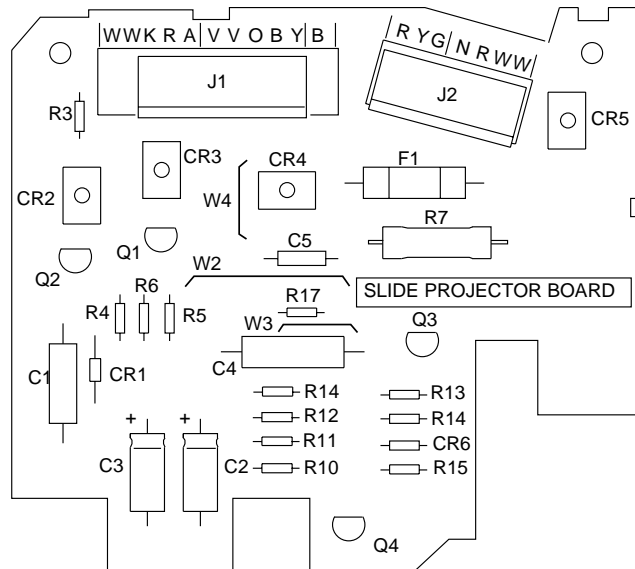
Figure 20 COMPONENT BOARD AY for the 4600, 4600-K, 4600-KK PROJECTORS

Item	Part No.	Description	Quantity	Notes
---	256807	BOARD AY - component, 4600, 4600-K, 4600-KK projectors	1	
C1	215888	CAPACITOR - metalized, 0.1 mF, W±10%, 100 V dc	1	
C4	243858	CAPACITOR - metalized, 0.22 mF, W±10%, 100 V dc	1	
CR1	226727	RECTIFIER - diode, 1N4005, 1 AMP, 600 PIV	1	

**ILLUSTRATED PARTS LIST**

<b>Item</b>	<b>Part No.</b>	<b>Description</b>	<b>Quantity</b>	<b>Notes</b>
CR2	256815	RECTIFIER - bridge, 1 AMP, 100 PIV, slow-blow	1	
CR4	256815	RECTIFIER - bridge, 1 AMP, 100 PIV, slow-blow	1	
F1	256812	FUSE - 2 AG, 1 AMP, slow-blow	1	
J1	256819	SOCKET - 9-line	1	
Q1	273500	TRANSISTOR - NPN, EBC, PN100	1	
Q2	222102	SCR	1	
R3	224791	RESISTOR - 39 k W, W $\pm$ 5%, 1/4 W	1	
R4	220051	RESISTOR - 270 W, W $\pm$ 5%, 1/4 W	1	
R5	223490	RESISTOR - 100 W, W $\pm$ 5%, 1/4 W	1	
R6	220044	RESISTOR - 1 k W, W $\pm$ 5%, 1/4 W	1	
R7	228939	RESISTOR - 82 W, W $\pm$ 5%, 2 W	1	
R16	226597	RESISTOR - 47 W, 1/4 W, W $\pm$ 5%	1	

Figure 21 COMPONENT BOARD AY for the 5600, 5600-J, 5600-KK PROJECTORS



A091\_4034DC

Figure 21 COMPONENT BOARD AY for the 5600, 5600-J, 5600-KK PROJECTORS

Item	Part No.	Description	Quantity	Notes
<b>1</b>	256809	BOARD AY - component, 5600, 5600-J, 5600-KK projectors	1	
<b>C1</b>	215888	CAPACITOR - metalized, 0.1 mF, W±10%, 100 V dc	1	
<b>C2</b>	225783	CAPACITOR - electrolytic, 10 mF ±10%, 50 V dc	1	
<b>C3</b>	215887	CAPACITOR - electrolytic, 2.2 mF, +75%, -10%, 50 V dc	1	
<b>C4</b>	243858	CAPACITOR - metalized, 0.22 mF, W±10%, 100 V dc	1	
<b>C5</b>	443451	CAPACITOR - ceramic, 0.1 mF, ±10%, 100 V dc - 5600, 5600-KK, 5600-J, medalist projectors	1	
<b>CR1</b>	226727	RECTIFIER - diode, 1N4005, 1 AMP, 600 PIV	1	
<b>CR2</b>	256815	RECTIFIER - bridge, 1 AMP, 100 PIV, slow-blow	1	
<b>CR3</b>	256815	RECTIFIER - bridge, 1 AMP, 100 PIV, slow-blow	1	
<b>CR4</b>	256815	RECTIFIER - bridge, 1 AMP, 100 PIV, slow-blow	1	
<b>CR5</b>	256815	RECTIFIER - bridge, 1 AMP, 100 PIV, slow-blow	1	
<b>CR6</b>	226727	RECTIFIER - diode, 1N4005, 1 AMP, 600 PIV	1	
<b>F1</b>	256812	FUSE - 2 AG, 1 AMP, slow-blow	1	

**ILLUSTRATED PARTS LIST**

Item	Part No.	Description	Quantity	Notes
J1	256819	SOCKET - 9-line	1	
J2	256817	SOCKET - 7-line	1	
Q1	273500	TRANSISTOR - NPN, EBC, PN100	1	
Q2	222102	SCR	1	
Q3	236751	SCR - 5600, 5600-J, 5600-KK projectors	1	
Q4	220137	TRANSISTOR - 2N6027 - 5400 and 5600 projectors	1	
R3	220045	RESISTOR - 18 k W, W±5%, 1/4 W	1	
R4	220051	RESISTOR - 270 W, W±5%, 1/4 W	1	
R5	223490	RESISTOR - 100 W, W±5%, 1/4 W	1	
R6	220044	RESISTOR - 1 k W, W±5%, 1/4 W	1	
R7	228939	RESISTOR - 82 W, W±5%, 2 W	1	
R10	220051	RESISTOR - 270 W, W±5%, 1/4 W	1	
R11	220045	RESISTOR - 18 k W, W±5%, 1/4 W	1	
R12	220054	RESISTOR - 10 K W, 1/4 W, W±5%	1	
R13	220054	RESISTOR - 10 K W, 1/4 W, W±5%	1	
R14	221760	RESISTOR - 4.7 M W, W±5%, 1/4 W - 5400 and 5600 projectors	1	
R15	220040	RESISTOR - 68 k W, W±5%, 1/4 W	1	
R16	226597	RESISTOR - 47 W, 1/4 W, W±5%	1	Not visible in graphic.
R17	223490	RESISTOR - 100 W, W±5%, 1/4 W	1	

## Section 2: Numerical Index

Numerical Index		
Part No.	Description	Figure No.
---	CAPACITOR	<a href="#">6</a>
---	LAMP - ANSI code, FHS	<a href="#">4</a>
---	REMOTE AY - complete	<a href="#">17</a>
128527	E-RING	<a href="#">13, 15, 16, 8, 9</a>
129795	E-RING	<a href="#">2</a>
145051	FUSE - 4200-KK, 4600-KK, 5600-KK projectors	<a href="#">6</a>
166072	NUT - clamp lever, 5600, 5600-J, 5600-KK projectors	<a href="#">10</a>
166120	NUT	<a href="#">15</a>
166985	SCREW	<a href="#">16</a>
169836	SCREW	<a href="#">17, 18</a>
170749	CORD - remote, EC2	<a href="#">17</a>
170750	CONTACT AY - remote EC2, 4400 projector	<a href="#">17</a>
171054	CORD - remote	<a href="#">18</a>
171055	CONTACT AY - remote, EC1	<a href="#">18</a>
173718	BUTTON - focus, EC3	<a href="#">17</a>
176252	SCREW	<a href="#">10</a>
178389	BUTTON - focus, EC2	<a href="#">17</a>
184927	CORD - remote, EC3, 5600-KK, 5600-J projectors	<a href="#">17</a>
184929	CONTACT AY - remote EC3	<a href="#">17</a>
185636	LABEL - remote, EC3	<a href="#">17</a>
188332	PIN - shutter	<a href="#">14</a>
196434	BUSHING	<a href="#">10</a>
200687	FOLLOWER - drive lever	<a href="#">16</a>
205342	LABEL - serial number, U.S. projectors	<a href="#">2</a>
207279	BRACKET	<a href="#">8, 9</a>
207378	SPRING - shutter	<a href="#">14</a>
213526	E-RING	<a href="#">16</a>
215178	GROMMET	<a href="#">6</a>
215242	SCREW	<a href="#">6</a>
215887	CAPACITOR - electrolytic, 2.2 mF, +75%, -10%, 50 V dc	<a href="#">21</a>
215888	CAPACITOR - metalized, 0.1 mF, W $\pm$ 10%, 100 V dc	<a href="#">20, 21</a>
217022	SWITCH - power	<a href="#">12</a>
219134	FILTER - photocell	<a href="#">10</a>
220040	RESISTOR - 68 k W, W $\pm$ 5%, 1/4 W	<a href="#">21</a>
220044	RESISTOR - 1 k W, W $\pm$ 5%, 1/4 W	<a href="#">20, 21</a>
220045	RESISTOR - 18 k W, W $\pm$ 5%, 1/4 W	<a href="#">21</a>
220051	RESISTOR - 270 W, W $\pm$ 5%, 1/4 W	<a href="#">20, 21</a>
220054	RESISTOR - 10 K W, 1/4 W, W $\pm$ 5%	<a href="#">21</a>
220137	TRANSISTOR - 2N6027 - 5400 and 5600 projectors	<a href="#">21</a>
221010	MASK - photocell	<a href="#">10</a>
221012	DRIVER - lens	<a href="#">11</a>
221014	SCREEN	<a href="#">3</a>
221018	DRAWER - viewer	<a href="#">3</a>
221022	RACK - photocell, all projectors	<a href="#">10</a>
221032	BEARING - lens support, all projectors	<a href="#">10</a>
221041	LEVER - auto focus	<a href="#">9</a>

## Numerical Index

Part No.	Description	Figure No.
221051	SCREW - 5600, 5600-J, 5600-KK projectors	<a href="#">10</a>
221053	SPRING	<a href="#">3</a>
221054	SPRING	<a href="#">3</a>
221065	SPRING	<a href="#">16</a>
221068	SPRING	<a href="#">11</a>
221075	MOTOR - U.S., all other standard projectors	<a href="#">6</a>
221096	SPRING - clamp lever, 5600, 5600-J, 5600-KK projectors	<a href="#">10</a>
221097	SPRING - photocell bracket	<a href="#">10, 9</a>
221099	SPRING - photocell rack, all projectors	<a href="#">10</a>
221106	SPRING - pressure pad	<a href="#">14</a>
221133	SPRING - elevation	<a href="#">2</a>
221160	KNOB - elevation	<a href="#">2</a>
221173	SWITCH - auto focus, 5600-J, 5600-KK, medalist I projectors	<a href="#">9</a>
221215	LEVER AY - indexer	<a href="#">13</a>
221218	PULLEY AY - worm	<a href="#">13</a>
221220	LEVER AY - drive	<a href="#">16</a>
221223	PLATE - elevation	<a href="#">2</a>
221227	LEVER AY - shutter	<a href="#">16</a>
221237	SWITCH AY - select	<a href="#">14</a>
221252	ELEVATION AY	<a href="#">2</a>
221254	BELT - mechanism	<a href="#">13</a>
221259	LOCATOR - locator lever ay	<a href="#">16</a>
221285	BAFFLE - upper light	<a href="#">7</a>
221319	RETAINER - viewfinder rack, 5600, 5600-KK, 5600-J, projectors	<a href="#">11</a>
221331	HOUSING - photocell	<a href="#">10</a>
221343	LEVER AY - locator cam	<a href="#">16</a>
221362	SPRING - select lever	<a href="#">15</a>
221373	BEARING - cam shaft	<a href="#">15</a>
221374	RETAINER - worm pulley	<a href="#">13</a>
221377	LEVER - clamp, 5600, 5600-J, 5600-KK projectors	<a href="#">10</a>
221381	RECEPTACLE - lamp	<a href="#">7</a>
221392	PAD AY - clamp	<a href="#">10</a>
221394	CLAMP - 5600, 5600-J, 5600-KK projectors	<a href="#">10</a>
221395	PLUNGER - rack solenoid, 5600, 5600-J, 5600-KK projectors	<a href="#">10</a>
221419	TRACK - left	<a href="#">7</a>
221478	DIODE - formed	<a href="#">17</a>
221760	RESISTOR - 4.7 M W, W±5%, 1/4 W - 5400 and 5600 projectors	<a href="#">21</a>
222102	SCR	<a href="#">20, 21</a>
222355	SPRING	<a href="#">13</a>
223454	BUTTON - select	<a href="#">12</a>
223490	RESISTOR - 100 W, W±5%, 1/4 W	<a href="#">20, 21</a>
223505	PAD - pressure, mechanical frame	<a href="#">14</a>
223568	LEVER - select	<a href="#">15</a>
224791	RESISTOR - 39 k W, W±5%, 1/4 W	<a href="#">20</a>
225783	CAPACITOR - electrolytic, 10 mF ±10%, 50 V dc	<a href="#">21</a>
225915	LEVER - spring indexer	<a href="#">16</a>
225916	SPRING - shutter lever	<a href="#">16</a>
226047	SPRING - solenoid	<a href="#">16</a>



## Numerical Index

Part No.	Description	Figure No.
226061	SHAFT AY - worm	<a href="#">8, 9</a>
226075	FUSE - thermal	<a href="#">7</a>
226079	LEVELING AY	<a href="#">2</a>
226082	KNOB - focus	<a href="#">1</a>
226084	RAIL - lens support	<a href="#">8, 9</a>
226597	RESISTOR - 47 W, 1/4 W, W±5%	<a href="#">21</a>
226597	RESISTOR - 47 W, 1/4 W, W±5%	<a href="#">19, 20</a>
226702	SPRING - lens mount	<a href="#">8, 9</a>
226727	RECTIFIER - diode, 1N4005, 1 AMP, 600 PIV	<a href="#">20, 21</a>
226768	SPRING - viewfinder rack	<a href="#">11</a>
226844	GUIDE	<a href="#">11</a>
226922	FOCUS AY - viewfinder	<a href="#">11</a>
227132	VARISTOR - motor, 4600, 5600 projectors	<a href="#">6</a>
227181	SPRING - viewfinder lens	<a href="#">11</a>
227400	RESISTOR - dropping	<a href="#">7</a>
228911	BUSHING - select lever	<a href="#">15</a>
228939	RESISTOR - 82 W, W±5%, 2 W	<a href="#">20, 21</a>
229364	BUTTON - elevation	<a href="#">2</a>
230795	LEVER - locator drive	<a href="#">16</a>
231098	BUMPER - direction lever	<a href="#">13</a>
231316	LINK	<a href="#">13</a>
231687	LEVER - elevation	<a href="#">2</a>
231700	SPRING - ratchet	<a href="#">15</a>
231702	LEVER - select switch	<a href="#">14</a>
231783	PAD - lens mount	<a href="#">8, 9</a>
231787	BRACKET - lens support	<a href="#">8, 9</a>
231788	SPRING - focus shaft	<a href="#">8, 9</a>
231792	SHAFT AY - focus	<a href="#">8, 9</a>
231860	RAMP - slide lift lever	<a href="#">15</a>
232011	RECEPTACLE - remote	<a href="#">6</a>
232115	SPRING - coil	<a href="#">14, 16</a>
232123	LEVER AY - locator	<a href="#">16</a>
232124	LEVER AY - half cycle	<a href="#">16</a>
232125	LEVER AY - cycle, 4200, 4400 projectors	<a href="#">16</a>
232125	LEVER AY - cycle, 4600, 5600 projectors	<a href="#">16</a>
232126	SHAFT	<a href="#">16</a>
232127	BRACKET AY - auto-focus, 4600, 5600 projectors	<a href="#">16</a>
232456	LEVER - direction	<a href="#">13</a>
232458	SPRING - direction lever	<a href="#">13</a>
232954	LATCH - storage door	<a href="#">6</a>
232994	WALL - stabilizer	<a href="#">6</a>
235849	EJECTOR - lamp	<a href="#">4, 5</a>
236056	DUCT - pre-heat	<a href="#">7</a>
236070	FAN AY	<a href="#">7</a>
236076	MOUNT AY - lens, 5600, 5600-J, 5600-KK projectors	<a href="#">9</a>
236078	COVER AY - blower	<a href="#">7</a>
236541	SCREW	<a href="#">12, 14, 4, 7, 8</a>
236625	MOUNT AY - lens, 4600, 4600-KK projectors	<a href="#">9</a>

## Numerical Index

Part No.	Description	Figure No.
236751	SCR - 5600, 5600-J, 5600-KK projectors	<a href="#">21</a>
236908	BUTTON - top/select	<a href="#">12</a>
239313	SPRING - door latch	<a href="#">5</a>
239314	LATCH - door	<a href="#">5</a>
239813	SPRING - door latch	<a href="#">4</a>
239814	SWITCH AY - cycle, with power switch	<a href="#">12, 4</a>
243858	CAPACITOR - metalized, 0.22 mF, W±10%, 100 V dc	<a href="#">19, 20, 21</a>
250081	BAFFLE	<a href="#">7</a>
250083	TRACK - right	<a href="#">7</a>
250566	BUSHING	<a href="#">13</a>
250634	SCREW	<a href="#">16</a>
250739	KEY - spindle	<a href="#">12</a>
251669	DAMPENER - foam, 4200-KK, 4600-KK, 5600-KK projectors	<a href="#">6</a>
251699	INSULATOR - 4200-KK, 4600-KK, 5600-KK projectors	<a href="#">6</a>
251708	HOUSING - fuse, 4200-KK, 4600-KK, 5600-KK projectors	<a href="#">6</a>
253789	SCREW - 5600, 5600-J, 5600-KK projectors	<a href="#">10</a>
254379	SCREW - hex, button	<a href="#">2</a>
254442	SCREW - base	<a href="#">2</a>
254443	SCREW - 4200-KK and 5600 projectors	<a href="#">7</a>
254758	CLIP - retainer	<a href="#">7</a>
254759	BLOWER AY - fan shaft	<a href="#">7</a>
255936	TIMER AY - 5600, 5600-J, 5600-KK projectors	<a href="#">12</a>
255944	MOUNT AY - lens, 5600, 5600-J, 5600-KK projectors	<a href="#">12</a>
256801	BOARD AY - component, 4200, 4200-J, 4200-KK, 4400 projectors	<a href="#">6</a>
256806	BOARD AY - component, 4200, 4200-J, 4200-KK, 4400 projectors	<a href="#">19</a>
256807	BOARD AY - component, 4600, 4600-K, 4600-KK projectors	<a href="#">20, 6</a>
256809	BOARD AY - component, 5600, 5600-J, 5600-KK projectors	<a href="#">21, 6</a>
256812	FUSE - 2 AG, 1 AMP, slow-blow	<a href="#">19, 20, 21</a>
256815	RECTIFIER - bridge, 1 AMP, 100 PIV, slow-blow	<a href="#">19, 20, 21</a>
256817	SOCKET - 7-line	<a href="#">21</a>
256819	SOCKET - 9-line	<a href="#">20, 21</a>
257411	SHAFT AY - cam	<a href="#">15</a>
259460	CORD - power, 4200-J, 5600-J projectors	<a href="#">2</a>
259556	SCREW	<a href="#">4, 5</a>
259735	MECHANISM AY - non-auto focus, 4200, 4400 projectors	<a href="#">12</a>
259736	MECHANISM AY - auto focus, 4600, 5600 projectors	<a href="#">12</a>
259748	TERMINAL AY - lamp socket	<a href="#">4, 5</a>
273500	TRANSISTOR - NPN, EBC, PN100	<a href="#">20, 21</a>
2B5163	RACK AY - solenoid, 5600, 5600-J, 5600-KK projectors	<a href="#">10</a>
2B5832	PLATE AY - lamp and door	<a href="#">5</a>
2B7754	MIRROR	<a href="#">5</a>
2E5900	HOUSING - top, 4200, 4200-J, 4400, 4600, 5600, 5600-J projectors	<a href="#">12</a>
2E5901	HOUSING - lower, 4200, 4200-J, 4400, 4600 projectors	<a href="#">2</a>
2J4084	HOUSING - top remote, EC1	<a href="#">18</a>
2J6317	HOUSING - lower, 5600, 5600-J projectors	<a href="#">2</a>
2J6630	BELT - fan drive	<a href="#">6, 7</a>
3B0158	SLIDER - power/timer switch	<a href="#">1</a>
3B0160	INTERFACE - power/timer	<a href="#">1</a>

## Numerical Index

Part No.	Description	Figure No.
3B0161	BUTTON - forward	<a href="#">1</a>
3B0162	BUTTON - reverse	<a href="#">1</a>
3H6864	LABEL - data, U.S. projectors	<a href="#">2</a>
3H7235	BUTTON - forward/reverse	<a href="#">17, 18</a>
443451	CAPACITOR - ceramic, 0.1 mF, $\pm 10\%$ , 100 V dc - 5600, 5600-KK, 5600-J, medalist projectors	<a href="#">21</a>
488303	MOUNT AY - lens, 4400 projectors	<a href="#">12</a>
4B0396	BRACKET - lens mount	<a href="#">9</a>
543384	SPACER	<a href="#">8, 9</a>
5B4472	SPRING - retard	<a href="#">13, 14</a>
5B4634	SPRING - worm pulley	<a href="#">13</a>
5B4638	MODULE - transformer, complete, 4200-KK, 4600-KK, 5600-KK projectors	<a href="#">6</a>
5B4641	MIRROR - mount, 5600, 5600-J, 5600-KK projectors	<a href="#">3</a>
5B4642	SCREEN - frame, 5600, 5600-J, 5600-KK projectors	<a href="#">3</a>
5B4644	DRAWER AY - viewer, 5600, 5600-J, 5600-KK, medalist I projectors	<a href="#">3</a>
5B5038	DOOR - storage	<a href="#">6</a>
5B5042	GRILLE AY - 4200, 4200-J, 4200-KK, 4400, 4600, 4600-KK projectors	<a href="#">6</a>
5B5045	DOOR - lamp module	<a href="#">4</a>
5B5046	LIGHT - door reading	<a href="#">4</a>
5B5047	PLATE AY - lamp and door	<a href="#">4</a>
5B5058	GRILLE AY - 5600, 5600-J projectors	<a href="#">6</a>
5B5064	HOUSING - lower, 5600-KK projector	<a href="#">2</a>
5B5066	GRILLE AY - 5600-KK projector	<a href="#">6</a>
5B5074	HOUSING - top, 4200-KK, 4600-KK, 5600-KK projectors	<a href="#">12</a>
5B5146	SOLENOID AY - cycle	<a href="#">16</a>
5B5148	ARM/LINK AY - solenoid plunger ay	<a href="#">16</a>
5B5267	HOUSING - bottom remote	<a href="#">17, 18</a>
5B5271	HOUSING - top remote, EC3, EC2	<a href="#">17</a>
5B5599	PAD - cork	<a href="#">10</a>
5B5621	LABEL - 4200-KK, 4600-KK, 5600-KK projectors	<a href="#">7</a>
5B5625	DOOR - lamp module	<a href="#">5</a>
5B5808	BRACKET - lens mount, 4200 and 4400 projectors	<a href="#">8</a>
5B5830	SCREW	<a href="#">7</a>
5B5831	MODULE AY - extra bright, lamp	<a href="#">4, 5</a>
5B5894	MOTOR - pulley, U.S. projectors	<a href="#">6</a>
628104	LAMP - ANSI code, FHS	<a href="#">5</a>
628154	MIRROR - lamp module	<a href="#">4</a>
628305	LENS - condenser	<a href="#">4, 5</a>
628491	LENS - heat absorbing	<a href="#">4</a>
628582	LENS - reading light	<a href="#">4</a>
691662	FUSE - main, 2.5 AMP, 250 V - 4200-KK, 4600-KK, 5600-KK projectors	<a href="#">7</a>
6C0907	PANEL - control, 4200 projector, long life only	<a href="#">1</a>
6C0908	PANEL - control, 4400 projector, long life only	<a href="#">1</a>
6C0909	PANEL - control, 4600 projector, long life only	<a href="#">1</a>
6C0910	PANEL - control, 5600 projector, long life only	<a href="#">1</a>
6C1825	SCREW	<a href="#">6, 8, 9</a>
6C1937	SWITCH - auto focus, 4600, 5600, 4600-KK, 5600-J, 5600-KK projectors	<a href="#">14</a>
6C1964	SHUTTER	<a href="#">14</a>

## Numerical Index

Part No.	Description	Figure No.
6C1965	LIGHT - frame	<a href="#">14</a>
784053	GATE - mechanical frame	<a href="#">14</a>
784230	LEVER AY - slide lift	<a href="#">15</a>
784239	PLATE AY - top	<a href="#">13</a>
784335	SCREW - long repair	<a href="#">12</a>
785004	LABEL - serial number, 4200-J, 5600-J projectors	<a href="#">2</a>
785130	SCREW	<a href="#">13, 5</a>
785136	SCREW - select switch	<a href="#">14</a>
7C3453	HOUSING - lower, 4200-KK, 4600-KK projectors	<a href="#">2</a>
7C3457	COVER AY - cord wrap	<a href="#">2</a>
7C3470	CORD - power, U.S. projectors	<a href="#">2</a>
7C3585	COVER - viewer screen, 5600 projector only	<a href="#">6</a>
7C9441	CIRCUIT BOARD - photocell, all auto focus projectors	<a href="#">10</a>
7C9783	MOTOR - 4200-J, 5600-J, standard projectors	<a href="#">6</a>
7C9785	MOTOR - 4200-J, 5600-J, long life projectors	<a href="#">6</a>
7C9786	MOTOR - U.S., all other long life projectors	<a href="#">6</a>
893402	FOOT	<a href="#">2</a>
8B9763	SCREW	<a href="#">14</a>
8B9864	LIGHT - door reading	<a href="#">5</a>
941962	CORD - power, 4200-KK, 4600-KK, 5600-KK projectors	<a href="#">2</a>
941963	TRANSFORMER - 4200-KK, 4600-KK, 5600-KK projectors	<a href="#">6</a>
941993	POWER INLET SOCKET - 4200-KK, 4600-KK, 5600-KK projectors	<a href="#">7</a>
941999	LABEL - serial number, 4200-KK, 4600-KK, 5600-KK projectors	<a href="#">2</a>
961672	SPRING - cam shaft	<a href="#">15</a>
961757	MOTOR - focus	<a href="#">8</a>
961757	MOTOR, focus	<a href="#">9</a>
961758	BRACKET - focus motor	<a href="#">8</a>
961759	COVER - focus motor	<a href="#">8, 9</a>
961760	BRACKET - focus motor, 4600 projector	<a href="#">9</a>
961848	SCREW	<a href="#">8, 9</a>
988302	MOUNT AY - lens, 4200, 4200-J, 4200-KK projectors	<a href="#">12, 8</a>
988303	MOUNT AY - lens, 4400 projector	<a href="#">8</a>
988305	MOUNT AY - lens, 4600, 4600-KK projectors	<a href="#">12</a>
989232	SYMBOL - corporate	<a href="#">6</a>
989237	MODULE - voltage, 4200-KK, 4600-KK, 5600-KK projectors	<a href="#">6</a>

## Section 3: Alphabetical Index

### Alphabetical Index

Part No.	Description	Figure No.
5B5148	ARM/LINK AY - solenoid plunger ay	<a href="#">16</a>
250081	BAFFLE	<a href="#">7</a>
221285	BAFFLE - upper light	<a href="#">7</a>
221373	BEARING - cam shaft	<a href="#">15</a>
221032	BEARING - lens support, all projectors	<a href="#">10</a>
2J6630	BELT - fan drive	<a href="#">6, 7</a>
221254	BELT - mechanism	<a href="#">13</a>
254759	BLOWER AY - fan shaft	<a href="#">7</a>
256801	BOARD AY - component, 4200, 4200-J, 4200-KK, 4400 projectors	<a href="#">6</a>
256806	BOARD AY - component, 4200, 4200-J, 4200-KK, 4400 projectors	<a href="#">19</a>
256807	BOARD AY - component, 4600, 4600-K, 4600-KK projectors	<a href="#">20, 6</a>
256809	BOARD AY - component, 5600, 5600-J, 5600-KK projectors	<a href="#">21, 6</a>
207279	BRACKET	<a href="#">8, 9</a>
961758	BRACKET - focus motor	<a href="#">8</a>
961760	BRACKET - focus motor, 4600 projector	<a href="#">9</a>
4B0396	BRACKET - lens mount	<a href="#">9</a>
5B5808	BRACKET - lens mount, 4200 and 4400 projectors	<a href="#">8</a>
231787	BRACKET - lens support	<a href="#">8, 9</a>
232127	BRACKET AY - auto-focus, 4600, 5600 projectors	<a href="#">16</a>
231098	BUMPER - direction lever	<a href="#">13</a>
196434	BUSHING	<a href="#">10</a>
250566	BUSHING	<a href="#">13</a>
228911	BUSHING - select lever	<a href="#">15</a>
229364	BUTTON - elevation	<a href="#">2</a>
178389	BUTTON - focus, EC2	<a href="#">17</a>
173718	BUTTON - focus, EC3	<a href="#">17</a>
3B0161	BUTTON - forward	<a href="#">1</a>
3H7235	BUTTON - forward/reverse	<a href="#">17, 18</a>
3B0162	BUTTON - reverse	<a href="#">1</a>
223454	BUTTON - select	<a href="#">12</a>
236908	BUTTON - top/select	<a href="#">12</a>
---	CAPACITOR	<a href="#">6</a>
443451	CAPACITOR - ceramic, 0.1 mF, $\pm 10\%$ , 100 V dc - 5600, 5600-KK, 5600-J, medalist projectors	<a href="#">21</a>
225783	CAPACITOR - electrolytic, 10 mF $\pm 10\%$ , 50 V dc	<a href="#">21</a>
215887	CAPACITOR - electrolytic, 2.2 mF, +75%, -10%, 50 V dc	<a href="#">21</a>
215888	CAPACITOR - metalized, 0.1 mF, $W \pm 10\%$ , 100 V dc	<a href="#">20, 21</a>
243858	CAPACITOR - metalized, 0.22 mF, $W \pm 10\%$ , 100 V dc	<a href="#">19, 20, 21</a>
7C9441	CIRCUIT BOARD - photocell, all auto focus projectors	<a href="#">10</a>
221394	CLAMP - 5600, 5600-J, 5600-KK projectors	<a href="#">10</a>
254758	CLIP - retainer	<a href="#">7</a>
170750	CONTACT AY - remote EC2, 4400 projector	<a href="#">17</a>
184929	CONTACT AY - remote EC3	<a href="#">17</a>
171055	CONTACT AY - remote, EC1	<a href="#">18</a>
259460	CORD - power, 4200-J, 5600-J projectors	<a href="#">2</a>
941962	CORD - power, 4200-KK, 4600-KK, 5600-KK projectors	<a href="#">2</a>

## Alphabetical Index

Part No.	Description	Figure No.
7C3470	CORD - power, U.S. projectors	<a href="#">2</a>
171054	CORD - remote	<a href="#">18</a>
170749	CORD - remote, EC2	<a href="#">17</a>
184927	CORD - remote, EC3, 5600-KK, 5600-J projectors	<a href="#">17</a>
961759	COVER - focus motor	<a href="#">8, 9</a>
7C3585	COVER - viewer screen, 5600 projector only	<a href="#">6</a>
236078	COVER AY - blower	<a href="#">7</a>
7C3457	COVER AY - cord wrap	<a href="#">2</a>
251669	DAMPENER - foam, 4200-KK, 4600-KK, 5600-KK projectors	<a href="#">6</a>
221478	DIODE - formed	<a href="#">17</a>
5B5045	DOOR - lamp module	<a href="#">4</a>
5B5625	DOOR - lamp module	<a href="#">5</a>
5B5038	DOOR - storage	<a href="#">6</a>
221018	DRAWER - viewer	<a href="#">3</a>
5B4644	DRAWER AY - viewer, 5600, 5600-J, 5600-KK, medalist I projectors	<a href="#">3</a>
221012	DRIVER - lens	<a href="#">11</a>
236056	DUCT - pre-heat	<a href="#">7</a>
128527	E-RING	<a href="#">13, 15, 16, 8, 9</a>
129795	E-RING	<a href="#">2</a>
213526	E-RING	<a href="#">16</a>
235849	EJECTOR - lamp	<a href="#">4, 5</a>
221252	ELEVATION AY	<a href="#">2</a>
236070	FAN AY	<a href="#">7</a>
219134	FILTER - photocell	<a href="#">10</a>
226922	FOCUS AY - viewfinder	<a href="#">11</a>
200687	FOLLOWER - drive lever	<a href="#">16</a>
893402	FOOT	<a href="#">2</a>
256812	FUSE - 2 AG, 1 AMP, slow-blow	<a href="#">19, 20, 21</a>
145051	FUSE - 4200-KK, 4600-KK, 5600-KK projectors	<a href="#">6</a>
691662	FUSE - main, 2.5 AMP, 250 V - 4200-KK, 4600-KK, 5600-KK projectors	<a href="#">7</a>
226075	FUSE - thermal	<a href="#">7</a>
784053	GATE - mechanical frame	<a href="#">14</a>
5B5042	GRILLE AY - 4200, 4200-J, 4200-KK, 4400, 4600, 4600-KK projectors	<a href="#">6</a>
5B5058	GRILLE AY - 5600, 5600-J projectors	<a href="#">6</a>
5B5066	GRILLE AY - 5600-KK projector	<a href="#">6</a>
215178	GROMMET	<a href="#">6</a>
226844	GUIDE	<a href="#">11</a>
5B5267	HOUSING - bottom remote	<a href="#">17, 18</a>
251708	HOUSING - fuse, 4200-KK, 4600-KK, 5600-KK projectors	<a href="#">6</a>
2E5901	HOUSING - lower, 4200, 4200-J, 4400, 4600 projectors	<a href="#">2</a>
7C3453	HOUSING - lower, 4200-KK, 4600-KK projectors	<a href="#">2</a>
2J6317	HOUSING - lower, 5600, 5600-J projectors	<a href="#">2</a>
5B5064	HOUSING - lower, 5600-KK projector	<a href="#">2</a>
221331	HOUSING - photocell	<a href="#">10</a>
2J4084	HOUSING - top remote, EC1	<a href="#">18</a>
5B5271	HOUSING - top remote, EC3, EC2	<a href="#">17</a>
2E5900	HOUSING - top, 4200, 4200-J, 4400, 4600, 5600, 5600-J projectors	<a href="#">12</a>
5B5074	HOUSING - top, 4200-KK, 4600-KK, 5600-KK projectors	<a href="#">12</a>

## Alphabetical Index

Part No.	Description	Figure No.
251699	INSULATOR - 4200-KK, 4600-KK, 5600-KK projectors	<a href="#">6</a>
3B0160	INTERFACE - power/timer	<a href="#">1</a>
250739	KEY - spindle	<a href="#">12</a>
221160	KNOB - elevation	<a href="#">2</a>
226082	KNOB - focus	<a href="#">1</a>
5B5621	LABEL - 4200-KK, 4600-KK, 5600-KK projectors	<a href="#">7</a>
3H6864	LABEL - data, U.S. projectors	<a href="#">2</a>
185636	LABEL - remote, EC3	<a href="#">17</a>
785004	LABEL - serial number, 4200-J, 5600-J projectors	<a href="#">2</a>
941999	LABEL - serial number, 4200-KK, 4600-KK, 5600-KK projectors	<a href="#">2</a>
205342	LABEL - serial number, U.S. projectors	<a href="#">2</a>
628104	LAMP - ANSI code, FHS	<a href="#">5</a>
---	LAMP - ANSI code, FHS	<a href="#">4</a>
239314	LATCH - door	<a href="#">5</a>
232954	LATCH - storage door	<a href="#">6</a>
628305	LENS - condenser	<a href="#">4, 5</a>
628491	LENS - heat absorbing	<a href="#">4</a>
628582	LENS - reading light	<a href="#">4</a>
226079	LEVELING AY	<a href="#">2</a>
221041	LEVER - auto focus	<a href="#">9</a>
221377	LEVER - clamp, 5600, 5600-J, 5600-KK projectors	<a href="#">10</a>
232456	LEVER - direction	<a href="#">13</a>
231687	LEVER - elevation	<a href="#">2</a>
230795	LEVER - locator drive	<a href="#">16</a>
223568	LEVER - select	<a href="#">15</a>
231702	LEVER - select switch	<a href="#">14</a>
225915	LEVER - spring indexer	<a href="#">16</a>
232125	LEVER AY - cycle, 4200, 4400 projectors	<a href="#">16</a>
232125	LEVER AY - cycle, 4600, 5600 projectors	<a href="#">16</a>
221220	LEVER AY - drive	<a href="#">16</a>
232124	LEVER AY - half cycle	<a href="#">16</a>
221215	LEVER AY - indexer	<a href="#">13</a>
232123	LEVER AY - locator	<a href="#">16</a>
221343	LEVER AY - locator cam	<a href="#">16</a>
221227	LEVER AY - shutter	<a href="#">16</a>
784230	LEVER AY - slide lift	<a href="#">15</a>
5B5046	LIGHT - door reading	<a href="#">4</a>
8B9864	LIGHT - door reading	<a href="#">5</a>
6C1965	LIGHT - frame	<a href="#">14</a>
231316	LINK	<a href="#">13</a>
221259	LOCATOR - locator lever ay	<a href="#">16</a>
221010	MASK - photocell	<a href="#">10</a>
259736	MECHANISM AY - auto focus, 4600, 5600 projectors	<a href="#">12</a>
259735	MECHANISM AY - non-auto focus, 4200, 4400 projectors	<a href="#">12</a>
2B7754	MIRROR	<a href="#">5</a>
628154	MIRROR - lamp module	<a href="#">4</a>
5B4641	MIRROR - mount, 5600, 5600-J, 5600-KK projectors	<a href="#">3</a>
5B4638	MODULE - transformer, complete, 4200-KK, 4600-KK, 5600-KK projectors	<a href="#">6</a>

## Alphabetical Index

Part No.	Description	Figure No.
989237	MODULE - voltage, 4200-KK, 4600-KK, 5600-KK projectors	<a href="#">6</a>
5B5831	MODULE AY - extra bright, lamp	<a href="#">4, 5</a>
7C9785	MOTOR - 4200-J, 5600-J, long life projectors	<a href="#">6</a>
7C9783	MOTOR - 4200-J, 5600-J, standard projectors	<a href="#">6</a>
961757	MOTOR - focus	<a href="#">8</a>
5B5894	MOTOR - pulley, U.S. projectors	<a href="#">6</a>
7C9786	MOTOR - U.S., all other long life projectors	<a href="#">6</a>
221075	MOTOR - U.S., all other standard projectors	<a href="#">6</a>
961757	MOTOR, focus	<a href="#">9</a>
988302	MOUNT AY - lens, 4200, 4200-J, 4200-KK projectors	<a href="#">12, 8</a>
988303	MOUNT AY - lens, 4400 projector	<a href="#">8</a>
488303	MOUNT AY - lens, 4400 projectors	<a href="#">12</a>
236625	MOUNT AY - lens, 4600, 4600-KK projectors	<a href="#">9</a>
988305	MOUNT AY - lens, 4600, 4600-KK projectors	<a href="#">12</a>
236076	MOUNT AY - lens, 5600, 5600-J, 5600-KK projectors	<a href="#">9</a>
255944	MOUNT AY - lens, 5600, 5600-J, 5600-KK projectors	<a href="#">12</a>
166120	NUT	<a href="#">15</a>
166072	NUT - clamp lever, 5600, 5600-J, 5600-KK projectors	<a href="#">10</a>
5B5599	PAD - cork	<a href="#">10</a>
231783	PAD - lens mount	<a href="#">8, 9</a>
223505	PAD - pressure, mechanical frame	<a href="#">14</a>
221392	PAD AY - clamp	<a href="#">10</a>
6C0907	PANEL - control, 4200 projector, long life only	<a href="#">1</a>
6C0908	PANEL - control, 4400 projector, long life only	<a href="#">1</a>
6C0909	PANEL - control, 4600 projector, long life only	<a href="#">1</a>
6C0910	PANEL - control, 5600 projector, long life only	<a href="#">1</a>
188332	PIN - shutter	<a href="#">14</a>
221223	PLATE - elevation	<a href="#">2</a>
2B5832	PLATE AY - lamp and door	<a href="#">5</a>
5B5047	PLATE AY - lamp and door	<a href="#">4</a>
784239	PLATE AY - top	<a href="#">13</a>
221395	PLUNGER - rack solenoid, 5600, 5600-J, 5600-KK projectors	<a href="#">10</a>
941993	POWER INLET SOCKET - 4200-KK, 4600-KK, 5600-KK projectors	<a href="#">7</a>
221218	PULLEY AY - worm	<a href="#">13</a>
221022	RACK - photocell, all projectors	<a href="#">10</a>
2B5163	RACK AY - solenoid, 5600, 5600-J, 5600-KK projectors	<a href="#">10</a>
226084	RAIL - lens support	<a href="#">8, 9</a>
231860	RAMP - slide lift lever	<a href="#">15</a>
221381	RECEPTACLE - lamp	<a href="#">7</a>
232011	RECEPTACLE - remote	<a href="#">6</a>
256815	RECTIFIER - bridge, 1 AMP, 100 PIV, slow-blow	<a href="#">19, 20, 21</a>
226727	RECTIFIER - diode, 1N4005, 1 AMP, 600 PIV	<a href="#">20, 21</a>
---	REMOTE AY - complete	<a href="#">17</a>
220044	RESISTOR - 1 k W, W $\pm$ 5%, 1/4 W	<a href="#">20, 21</a>
220054	RESISTOR - 10 K W, 1/4 W, W $\pm$ 5%	<a href="#">21</a>
223490	RESISTOR - 100 W, W $\pm$ 5%, 1/4 W	<a href="#">20, 21</a>
220045	RESISTOR - 18 k W, W $\pm$ 5%, 1/4 W	<a href="#">21</a>
220051	RESISTOR - 270 W, W $\pm$ 5%, 1/4 W	<a href="#">20, 21</a>



## Alphabetical Index

Part No.	Description	Figure No.
224791	RESISTOR - 39 k W, W±5%, 1/4 W	<a href="#">20</a>
221760	RESISTOR - 4.7 M W, W±5%, 1/4 W - 5400 and 5600 projectors	<a href="#">21</a>
226597	RESISTOR - 47 W, 1/4 W, W±5%	<a href="#">21</a>
226597	RESISTOR - 47 W, 1/4 W, W±5%	<a href="#">19, 20</a>
220040	RESISTOR - 68 k W, W±5%, 1/4 W	<a href="#">21</a>
228939	RESISTOR - 82 W, W±5%, 2 W	<a href="#">20, 21</a>
227400	RESISTOR - dropping	<a href="#">7</a>
221319	RETAINER - viewfinder rack, 5600, 5600-KK, 5600-J, projectors	<a href="#">11</a>
221374	RETAINER - worm pulley	<a href="#">13</a>
222102	SCR	<a href="#">20, 21</a>
236751	SCR - 5600, 5600-J, 5600-KK projectors	<a href="#">21</a>
221014	SCREEN	<a href="#">3</a>
5B4642	SCREEN - frame, 5600, 5600-J, 5600-KK projectors	<a href="#">3</a>
221051	SCREW - 5600, 5600-J, 5600-KK projectors	<a href="#">10</a>
166985	SCREW	<a href="#">16</a>
169836	SCREW	<a href="#">17, 18</a>
176252	SCREW	<a href="#">10</a>
215242	SCREW	<a href="#">6</a>
236541	SCREW	<a href="#">12, 14, 4, 7, 8</a>
250634	SCREW	<a href="#">16</a>
259556	SCREW	<a href="#">4, 5</a>
5B5830	SCREW	<a href="#">7</a>
6C1825	SCREW	<a href="#">6, 8, 9</a>
785130	SCREW	<a href="#">13, 5</a>
8B9763	SCREW	<a href="#">14</a>
961848	SCREW	<a href="#">8, 9</a>
254443	SCREW - 4200-KK and 5600 projectors	<a href="#">7</a>
253789	SCREW - 5600, 5600-J, 5600-KK projectors	<a href="#">10</a>
254442	SCREW - base	<a href="#">2</a>
254379	SCREW - hex, button	<a href="#">2</a>
784335	SCREW - long repair	<a href="#">12</a>
785136	SCREW - select switch	<a href="#">14</a>
232126	SHAFT	<a href="#">16</a>
257411	SHAFT AY - cam	<a href="#">15</a>
231792	SHAFT AY - focus	<a href="#">8, 9</a>
226061	SHAFT AY - worm	<a href="#">8, 9</a>
6C1964	SHUTTER	<a href="#">14</a>
3B0158	SLIDER - power/timer switch	<a href="#">1</a>
256817	SOCKET - 7-line	<a href="#">21</a>
256819	SOCKET - 9-line	<a href="#">20, 21</a>
5B5146	SOLENOID AY - cycle	<a href="#">16</a>
543384	SPACER	<a href="#">8, 9</a>
221053	SPRING	<a href="#">3</a>
221054	SPRING	<a href="#">3</a>
221065	SPRING	<a href="#">16</a>
221068	SPRING	<a href="#">11</a>
222355	SPRING	<a href="#">13</a>
961672	SPRING - cam shaft	<a href="#">15</a>

## Alphabetical Index

Part No.	Description	Figure No.
221096	SPRING - clamp lever, 5600, 5600-J, 5600-KK projectors	<a href="#">10</a>
232115	SPRING - coil	<a href="#">14, 16</a>
232458	SPRING - direction lever	<a href="#">13</a>
239313	SPRING - door latch	<a href="#">5</a>
239813	SPRING - door latch	<a href="#">4</a>
221133	SPRING - elevation	<a href="#">2</a>
231788	SPRING - focus shaft	<a href="#">8, 9</a>
226702	SPRING - lens mount	<a href="#">8, 9</a>
221097	SPRING - photocell bracket	<a href="#">10, 9</a>
221099	SPRING - photocell rack, all projectors	<a href="#">10</a>
221106	SPRING - pressure pad	<a href="#">14</a>
231700	SPRING - ratchet	<a href="#">15</a>
5B4472	SPRING - retard	<a href="#">13, 14</a>
221362	SPRING - select lever	<a href="#">15</a>
207378	SPRING - shutter	<a href="#">14</a>
225916	SPRING - shutter lever	<a href="#">16</a>
226047	SPRING - solenoid	<a href="#">16</a>
227181	SPRING - viewfinder lens	<a href="#">11</a>
226768	SPRING - viewfinder rack	<a href="#">11</a>
5B4634	SPRING - worm pulley	<a href="#">13</a>
6C1937	SWITCH - auto focus, 4600, 5600, 4600-KK, 5600-J, 5600-KK projectors	<a href="#">14</a>
221173	SWITCH - auto focus, 5600-J, 5600-KK, medalist I projectors	<a href="#">9</a>
217022	SWITCH - power	<a href="#">12</a>
239814	SWITCH AY - cycle, with power switch	<a href="#">12, 4</a>
221237	SWITCH AY - select	<a href="#">14</a>
989232	SYMBOL - corporate	<a href="#">6</a>
259748	TERMINAL AY - lamp socket	<a href="#">4, 5</a>
255936	TIMER AY - 5600, 5600-J, 5600-KK projectors	<a href="#">12</a>
221419	TRACK - left	<a href="#">7</a>
250083	TRACK - right	<a href="#">7</a>
941963	TRANSFORMER - 4200-KK, 4600-KK, 5600-KK projectors	<a href="#">6</a>
220137	TRANSISTOR - 2N6027 - 5400 and 5600 projectors	<a href="#">21</a>
273500	TRANSISTOR - NPN, EBC, PN100	<a href="#">20, 21</a>
227132	VARISTOR - motor, 4600, 5600 projectors	<a href="#">6</a>
232994	WALL - stabilizer	<a href="#">6</a>

**This page is intentionally blank.**

*Kodak and Carousel are trademarks.*

Printed in U.S.A. • ip5440\_1.fm

EASTMAN KODAK COMPANY  
Rochester, NY 14650

**Kodak** Service & Support