



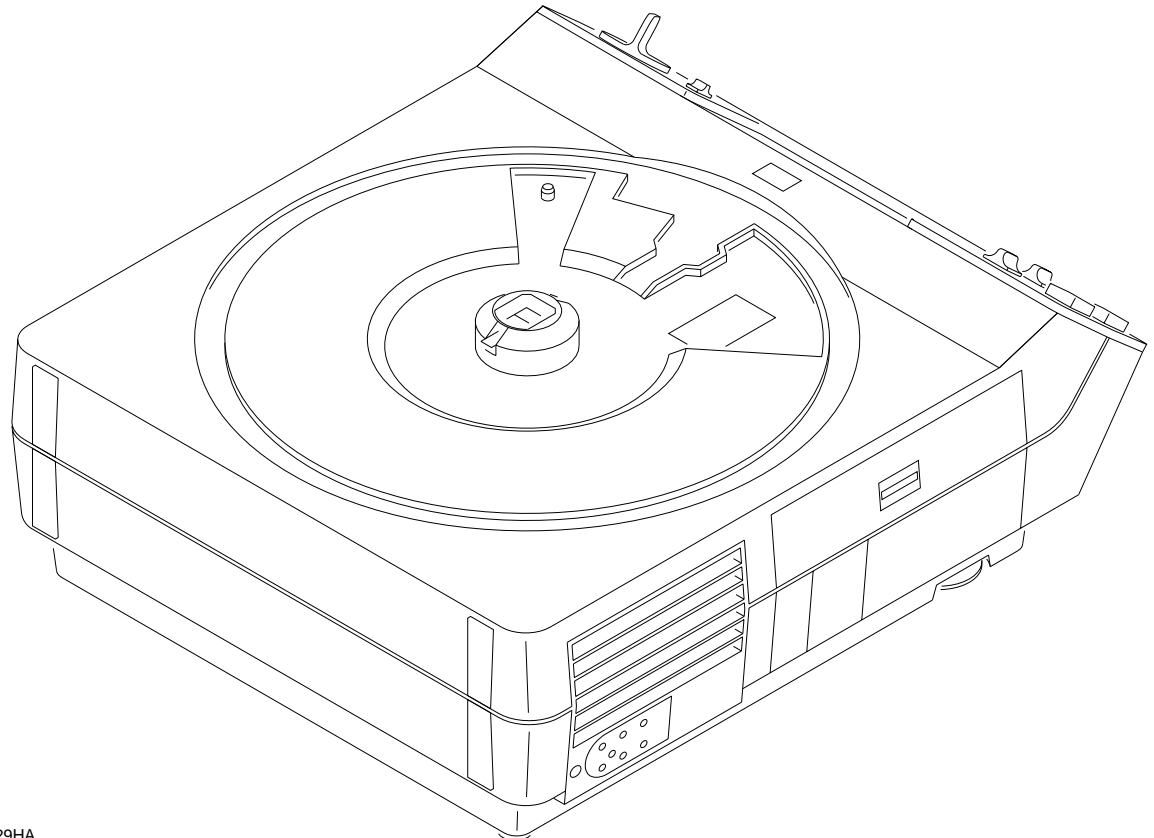
Kodak Service & Support

SERVICE MANUAL
for the
***Kodak Carousel* NEW LOOK PROJECTORS**
Standard and Long Life
Models 4200, 4200-J, 4200-KK, 4400, 4600,
4600-KK, 5600, 5600-J, and 5600-KK

 **Kodak Home Page
on Internet**

 **Intranet**

 **Table of Contents**



PLEASE NOTE The information contained herein is based on the experience and knowledge relating to the subject matter gained by Eastman Kodak Company prior to publication.

No patent license is granted by this information.

Eastman Kodak Company reserves the right to change this information without notice, and makes no warranty, express or implied, with respect to this information. Kodak shall not be liable for any loss or damage, including consequential or special damages, resulting from any use of this information, even if loss or damage is caused by Kodak's negligence or other fault.


 This equipment includes parts and assemblies sensitive to damage from electrostatic discharge. Use caution to prevent damage during all service procedures.

Table of Contents

| Description | Page |
|---|------|
| <u>Replacements and Installations</u> | 4 |
| <u>Replacing the LOWER HOUSING ASSEMBLY</u> | 4 |
| <u>Installing the LOWER HOUSING ASSEMBLY</u> | 4 |
| <u>Replacing the FAN SHAFT ASSEMBLY</u> | 4 |
| <u>Installing the FAN SHAFT ASSEMBLY</u> | 6 |
| <u>Replacing the MOTOR</u> | 7 |
| <u>Installing the MOTOR</u> | 7 |
| <u>Replacing the WORM PULLEY and MECHANISM BELT</u> | 8 |
| <u>Installing the WORM PULLEY and MECHANISM BELT</u> | 9 |
| <u>Replacing the THERMAL FUSE ASSEMBLY</u> | 10 |
| <u>Installing the THERMAL FUSE ASSEMBLY</u> | 10 |
| <u>Replacing the LAMP MODULE RECEPTACLE</u> | 10 |
| <u>Installing the LAMP MODULE RECEPTACLE</u> | 11 |
| <u>Replacing the CYCLE SOLENOID ASSEMBLY</u> | 12 |
| <u>Installing the CYCLE SOLENOID ASSEMBLY</u> | 12 |
| <u>Replacing the MECHANISM ASSEMBLY</u> | 13 |
| <u>Installing the MECHANISM ASSEMBLY</u> | 13 |
| <u>Replacing the AUTO-FOCUS BRACKET ASSEMBLY</u> | 14 |
| <u>Installing the AUTO-FOCUS BRACKET ASSEMBLY</u> | 14 |
| <u>Replacing the CAM STACK ASSEMBLY and CYCLE LEVER ASSEMBLY</u> | 14 |
| <u>Installing the CAM STACK ASSEMBLY and CYCLE LEVER ASSEMBLY</u> | 17 |
| <u>Replacing the LAMP SOCKET TERMINAL ASSEMBLY</u> | 18 |
| <u>Installing the LAMP SOCKET TERMINAL ASSEMBLY</u> | 18 |
| <u>Replacing the LENS MOUNT ASSEMBLY - Auto Focus Model</u> | 19 |
| <u>Installing the LENS MOUNT ASSEMBLY - Auto Focus Models</u> | 19 |
| <u>Replacing the LENS MOUNT ASSEMBLY - Non Auto Focus Model</u> | 20 |
| <u>Installing the LENS MOUNT ASSEMBLY - Non Auto Focus Model</u> | 20 |
| <u>Replacing the AUTO-FOCUS SWITCH ASSEMBLY</u> | 21 |
| <u>Installing the AUTO-FOCUS SWITCH ASSEMBLY</u> | 21 |
| <u>Replacing the FOCUS SHAFT ASSEMBLY - Auto Focus Models</u> | 21 |
| <u>Installing the FOCUS SHAFT ASSEMBLY</u> | 23 |
| <u>Replacing the FOCUS SHAFT ASSEMBLY - Non Auto-Focus Models</u> | 23 |
| <u>Installing the FOCUS SHAFT ASSEMBLY</u> | 24 |
| <u>Adjustments</u> | 25 |
| <u>Adjusting the CYCLE SOLENOID</u> | 25 |
| <u>Adjusting the INDEXER LEVER ASSEMBLY</u> | 26 |
| <u>Adjusting the SLIDE LIFT LEVER MANUAL, with MECHANISM Out</u> | 27 |
| <u>Adjusting the SLIDE LIFT LEVER POWER with Mechanism Out</u> | 27 |

| | |
|--|----|
| Adjusting the Focus Light Path - Auto Focus Models | |
| Adjustment Specification | 28 |
| Adjusting the NULL | 29 |
| Adjusting the PHOTOCELL | 30 |
| Adjusting the CLAMP PAD ASSEMBLY | 34 |
| Adjusting the DARK SHUTTER | 34 |
| Lubrication | 36 |
| Tools | 39 |
| Specifications | 40 |
| Diagnostics | 42 |
| MAIN MOTOR Voltages | 42 |
| PHOTOCELL Voltages | 43 |
| 5-PIN REMOTE CORD PLUG Voltages | 43 |
| SMALL COMPONENT BOARD ASSEMBLY 256809 Voltages | 44 |
| Voltage Specifications - General Parts | 45 |
| Power, Illumination, and Cooling Malfunctions | 45 |
| Slide Transport Malfunctions | 46 |
| Focus Malfunctions | 48 |

Section 1: Replacements and Installations

Replacing the LOWER HOUSING ASSEMBLY



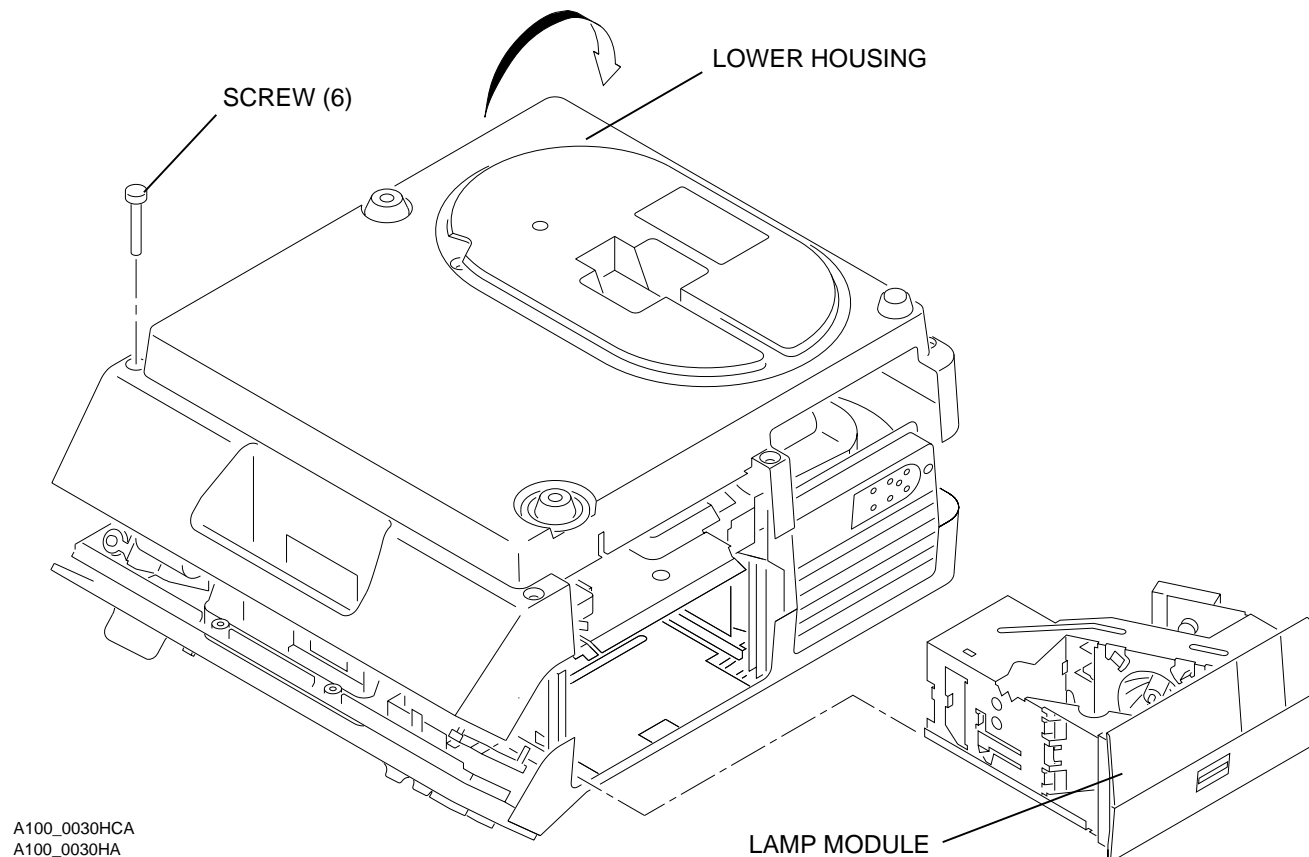
Warning

Dangerous Voltage

- [1] Disconnect the main power.
- [2] Remove the PROJECTION LENS.
- [3] Remove the LAMP MODULE ASSEMBLY.
- [4] Remove the 6 *Torx* SCREWS from the LOWER HOUSING ASSEMBLY.
- [5] Pull the LOWER HOUSING ASSEMBLY off the TOP HOUSING.

Installing the LOWER HOUSING ASSEMBLY

- [1] Do the replacement procedure for the LOWER HOUSING ASSEMBLY in reverse order.



Replacing the FAN SHAFT ASSEMBLY

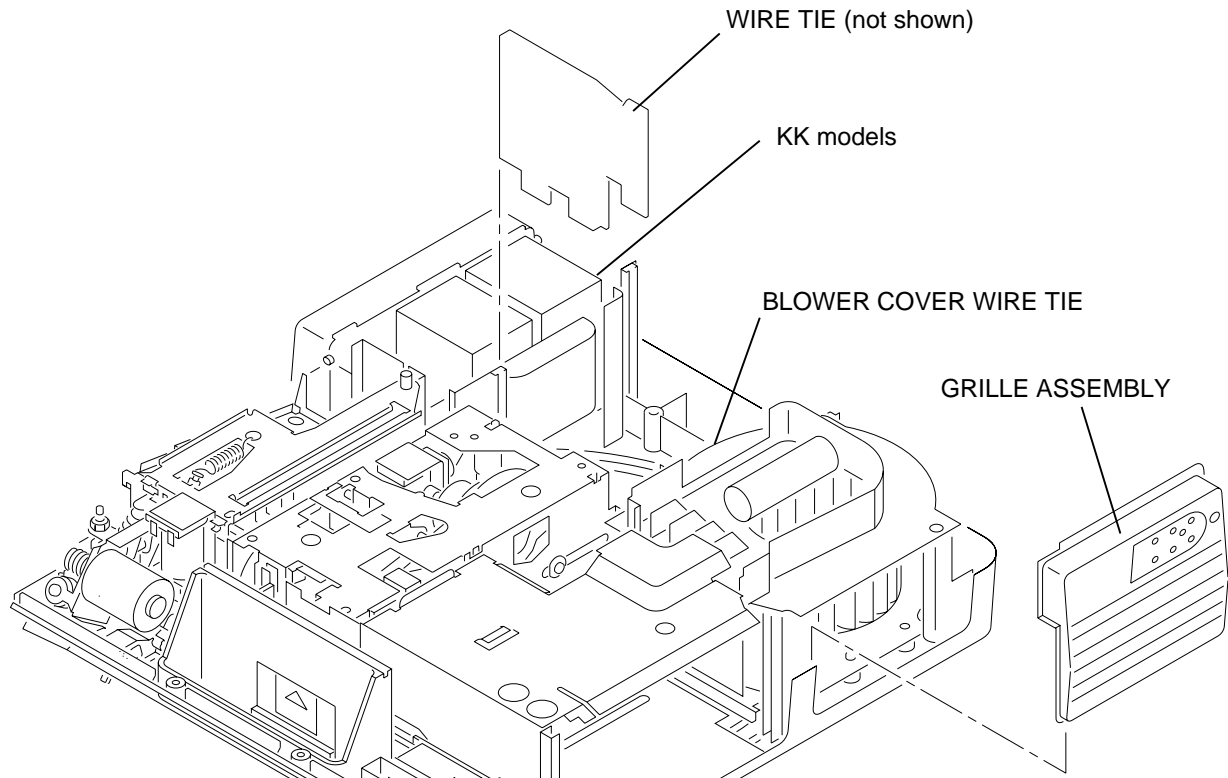


Warning

Dangerous Voltage

- [1] Disconnect the main power.
- [2] Do the replacement procedure for the LOWER HOUSING ASSEMBLY.
- [3] Cut the 3 WIRE TIES:
 - 1 on BLOWER COVER wires
 - 2 on SMALL CIRCUIT BOARD between the MOTOR and MECHANISM ASSEMBLY

- [4] Disconnect the 2 wires from the CYCLE SOLENOID on the SMALL CIRCUIT BOARD.
- [5] Pull the SMALL CIRCUIT BOARD up.
- [6] Remove the *Torx* SCREW from the BLOWER COVER ASSEMBLY.
- [7] Lift the GRILLE ASSEMBLY in front of the BLOWER COVER ASSEMBLY up.
- [8] Loosen the *Torx* SCREW on the right track of the LOWER LIGHT BAFFLE ASSEMBLY approximately half way.
- [9] Lift the LOWER LIGHT BAFFLE ASSEMBLY off the TAB on the BLOWER COVER ASSEMBLY.



A100_0031HCA
A100_0031HA

- [10] Remove the 2 long *Torx* SCREWS from the BLOWER COVER ASSEMBLY.
- [11] Lift the BLOWER COVER ASSEMBLY up.
- [12] Remove the 3 *Hex* 1/4 in. SCREWS from the MOTOR.
- [13] Lift the MOTOR until you observe the FAN BELT and MECHANISM BELT.
- [14] Remove the FAN BELT and MECHANISM BELT off the MOTOR PULLEY. Use SPRING HOOK TL-1165.

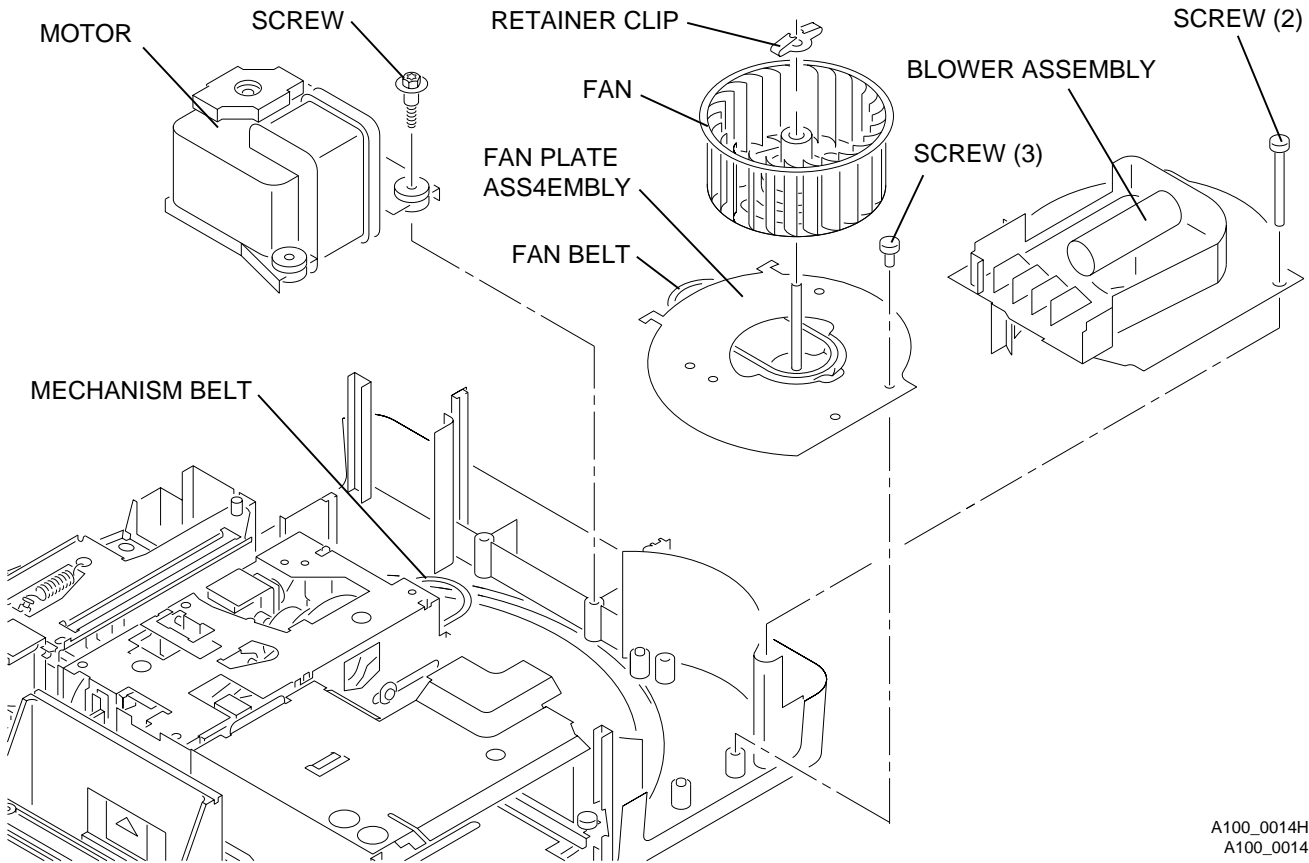


Caution

Move the MOTOR to allow access to the parts; wires are still connected to the MOTOR. Do not cause damage to the MOTOR wires.

- [15] Remove the RETAINER CLIP from the FAN SHAFT.
- [16] Pull the FAN up and off the FAN SHAFT to allow access to the FAN BELT.
- [17] Remove the FAN BELT.
- [18] Remove the 3 *Torx* SCREWS from the FAN SHAFT ASSEMBLY.

[19] Lift and remove the FAN SHAFT ASSEMBLY.



A100_0014HCA
A100_0014HA

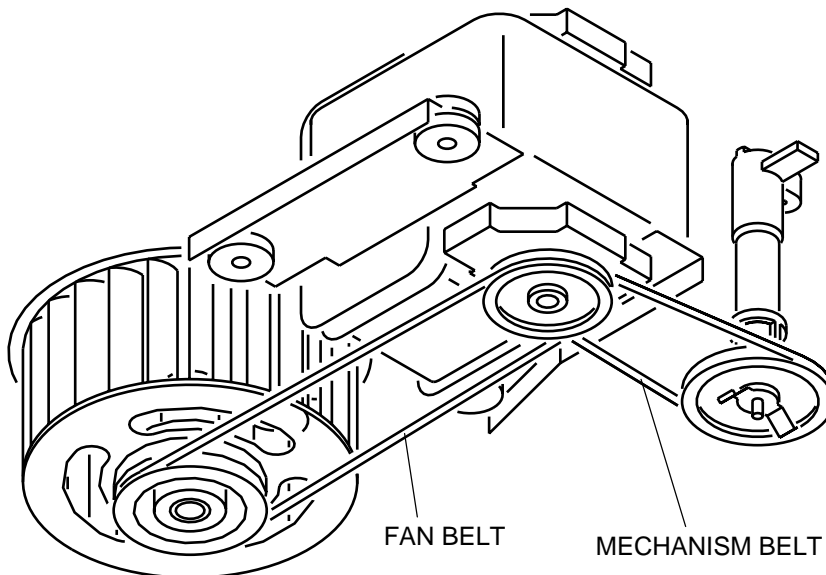
Installing the FAN SHAFT ASSEMBLY



Important

When installing the FAN and MECHANISM BELTS, install the MECHANISM BELT on the small MOTOR PULLEY, and the FAN BELT on the large MOTOR PULLEY.

[1] Do the removal procedure for the FAN BELT and SHAFT in reverse order.



A091_4015BCA
A091_4015BA

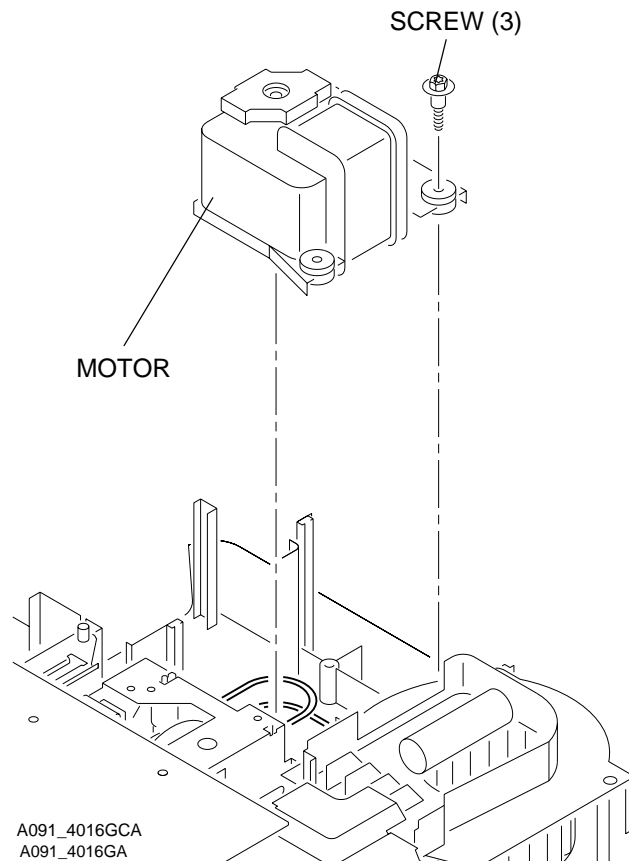
Replacing the MOTOR



Warning

Dangerous Voltage

- [1] Disconnect the main power.
- [2] Do the replacement procedure for the LOWER HOUSING ASSEMBLY.
- [3] Disconnect all wires from the MOTOR.
- [4] Cut the 2 WIRE TIES on the SMALL CIRCUIT BOARD between the MOTOR and MECHANISM ASSEMBLY.
- [5] Disconnect the 2 wires from the CYCLE SOLENOID on the SMALL CIRCUIT BOARD.
- [6] Pull the SMALL CIRCUIT BOARD up.
- [7] Disconnect all wires on the MOTOR.
- [8] Remove 3 Hex 1/4 in. SCREWS from the MOTOR.
- [9] Lift the MOTOR up to allow access to the FAN and MECHANISM BELTS.
- [10] Remove the FAN and MECHANISM BELTS from the MOTOR PULLEY.
- [11] Remove the MOTOR.



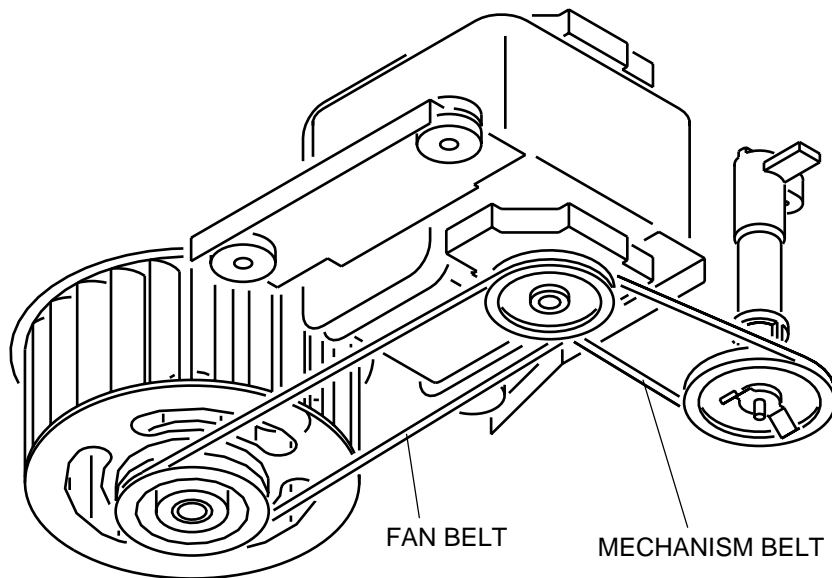
Installing the MOTOR



Important

When installing the FAN and MECHANISM BELTS, install the MECHANISM BELT on the small MOTOR PULLEY, and the FAN BELT on the large MOTOR PULLEY.

- [1] Do the replacement procedure for the MOTOR in reverse order.



A091_4015BCA
A091_4015BA

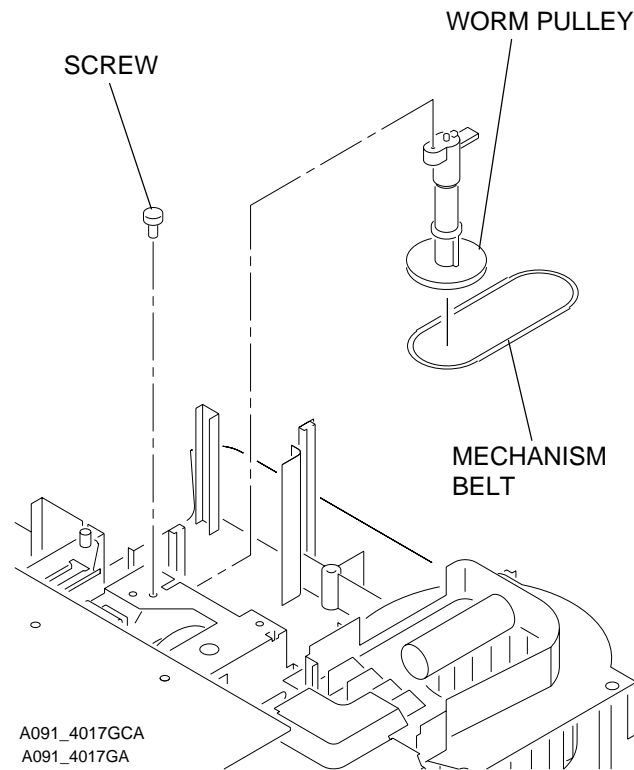
Replacing the WORM PULLEY and MECHANISM BELT



Warning

Dangerous Voltage

- [1] Disconnect the main power.
- [2] Do the replacement procedure for the LOWER HOUSING ASSEMBLY.
- [3] Do the replacement procedure for the MOTOR except do not disconnect the wires from the MOTOR.
- [4] Remove the *Torx* SCREW from the WORM PULLEY ASSEMBLY.
- [5] Move the TAB on the WORM PULLEY ASSEMBLY out.
- [6] Remove the WORM PULLEY ASSEMBLY and MECHANISM BELT.



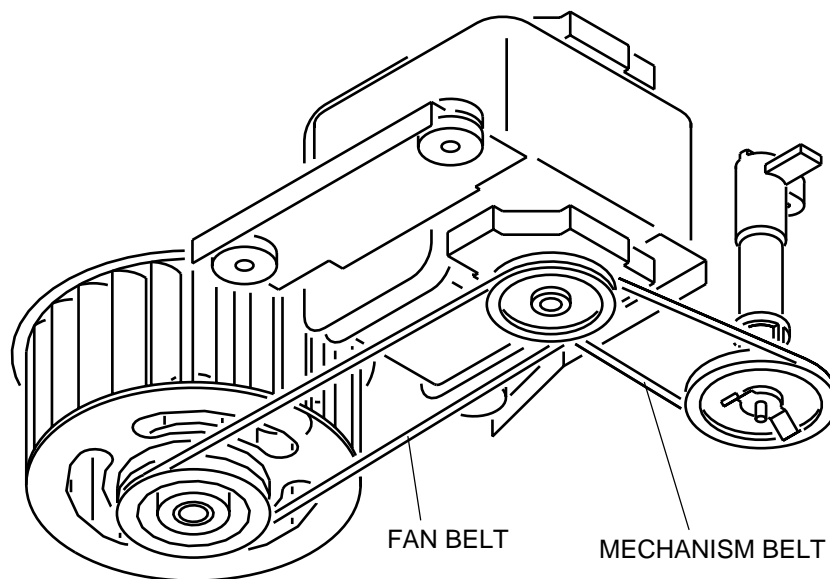
Installing the WORM PULLEY and MECHANISM BELT



Important

When installing the FAN and MECHANISM BELTS, install the MECHANISM BELT on the small MOTOR PULLEY, and the FAN BELT on the large MOTOR PULLEY.

[1] Do the replacement procedure for the WORM PULLEY and MECHANISM BELT in reverse order.



A091_4015BCA
A091_4015BA

Replacing the THERMAL FUSE ASSEMBLY



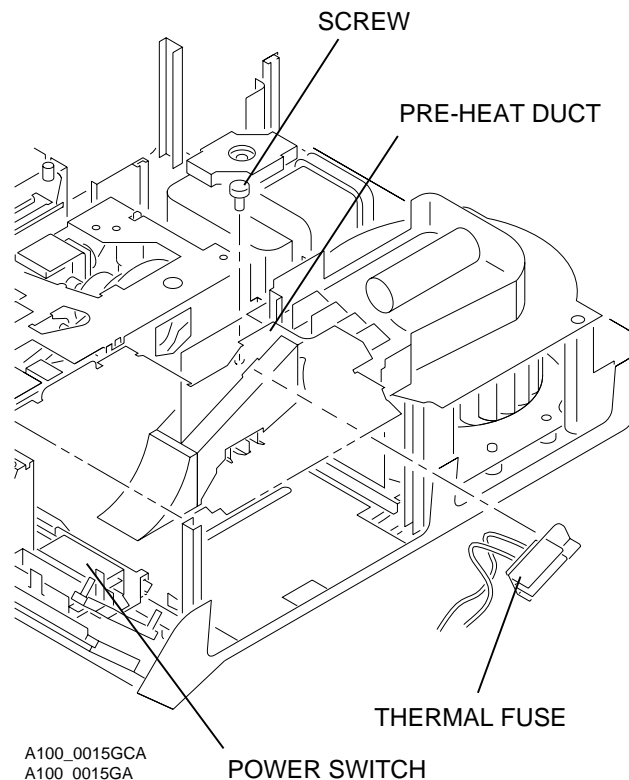
Warning

Dangerous Voltage

- [1] Disconnect the main power.
- [2] Do the replacement procedure for the LOWER HOUSING ASSEMBLY.
- [3] Cut and remove the necessary WIRE TIES.
- [4] Remove the black wire from the THERMAL FUSE ASSEMBLY on the POWER SWITCH.
- [5] Remove the gray wire from the THERMAL FUSE ASSEMBLY from the POWER CORD.
- [6] Loosen the *Torx* SCREW on the PREHEAT DUCT approximately half way.
- [7] Pull the THERMAL FUSE ASSEMBLY out of hole of the LOWER LIGHT BAFFLE ASSEMBLY.

Installing the THERMAL FUSE ASSEMBLY

- [1] Do the replacement procedure for the THERMAL FUSE ASSEMBLY in reverse order.



Replacing the LAMP MODULE RECEPTACLE

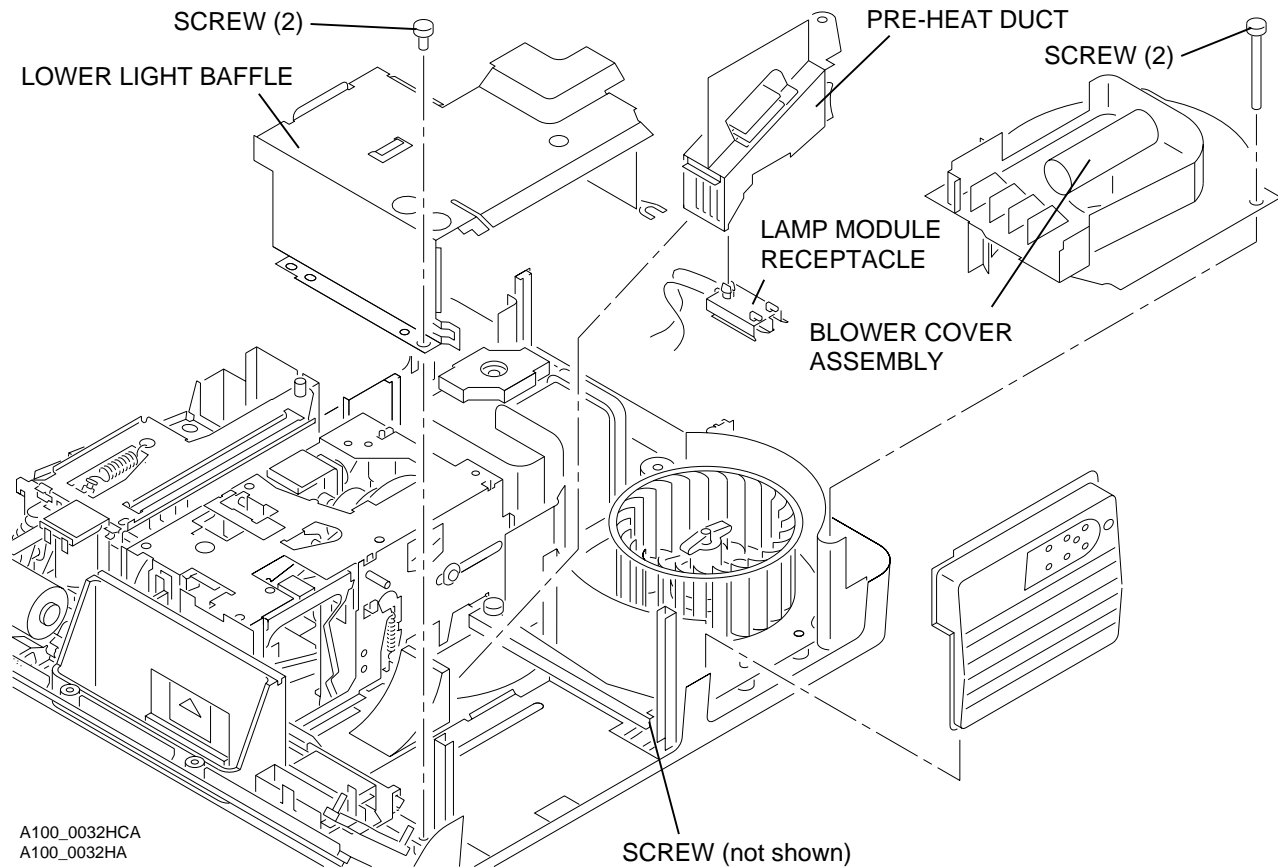


Warning

Dangerous Voltage

- [1] Disconnect the main power.
- [2] Do the replacement procedure for the LOWER HOUSING ASSEMBLY.
- [3] Cut and remove the necessary WIRE TIES.
- [4] Remove the 2 *Torx* SCREWS on the left side of the LOWER LIGHT BAFFLE ASSEMBLY.
- [5] Loosen the *Torx* SCREW on the right side of the LOWER LIGHT BAFFLE ASSEMBLY approximately 1/2 way.

- [6] Lift and remove the LOWER LIGHT BAFFLE ASSEMBLY.
- [7] Lift the GRILLE ASSEMBLY up.
- [8] Remove the 2 long *Torx* from the BLOWER COVER ASSEMBLY.
- [9] Lift the BLOWER COVER ASSEMBLY up.
- [10] Lift and move the PREHEAT DUCT up.
- [11] To remove the LAMP MODULE RECEPTACLE from the PREHEAT DUCT, compress the 2 TABS on the LAMP MODULE RECEPTACLE.



Installing the LAMP MODULE RECEPTACLE

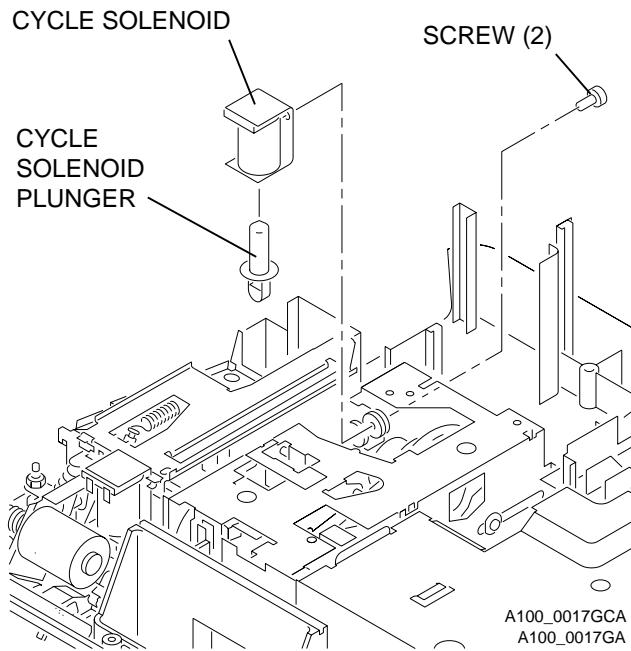


Warning

Dangerous Voltage

- [1] Disconnect the main power.
- [2] Do the replacement procedure for the LAMP MODULE RECEPTACLE in reverse order.

Replacing the CYCLE SOLENOID ASSEMBLY



Warning

Dangerous Voltage

- [1] Disconnect the main power.
- [2] Do the replacement procedures for the LOWER HOUSING ASSEMBLY and the MOTOR.
- [3] Cut and remove the necessary WIRE TIES.
- [4] Disconnect the 2 wires from the CYCLE SOLENOID on the SMALL CIRCUIT BOARD.
- [5] Pull the SMALL CIRCUIT BOARD up.
- [6] Remove the *Torx* SCREW from the WORM PULLEY SHAFT.
- [7] Move the TAB on the WORM PULLEY ASSEMBLY out of the MECHANISM ASSEMBLY.
- [8] Lift and remove the WORM PULLEY ASSEMBLY.
- [9] Remove the 2 *Hex* 1/4 in. SCREWS from the 2 CYCLE SOLENOID GROMMETS.
- [10] Pull the CYCLE SOLENOID ASSEMBLY up and out.
- [11] If necessary, remove the CYCLE SOLENOID PLUNGER ASSEMBLY.

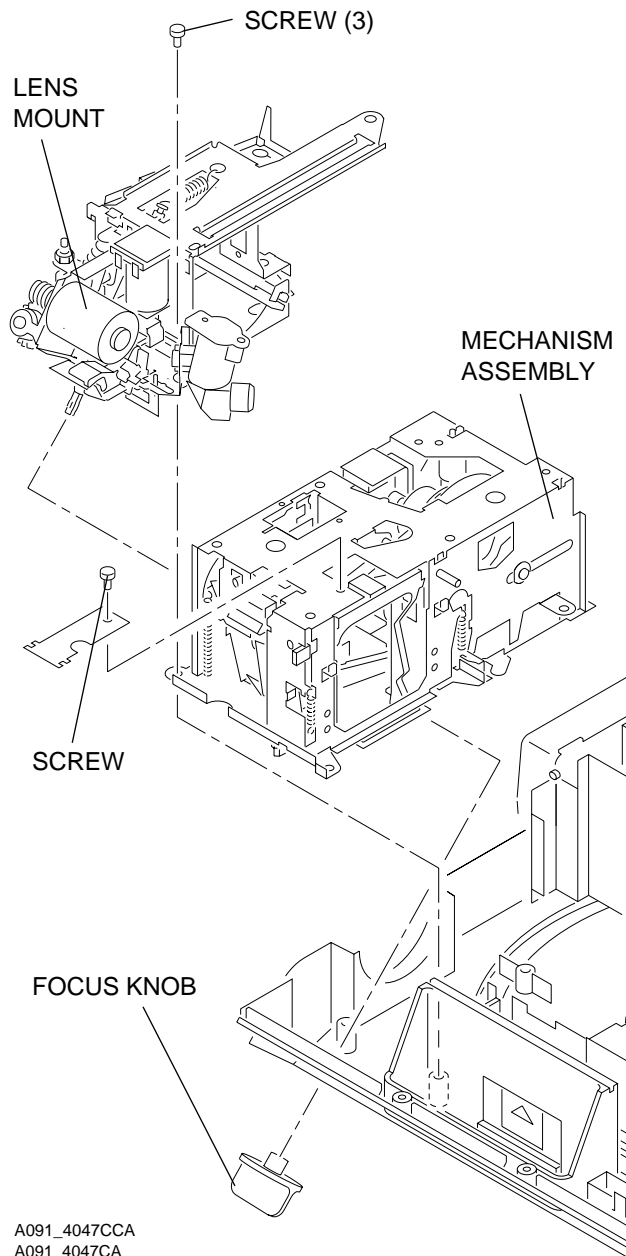
Installing the CYCLE SOLENOID ASSEMBLY

Important

Do the adjustment for the CYCLE SOLENOID ASSEMBLY. See the Adjustments section.

- [1] Do the replacement procedure for the CYCLE SOLENOID ASSEMBLY in reverse order.

Replacing the MECHANISM ASSEMBLY



Warning

Dangerous Voltage

- [1] Disconnect the main power.
- [2] Do the replacement procedure for the LOWER HOUSING ASSEMBLY.
- [3] Cut and remove the necessary WIRE TIES.
- [4] Disconnect the 2 wires from the CYCLE SOLENOID on the SMALL CIRCUIT BOARD.
- [5] Pull the SMALL CIRCUIT BOARD up.
- [6] Disconnect all wires connected to the MECHANISM ASSEMBLY:
 - 1 yellow wire from CYCLE SWITCH
 - 1 orange wire from WIRE NUT
 - 1 green wire from POWER CORD
 - 2 green ground wires from the lower MECHANISM ASSEMBLY
- [7] Remove the FOCUS KNOB from the FRONT PANEL.
- [8] Remove the 3 *Torx* SCREWS from the LENS MOUNT ASSEMBLY.
- [9] Lift and move the LENS MOUNT ASSEMBLY up.
- [10] Do the replacement procedure for the MOTOR.
- [11] Remove the 3 *Torx* SCREWS from the MECHANISM ASSEMBLY.
- [12] Loosen the SCREW on the STABILIZER WALL approximately half way.



Caution

There might be a bind between the SELECT LEVER and the SELECT BUTTON when removing the MECHANISM ASSEMBLY. Do not use force; this might cause damage to the SELECT BUTTON.

- [13] Remove the MECHANISM ASSEMBLY.

Installing the MECHANISM ASSEMBLY



Important

To insert the SELECT BUTTON into the hole in the SELECT LEVER when installing the MECHANISM ASSEMBLY, hold the SELECT BUTTON completely down.

- [1] Do the removal procedure for the MECHANISM ASSEMBLY in reverse order.

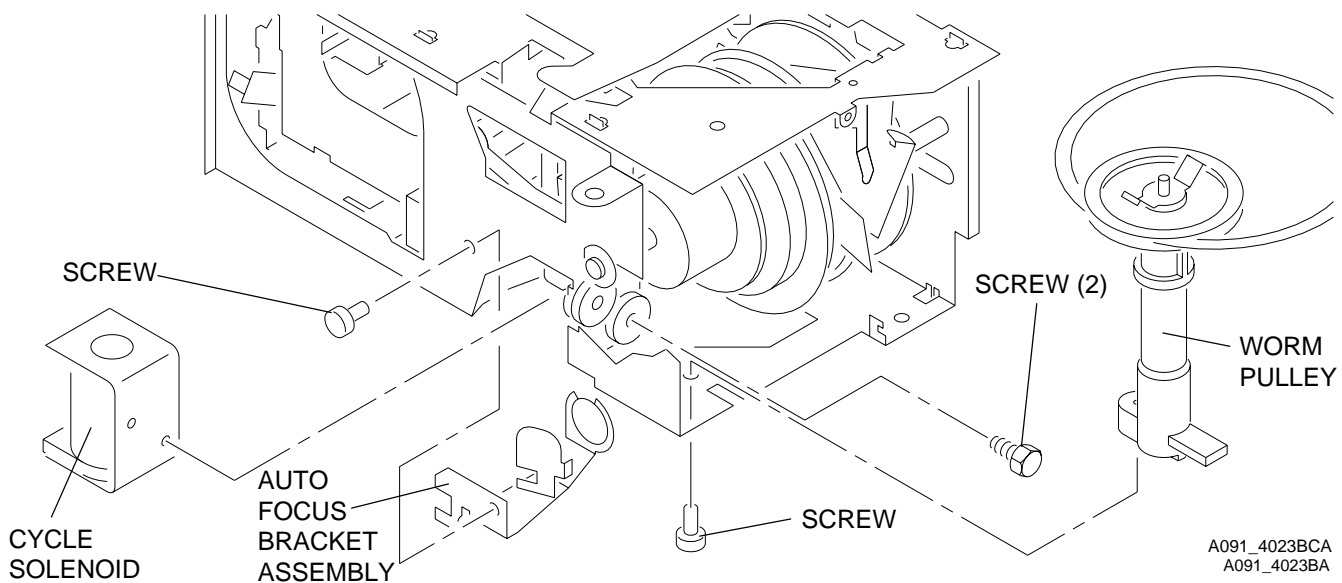
Replacing the AUTO-FOCUS BRACKET ASSEMBLY



Warning

Dangerous Voltage

- [1] Disconnect the main power.
- [2] Do the replacement procedure for the LOWER HOUSING ASSEMBLY.
- [3] Cut and remove the necessary WIRE TIES.
- [4] Disconnect the 2 wires from the CYCLE SOLENOID on the SMALL CIRCUIT BOARD.
- [5] Pull the SMALL CIRCUIT BOARD up.
- [6] Do the replacement procedure for the MECHANISM ASSEMBLY.
- [7] Remove the *Torx* SCREW from the WORM PULLEY.
- [8] Remove the WORM PULLEY.
- [9] Remove the 2 *Hex* SCREWS from the CYCLE SOLENOID.
- [10] Remove the CYCLE SOLENOID.
- [11] Remove the *Phillips* SCREW from the AUTO-FOCUS BRACKET ASSEMBLY.
- [12] Pull and remove the AUTO-FOCUS BRACKET ASSEMBLY through the hole where the CYCLE SOLENOID was.



Installing the AUTO-FOCUS BRACKET ASSEMBLY

- [1] Do the replacement procedure for the AUTO-FOCUS BRACKET ASSEMBLY in reverse order.

Replacing the CAM STACK ASSEMBLY and CYCLE LEVER ASSEMBLY

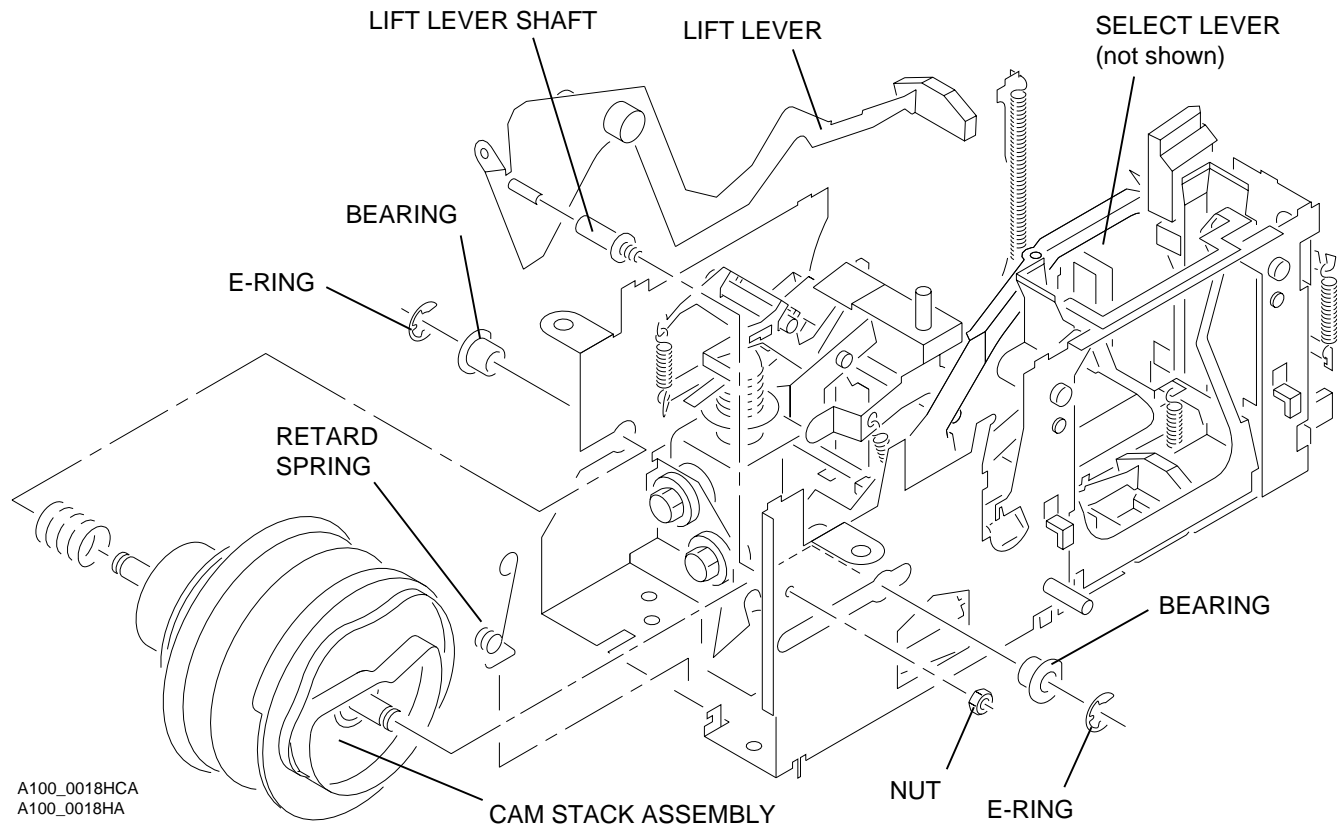


Warning

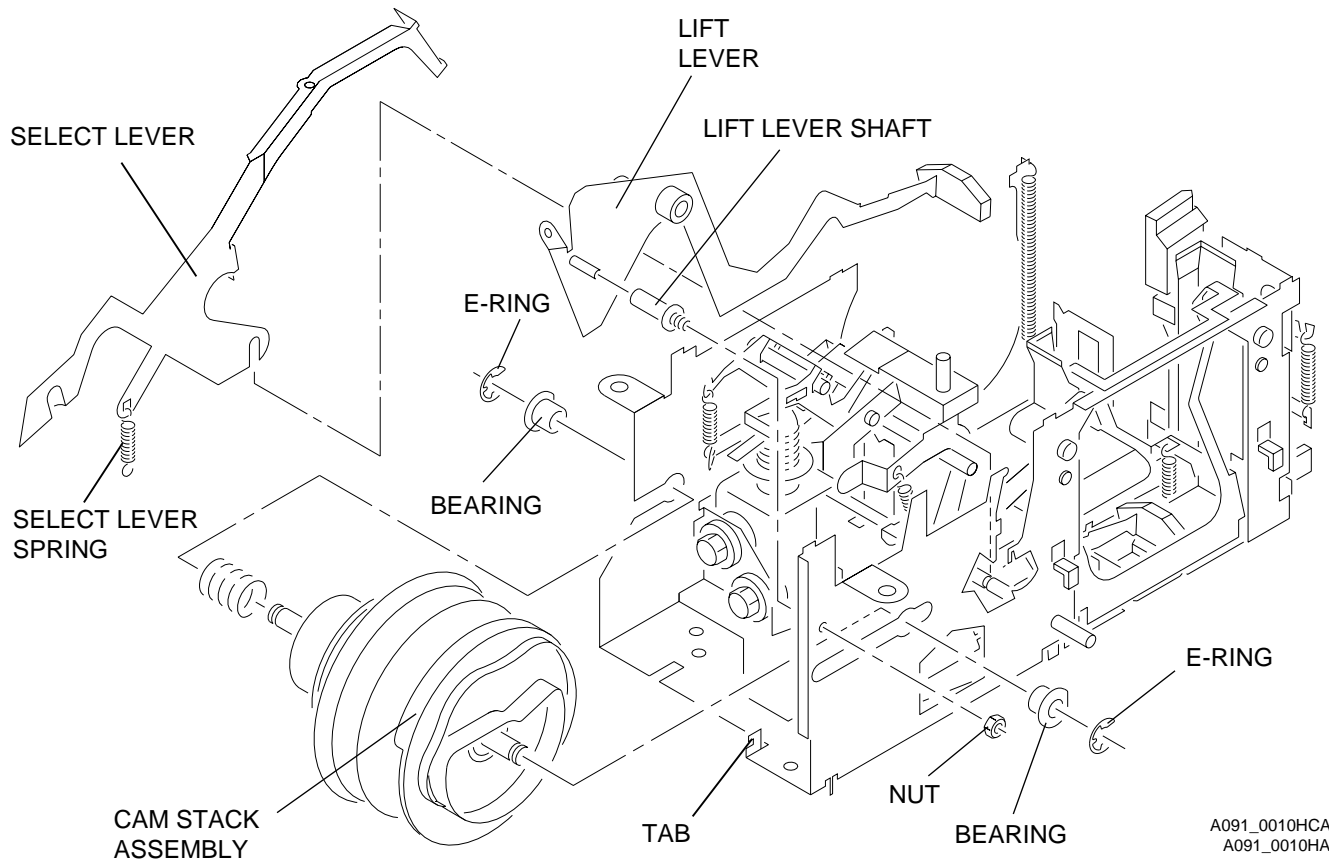
Dangerous Voltage

- [1] Disconnect the main power.
- [2] Do the replacement procedure for the MECHANISM ASSEMBLY.
- [3] Remove the INDEXER LEVER ASSEMBLY from the TOP PLATE of the MECHANISM ASSEMBLY.
- [4] Remove the *Torx* SCREW from the WORM PULLEY ASSEMBLY.
- [5] Remove the WORM PULLEY ASSEMBLY.
- [6] Remove the DIRECTION LEVER LINK from the DIRECTION LEVER.

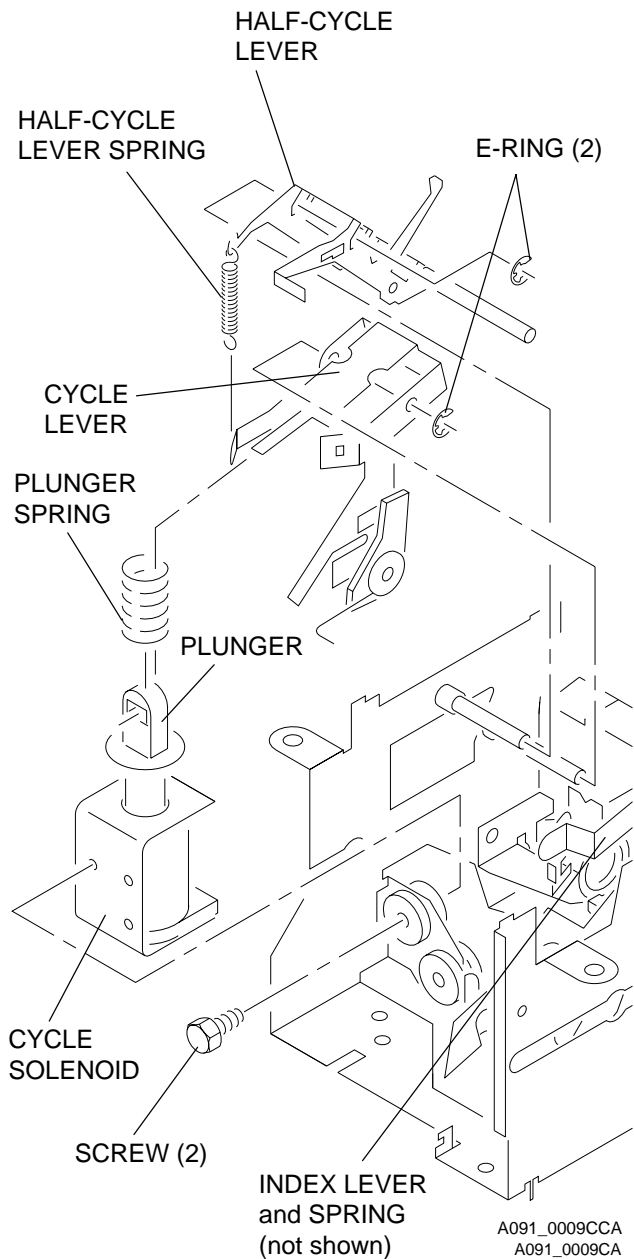
- [7] Remove the DIRECTION LEVER SPRING from the DIRECTION LEVER.
- [8] Disconnect the LIFT LEVER SPRING from LIFT LEVER on the TOP PLATE of the MECHANISM ASSEMBLY.
- [9] Remove the RETARD SPRING.
- [10] Remove the 7 *Torx* SCREWS from the TOP PLATE of the MECHANISM ASSEMBLY.
- [11] Remove the TOP PLATE.
- [12] Remove the LIGHT BAFFLE.



- [13] Remove the NUT from the LIFT LEVER SHAFT.
- [14] Remove the LIFT LEVER and SHAFT.
- [15] Remove the 2 E-RINGS from the 2 CAM SHAFT BEARINGS.
- [16] Remove the 2 CAM SHAFT BEARINGS.
- [17] Press and hold the SELECT LEVER down.
- [18] Remove the CAM STACK ASSEMBLY.
- [19] Disconnect the SELECT LEVER SPRING from the TAB and remove the SELECT LEVER.



A091_0010HCA
A091_0010HA



- [20] Remove the 2 SCREWS from the CYCLE SOLENOID.
- [21] Remove the CYCLE SOLENOID.
- [22] Slide the PLUNGER and PLUNGER SPRING off the CYCLE LEVER.
- [23] Remove the HALF CYCLE SPRING between the CYCLE LEVER ASSEMBLY and the HALF CYCLE LEVER.
- [24] Disconnect the INDEX LEVER SPRING from the MECHANISM ASSEMBLY.
- [25] Push the INDEX LEVER back.
- [26] Remove the 2 E-RINGS:
 - 1 on the CYCLE LEVER ASSEMBLY
 - 1 on the HALF CYCLE LEVER

**Caution**

Keep both the CYCLE LEVER ASSEMBLY and the HALF CYCLE LEVER together and observe the orientation of both LEVERS.

- [27] Slide both the CYCLE LEVER and HALF CYCLE LEVER off the SHAFT.

Installing the CAM STACK ASSEMBLY and CYCLE LEVER ASSEMBLY

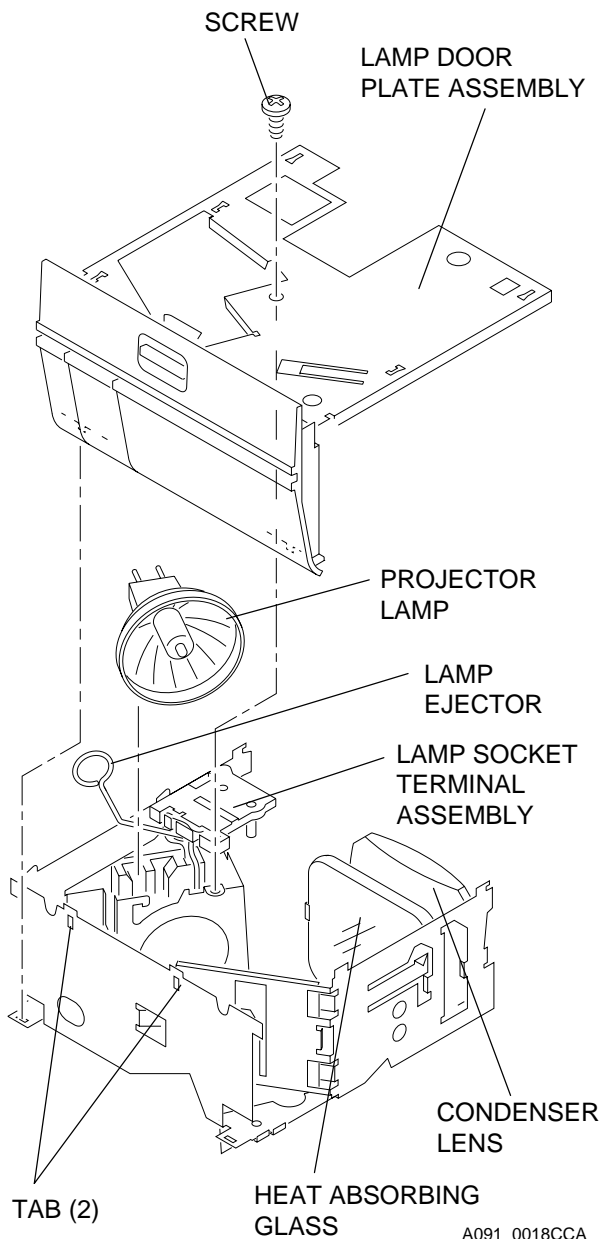
**Caution**

Keep both the CYCLE LEVER ASSEMBLY and the HALF CYCLE LEVER together and observe the orientation of both LEVERS.

- [1] Do the replacement procedure for the CAM STACK ASSEMBLY and CYCLE LEVER ASSEMBLY in reverse order.

Replacing the LAMP SOCKET TERMINAL ASSEMBLY

Style 1 LAMP SOCKET TERMINAL ASSEMBLY



A091_0018CCA
A091_0018CA

Warning

Dangerous Voltage

- [1] Disconnect the main power.

Important

The EXTRA BRIGHT LAMP MODULE does not have a HEAT ABSORBING GLASS and has a LABEL on the LAMP DOOR.

- [2] Remove the LAMP MODULE.
- [3] Remove the PROJECTION LAMP from the LAMP MODULE.
- [4] Remove the SCREW from the LAMP DOOR PLATE ASSEMBLY.
- [5] Release the 2 TABS on the bottom side of the LAMP MODULE next to the LAMP MODULE DOOR.
- [6] Remove the LAMP DOOR PLATE ASSEMBLY.

Caution

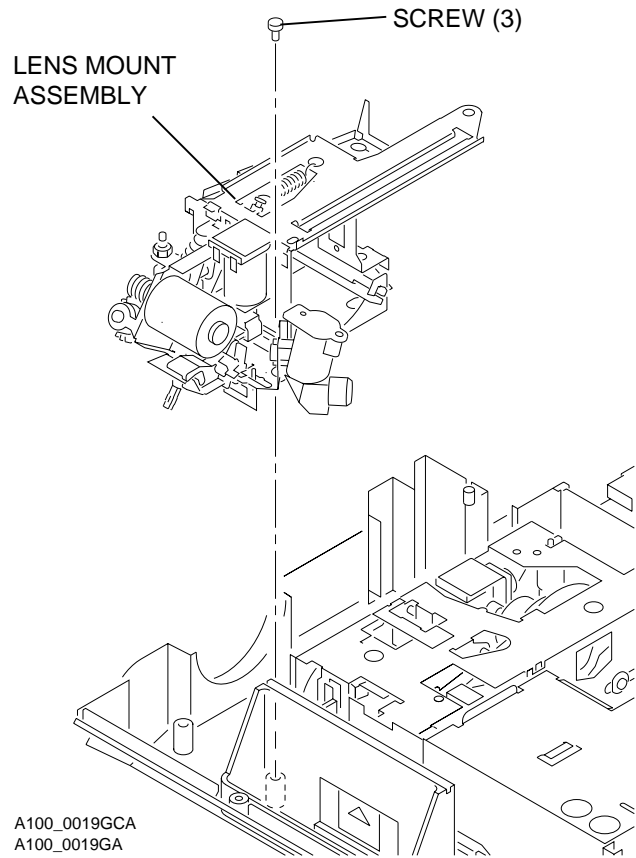
Remove the CONDENSER LENS and HEAT ABSORBING GLASS and set the parts on a clean cloth. Do not set on a cold surface; this will cause damage to the parts.

- [7] Remove the LAMP EJECTOR.
- [8] Remove the LAMP SOCKET TERMINAL ASSEMBLY.

Installing the LAMP SOCKET TERMINAL ASSEMBLY

- [1] Do the replacement procedure for the LAMP SOCKET TERMINAL ASSEMBLY in reverse order.

Replacing the LENS MOUNT ASSEMBLY - Auto Focus Model



Warning

Dangerous Voltage

- [1] Disconnect the main power.
- [2] Do the replacement procedure for the LOWER HOUSING ASSEMBLY.
- [3] Remove the FOCUS KNOB.



Important

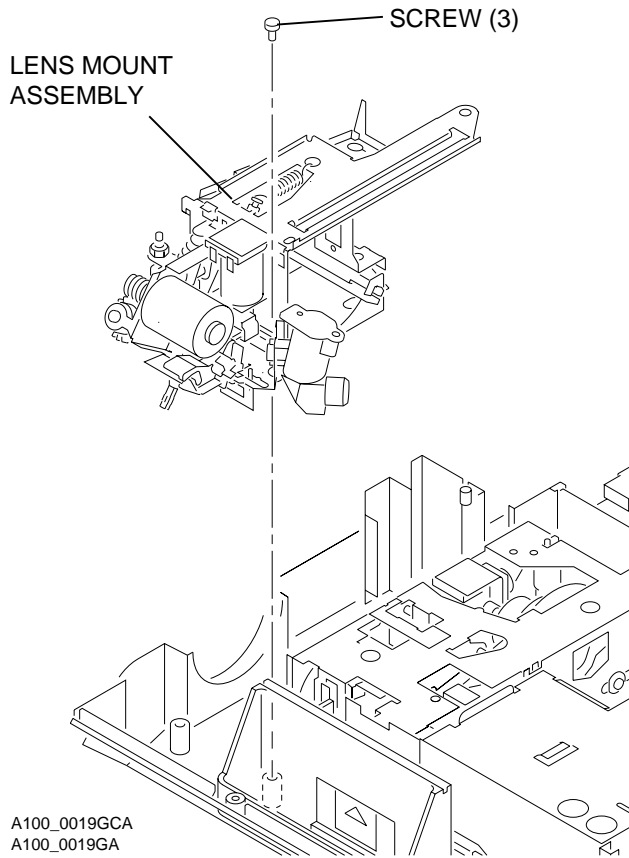
It is necessary to push the AUTO-FOCUS BRACKET backward and forward to allow access to the SCREWS on the LENS MOUNT ASSEMBLY.

- [4] Remove the 3 SCREWS from the LENS MOUNT ASSEMBLY.
- [5] Lift and remove the LENS MOUNT ASSEMBLY.

Installing the LENS MOUNT ASSEMBLY - Auto Focus Models

- [1] Do the replacement procedure for the LENS MOUNT ASSEMBLY in reverse order.

Replacing the LENS MOUNT ASSEMBLY - Non Auto Focus Model



Warning

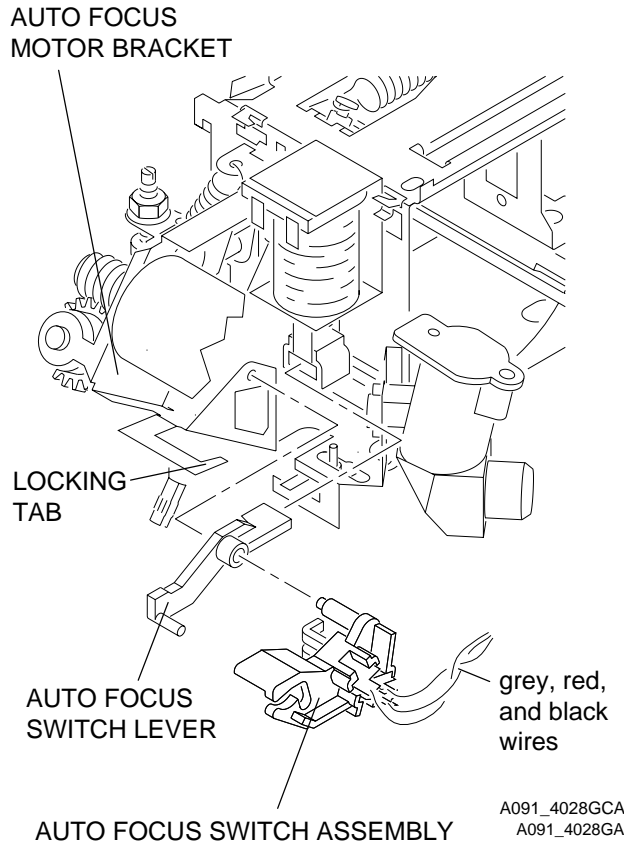
Dangerous Voltage

- [1] Disconnect the main power.
- [2] Do the replacement procedure for the LOWER HOUSING ASSEMBLY.
- [3] Remove the FOCUS KNOB.
- [4] Remove the 3 SCREWS from the LENS MOUNT ASSEMBLY.
- [5] Lift and remove the LENS MOUNT ASSEMBLY.

Installing the LENS MOUNT ASSEMBLY - Non Auto Focus Model

- [1] Do the replacement procedure for the LENS MOUNT ASSEMBLY in reverse order.

Replacing the AUTO-FOCUS SWITCH ASSEMBLY



Warning

Dangerous Voltage

- [1] Disconnect the main power.
- [2] Do the replacement procedure for the LOWER HOUSING ASSEMBLY.
- [3] Remove the FOCUS KNOB.
- [4] Remove the short, gray wire from the AUTO-FOCUS DEFEAT SWITCH.

Important

It is necessary to push the AUTO-FOCUS BRACKET backward and forward to allow access to the SCREWS on the LENS MOUNT ASSEMBLY.

- [5] Remove the 3 SCREWS from the LENS MOUNT ASSEMBLY.
- [6] Lift and remove the LENS MOUNT ASSEMBLY.
- [7] Remove the gray, red, and black wires from the AUTO FOCUS SWITCH ASSEMBLY.

Important

Keep the AUTO-FOCUS SWITCH LEVER that is connected to the AUTO FOCUS SWITCH so you can install it on the new AUTO FOCUS SWITCH.

- [8] To disconnect and remove the AUTO FOCUS SWITCH, bend the LOCKING TAB on the FOCUS MOTOR BRACKET until it is aligned with the hole in the AUTO FOCUS SWITCH.

Installing the AUTO-FOCUS SWITCH ASSEMBLY

Important

Align the 2 TABS on the AUTO-FOCUS SWITCH with the FOCUS MOTOR BRACKET, checking that the end of the AUTO-FOCUS LEVER engages with the CYCLE SOLENOID PLUNGER. After the AUTO-FOCUS SWITCH is in the correct position, bend the LOCKING TAB to hold the AUTO FOCUS SWITCH in place.

- [1] Do the replacement procedure for the AUTO-FOCUS SWITCH in reverse order.

Replacing the FOCUS SHAFT ASSEMBLY - Auto Focus Models

Warning

Dangerous Voltage

- [1] Disconnect the main power.

[2] Do the replacement procedure for the LOWER HOUSING ASSEMBLY.

[3] Remove the FOCUS KNOB.

 **Important**

It is necessary to push the AUTO-FOCUS BRACKET backward and forward to allow access to the SCREWS on the LENS MOUNT ASSEMBLY.

[4] Remove the 3 SCREWS from the LENS MOUNT ASSEMBLY.

[5] Lift and remove the LENS MOUNT ASSEMBLY.

[6] Remove the FOCUS SHAFT SPRING from the LENS MOUNT BRACKET.

[7] Remote models only: Remove the SPRING from the CLAMP LEVER on the LENS MOUNT BRACKET.

[8] Remove the SPRING from the PHOTOCELL BRACKET.

[9] Remove the E-RING and SPACER from the FOCUS SHAFT ASSEMBLY.

[10] Remove the SCREW from the LENS SUPPORT BRACKET.

[11] Lift and remove the LENS SUPPORT BRACKET.

[12] Remote models: Remove the AUTO-FOCUS SWITCH ASSEMBLY.

[13] Remote models: Remove the SCREW from the RACK SOLENOID ASSEMBLY.

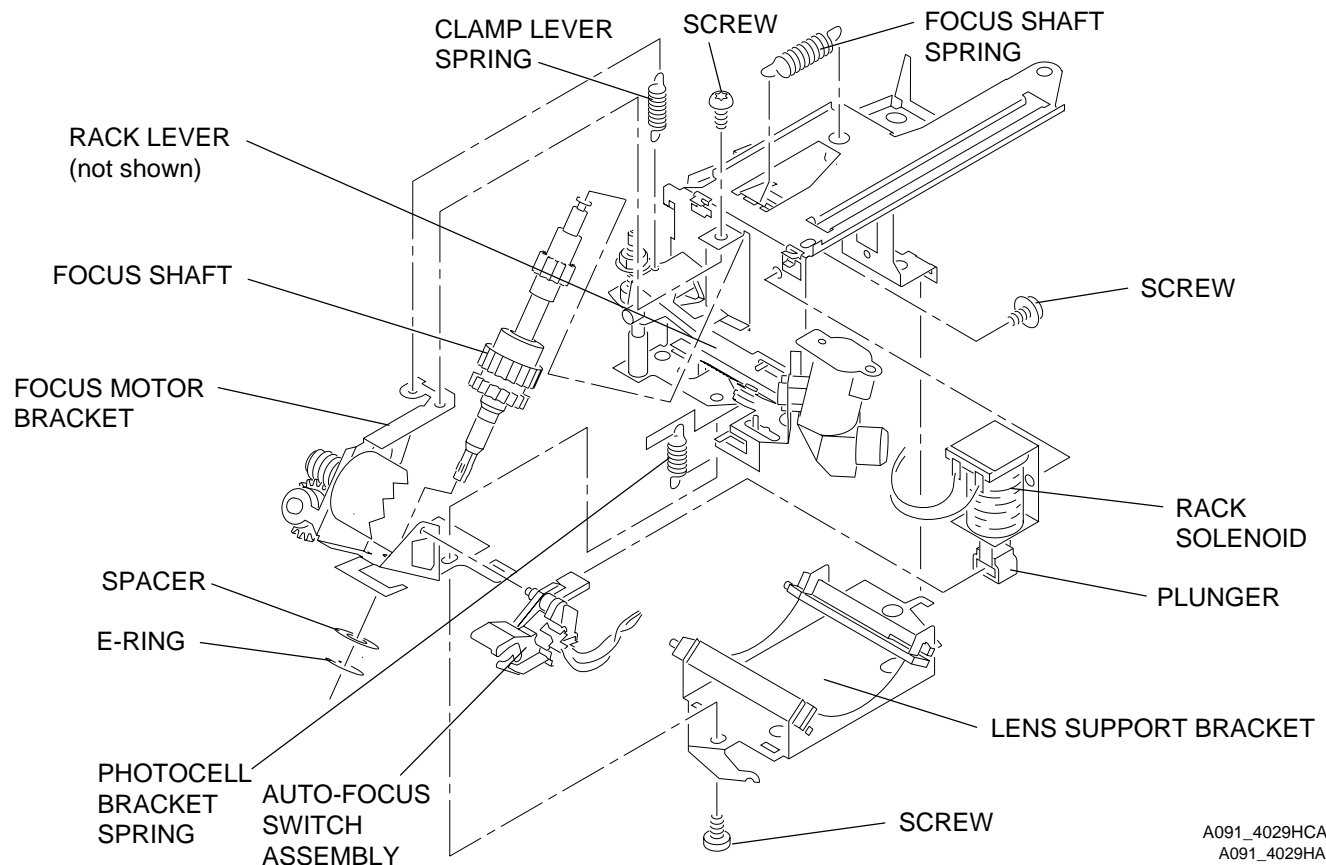
[14] Remote models: Remove the RACK SOLENOID ASSEMBLY and PLUNGER.

[15] Remote models: Remove the SCREW from the FOCUS MOTOR BRACKET ASSEMBLY.

[16] Remove the FOCUS MOTOR BRACKET ASSEMBLY.

[17] Push the RACK LEVER away from the FOCUS SHAFT ASSEMBLY.

[18] Remove the FOCUS SHAFT ASSEMBLY.



A091_4029HCA
A091_4029HA

Installing the FOCUS SHAFT ASSEMBLY



Important

Do the adjustments for the PHOTOCELL NULL and AUTO-FOCUS CLAMP after installation. See the Adjustments section.

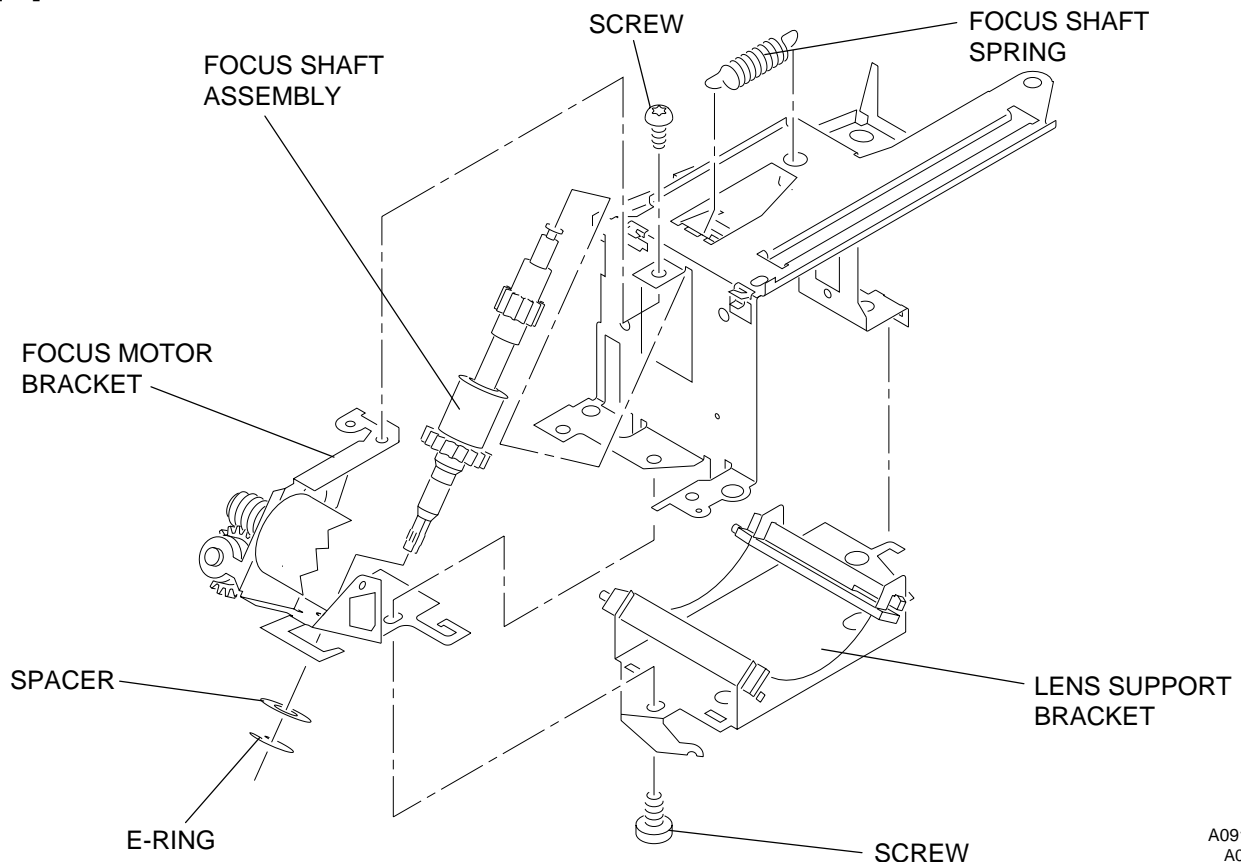
Replacing the FOCUS SHAFT ASSEMBLY - Non Auto-Focus Models



Warning

Dangerous Voltage

- [1] Disconnect the main power.
- [2] Do the replacement procedure for the LOWER HOUSING ASSEMBLY.
- [3] Remove the FOCUS KNOB.
- [4] Remove the 3 SCREWS from the LENS MOUNT ASSEMBLY.
- [5] Lift and remove the LENS MOUNT ASSEMBLY.
- [6] Remove the FOCUS SHAFT SPRING from the LENS MOUNT BRACKET.
- [7] Remove the E-RING and SPACER from the FOCUS SHAFT ASSEMBLY.
- [8] Remove the SCREW from the LENS SUPPORT BRACKET.
- [9] Lift and remove the LENS SUPPORT BRACKET.
- [10] Remove the E-RING and SPACER from the FOCUS SHAFT ASSEMBLY.
- [11] Remove the SCREW from the FOCUS MOTOR BRACKET ASSEMBLY.
- [12] Remove the FOCUS MOTOR BRACKET ASSEMBLY.
- [13] Remove the FOCUS SHAFT ASSEMBLY.



A091_0020HCA
A091_0020HA

Installing the FOCUS SHAFT ASSEMBLY

- [1] Do the replacement procedure for the FOCUS SHAFT ASSEMBLY in reverse order.

Section 2: Adjustments

Adjustment Specification

Use T-BAR TL-3003 to bend the CYCLE LEVER to adjust the CYCLE SOLENOID.

Adjusting the CYCLE SOLENOID



Warning

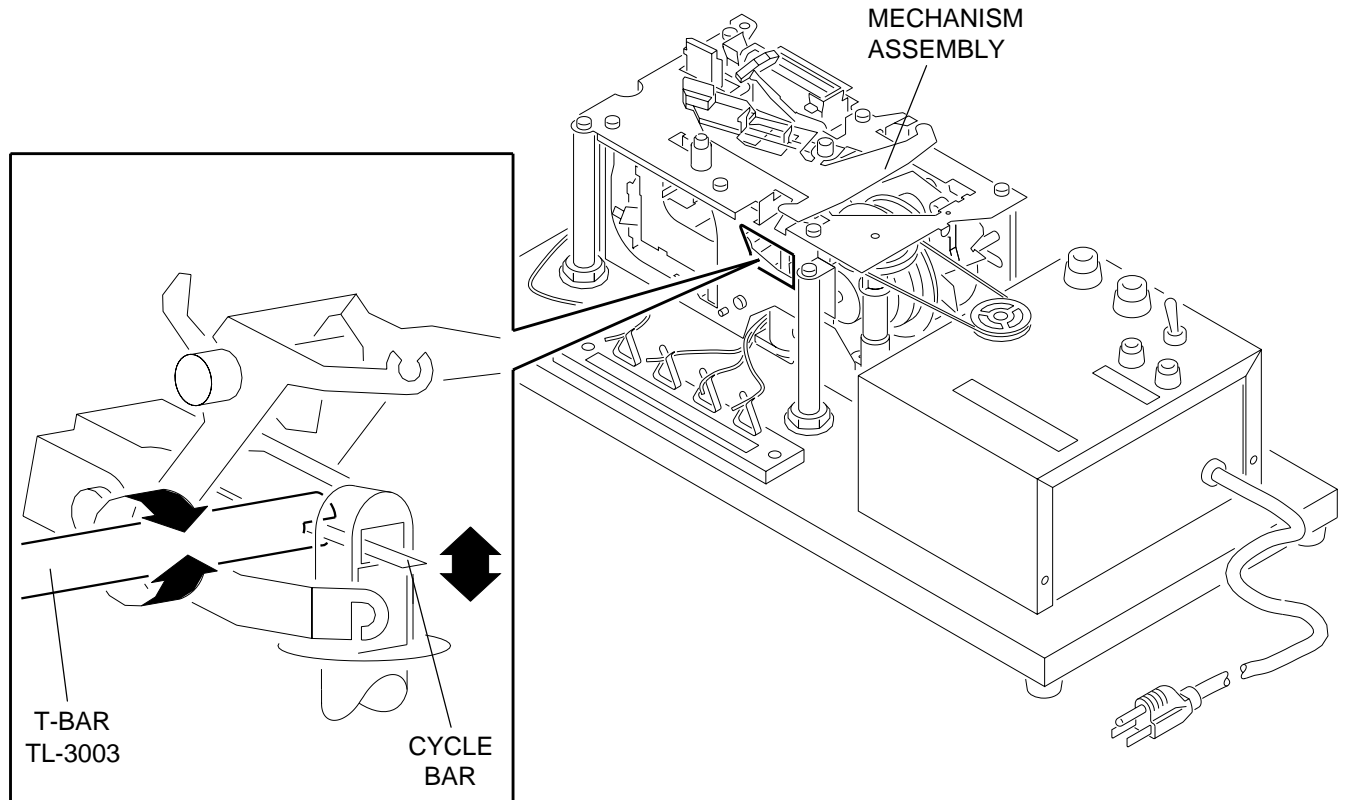
Dangerous Voltage

- [1] Connect the main power.



Important

1. The CYCLE SOLENOID must operate correctly to do this adjustment.
2. The MECHANISM ASSEMBLY does not have to be removed to do this adjustment.
- [2] Do the removal for the LOWER HOUSING ASSEMBLY.
- [3] Bend the CYCLE LEVER up or down. Use T-BAR TL-3003.
- [4] Energize the projector.
- [5] Press the "FORWARD" BUTTON to check for correct operation.
- [6] Press the "REVERSE" BUTTON to check for correct operation.
- [7] Do the steps above until the FORWARD and REVERSE functions operates correctly.



A091_0007HCA
A091_0007HA

Adjustment Specification

This adjustment adjusts the strobe and timing of the INDEXER LEVER. The gate edge of the black plastic of the INDEXER LEVER should be between the 2 holes at position 2.

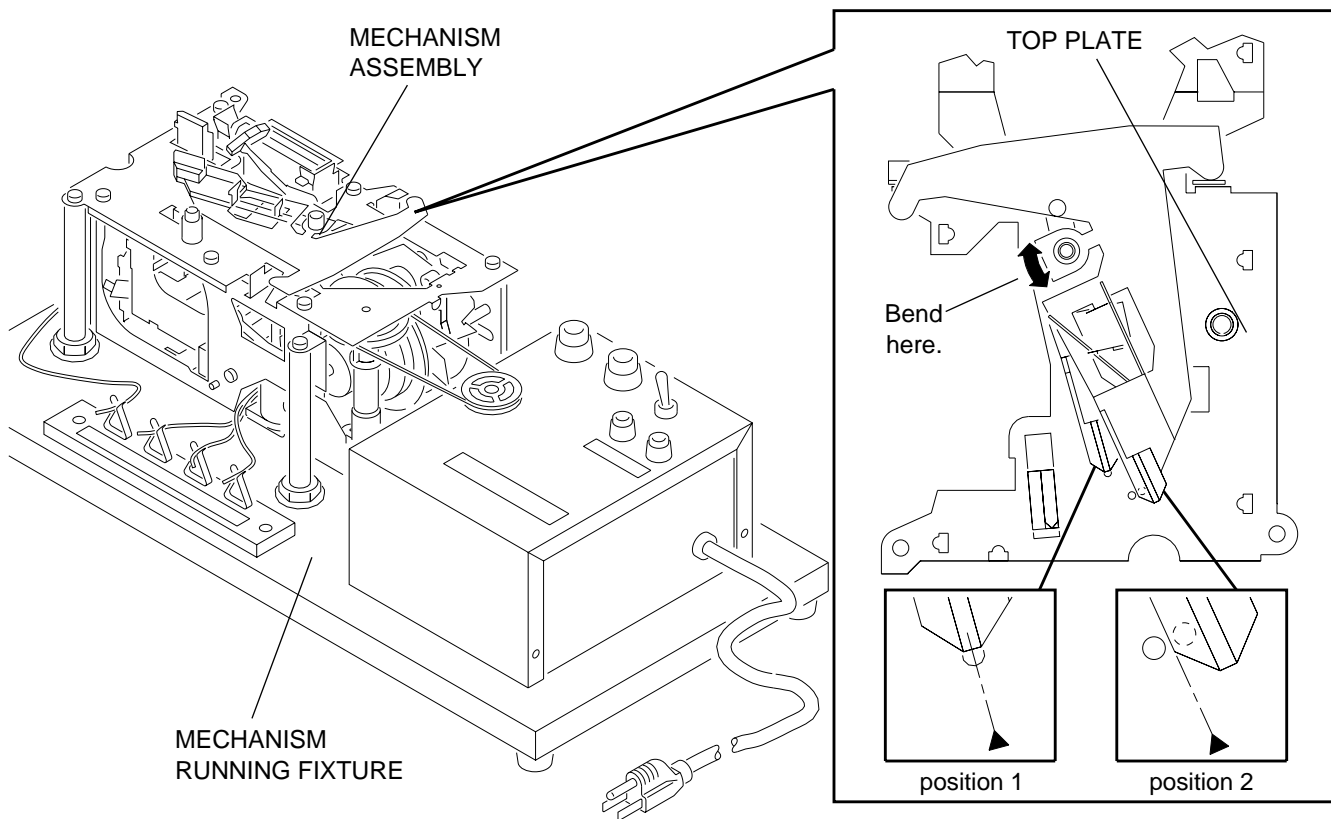
Adjusting the INDEXER LEVER ASSEMBLY



Warning

Dangerous Voltage

- [1] Disconnect the main power.
- [2] Do the removal for the MECHANISM ASSEMBLY.
- [3] Place the MECHANISM ASSEMBLY on the MECHANISM RUNNING FIXTURE.
- [4] Check the alignment of the INDEXER LEVER with the hole in the TOP PLATE ASSEMBLY at Position 1.
- [5] Bend the INDEXER LEVER to the correct position.
- [6] Check the travel of the INDEXER LEVER in the FORWARD position. When the INDEXER LEVER moves in the FORWARD position, the gate edge of the black plastic should be between the 2 holes at Position 2.
- [7] Bend the INDEXER LEVER until you reach the correct position.



A091_0008HCA
A091_0008HA

Adjustment Specification

Use a MECHANISM RUNNING FIXTURE. Use TL-3001 to measure the height of the SLIDE LIFT LEVER. The LEVER should make contact with the low surface of TL-3001. The LEVER should not make contact with the high surface of TL-3001.

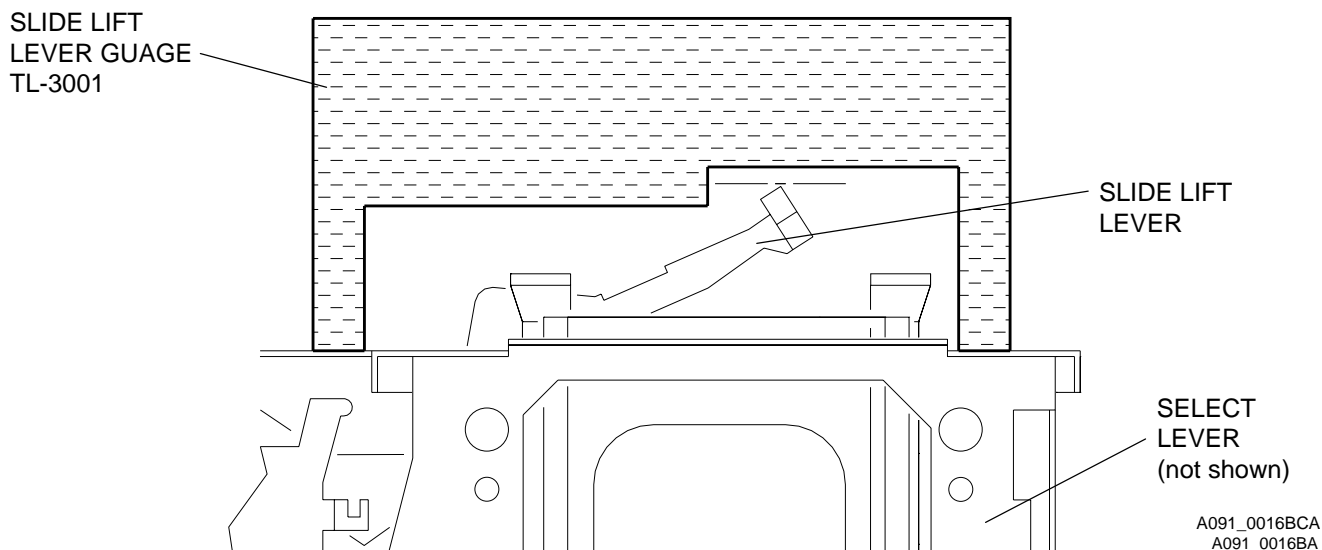
Adjusting the SLIDE LIFT LEVER MANUAL, with MECHANISM Out



Warning

Dangerous Voltage

- [1] Disconnect the main power.
- [2] Do the removal for the MECHANISM ASSEMBLY.
- [3] Place the MECHANISM ASSEMBLY on the MECHANISM RUNNING FIXTURE.
- [4] Press and hold the SELECT LEVER down to move the SLIDE LIFT LEVER to the highest position.
- [5] Measure the height of the SLIDE LIFT LEVER. Use SLIDE LIFT LEVER GAUGE TL-3001. The SLIDE LIFT LEVER should make contact with the low surface of the SLIDE LIFT LEVER GAUGE TL-3001; the SLIDE LIFT LEVER should not make contact with the high surface of the SLIDE LIFT LEVER GAUGE TL-3001.
- [6] Bend the SLIDE LIFT LEVER until the adjustment is correct.



Adjustment Specification

Use MECHANISM RUNNING FIXTURE. Use TL-3001 to measure the height of the SLIDE LIFT LEVER. The LEVER should make contact with the low surface of TL-3001. The LEVER should not make contact with the high surface of TL-3001.

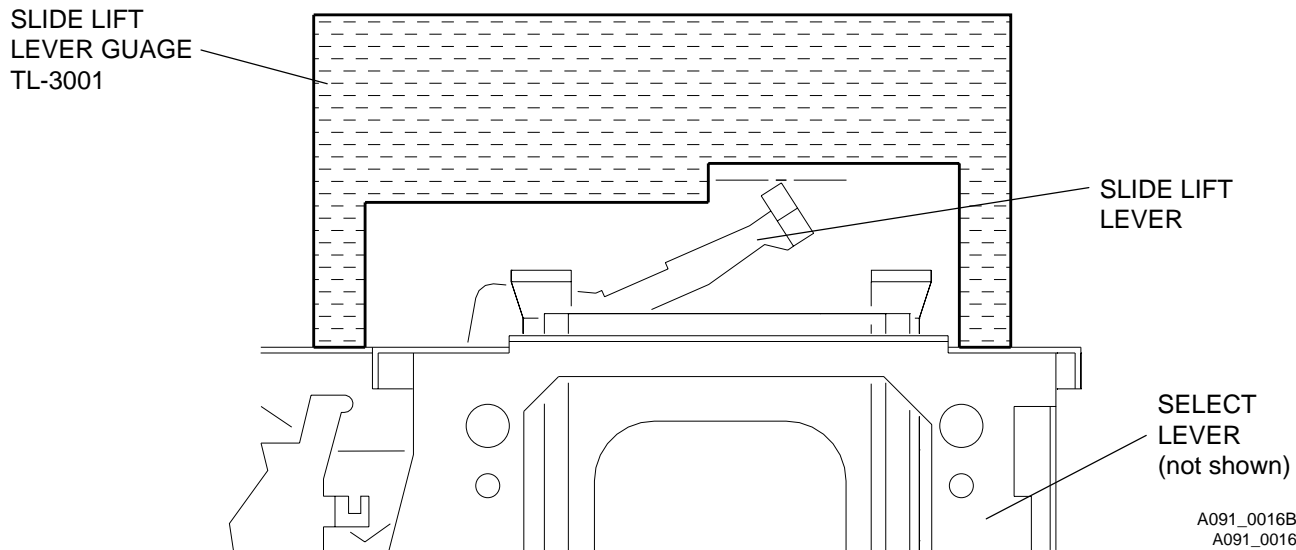
Adjusting the SLIDE LIFT LEVER POWER with Mechanism Out



Warning

Dangerous Voltage

- [1] Disconnect the main power.
- [2] Do the removal for the MECHANISM ASSEMBLY.
- [3] Place the MECHANISM ASSEMBLY on the MECHANISM RUNNING FIXTURE TL-3000.
- [4] Energize the MECHANISM FIXTURE.
- [5] Press and hold the SELECT LEVER down to move the SLIDE LIFT LEVER to the highest position.
- [6] Measure the height of the SLIDE LIFT LEVER. Use SLIDE LIFT LEVER GAUGE TL-3001. The SLIDE LIFT LEVER should make contact with the low surface of the SLIDE LIFT LEVER GAUGE TL-3001; the SLIDE LIFT LEVER should not make contact with the high surface of the SLIDE LIFT LEVER GAUGE TL-3001.
- [7] Bend the SLIDE LIFT LEVER until the adjustment is correct.



A091_0016BCA
A091_0016BA

Adjusting the Focus Light Path - Auto Focus Models

Adjustment Specification

Seat AUTO-FOCUS TARGET SLIDE TL-3002 on the GATE MECHANISM. Use TL-3005 or TL-1165 to bend the AUTO-FOCUS BRACKET ASSEMBLY MIRROR until the image is within the target of the TARGET SLIDE.



Warning

Dangerous Voltage

- [1] Disconnect the main power.
- [2] Remove the PROJECTION LENS.
- [3] Do the removal for the LOWER HOUSING ASSEMBLY.



Important

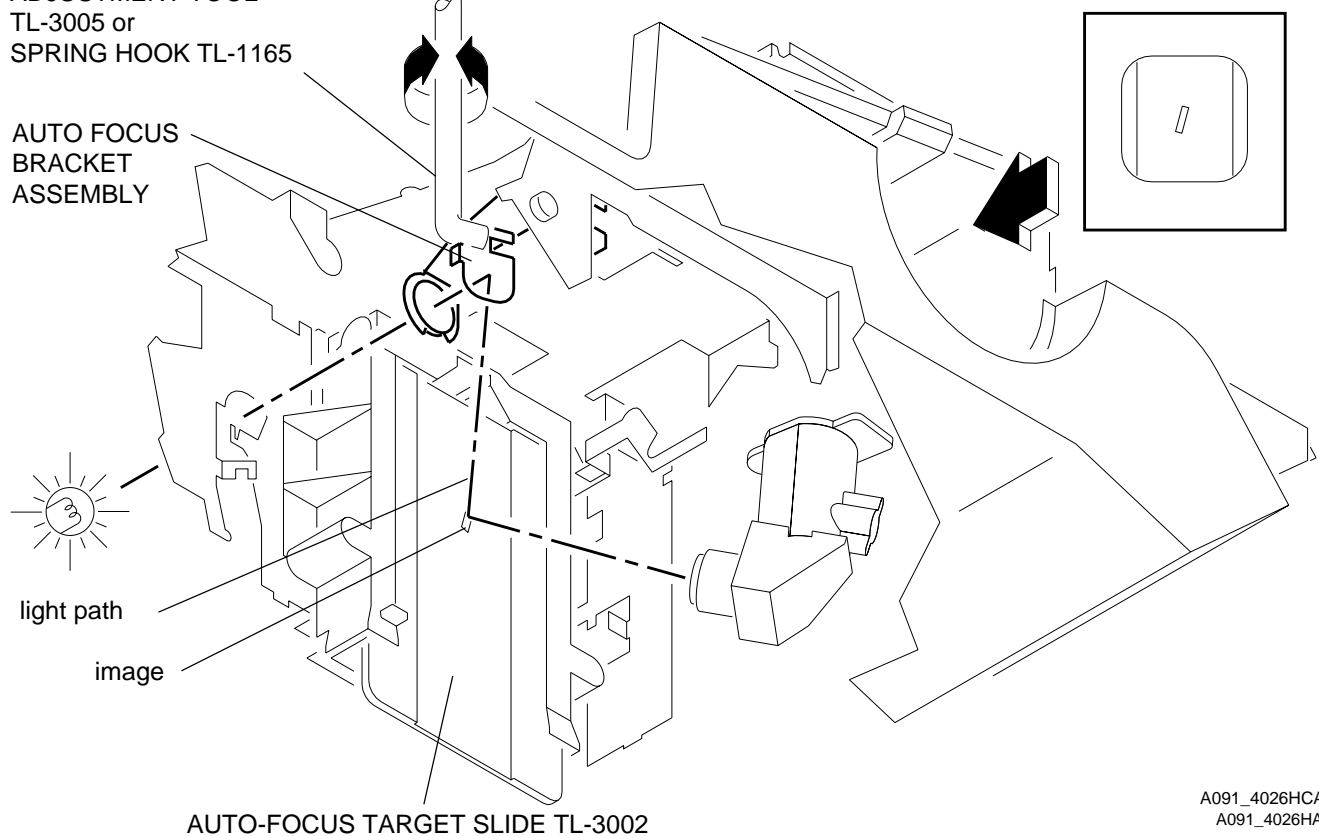
It is necessary to make a FAN COVER TOOL. See the Tools section.

- [4] Install the FAN COVER TOOL over the FAN area and the LAMP MODULE.
- [5] Energize the projector.
- [6] Set the projector to the LOW LAMP position.
- [7] Install the AUTO-FOCUS TARGET SLIDE TL-3002 until it is fully seated in the GATE MECHANISM.
- [8] Look through the PROJECTION LENS hole and observe the focus light path on the AUTO-FOCUS TARGET SLIDE TL-3002.
- [9] Check the position of the image on the AUTO-FOCUS TARGET SLIDE TL-3002.

- [10] Bend the AUTO-FOCUS BRACKET ASSEMBLY MIRROR until the image is within the target on the TARGET SLIDE. Use ADJUSTMENT TOOL TL-3005 or the SPRING HOOK TL-1165.

ADJUSTMENT TOOL
TL-3005 or
SPRING HOOK TL-1165

AUTO FOCUS
BRACKET
ASSEMBLY



AUTO-FOCUS TARGET SLIDE TL-3002

A091_4026HCA
A091_4026HA

Adjustment Specification

Use TL-3002 to observe the focus light path and check the light image. Use T-BAR TL-3003 to bend the PHOTOCCELL BRACKET to move the NULL in the center if necessary.

Adjusting the NULL



Warning

Dangerous Voltage

- [1] Disconnect the main power.
- [2] Do the removal for the LOWER HOUSING ASSEMBLY.



Important

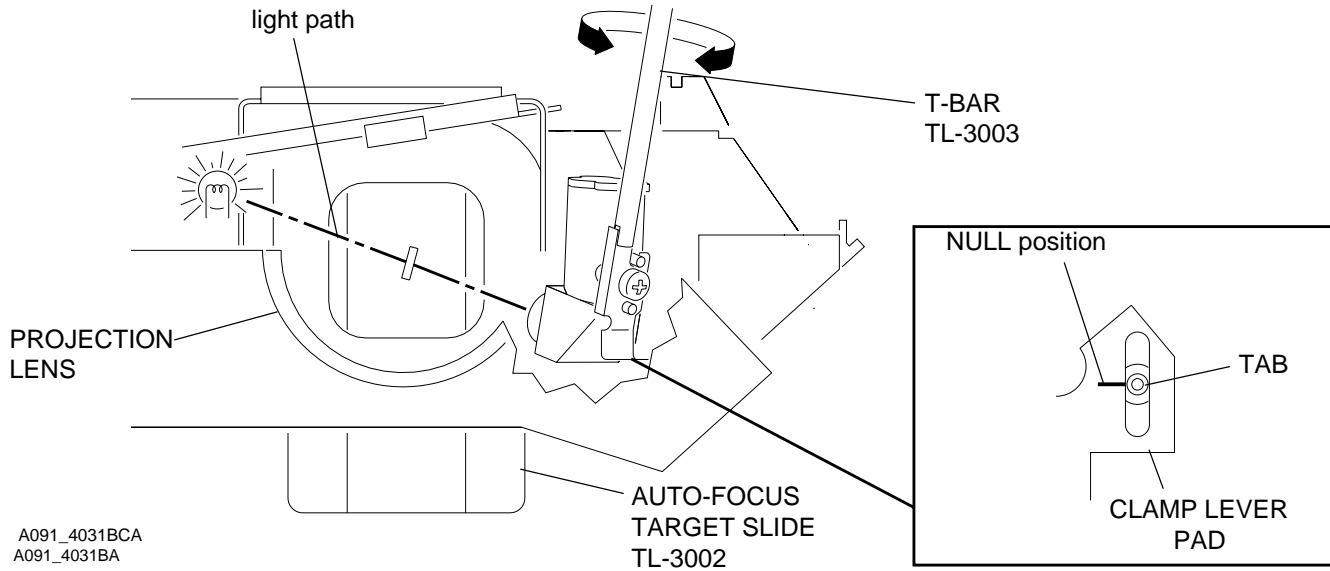
It is necessary to make a FAN COVER TOOL. See the Tools section.

- [3] Install the FAN COVER TOOL over the FAN area and the LAMP MODULE. See the Tools section.
- [4] Energize the projector.
- [5] Set the projector to the LO-LAMP position.
- [6] Install and hold the AUTO FOCUS TARGET SLIDE TL-3002 until it is fully seated in the GATE MECHANISM.
- [7] Look through the PROJECTION LENS hole and observe the focus light path on the AUTO-FOCUS TARGET SLIDE TL-3002. Check that the light image is correct. If not, do the Adjusting the FOCUS LIGHT PATH.
- [8] Check that the TAB on the CLAMP PAD ASSEMBLY is in the NULL position. If the TAB is not in the correct position, do the adjustment procedure for the NULL.
- [9] Bend the PHOTOCCELL BRACKET to move the NULL in the center; use T-BAR TL-3003.



Important

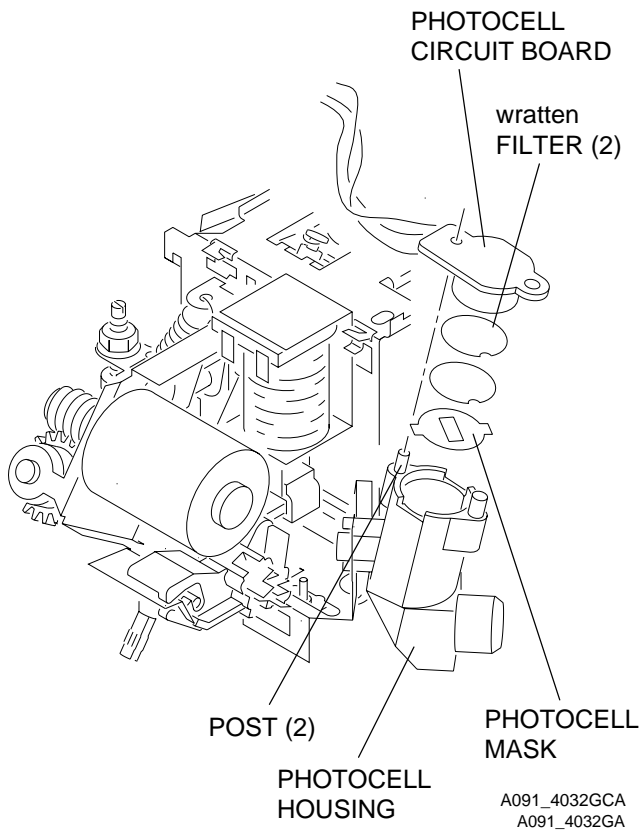
If you cannot obtain the NULL position after doing the adjustment approximately 3 times, go to the adjustment procedure for the PHOTOCELL.



Adjustment Specification

Use TL-3002 and FAN CAP 232729 to check the adjustment of the PHOTOCELL.

Adjusting the PHOTOCELL



Warning

Dangerous Voltage

- [1] Disconnect the main power.
- [2] Do the removal for the LOWER HOUSING ASSEMBLY.



Important

It is necessary to make a FAN COVER TOOL. See the Tools section.

- [3] Install the FAN COVER TOOL over the FAN area and the LAMP MODULE. See the Tools section.

**Warning**

Dangerous Voltage

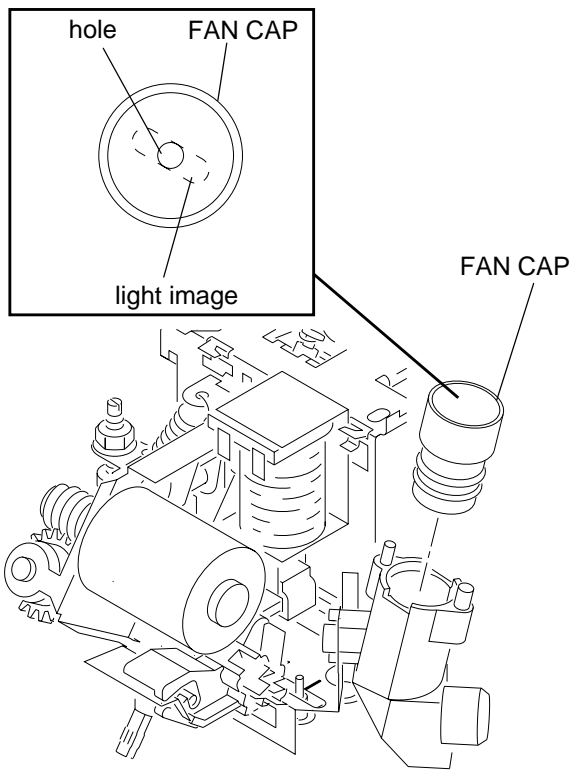
- [4] Energize the projector.
- [5] Set the projector to the LO-LAMP position.
- [6] Install and hold the AUTO FOCUS TARGET SLIDE TL-3002 until it is fully seated in the GATE MECHANISM.
- [7] Look through the PROJECTION LENS hole and observe the focus light path on the AUTO-FOCUS TARGET SLIDE TL-3002. Check that the light path is correct. If not, do the adjustment procedure for the FOCUS LIGHT PATH.

**Warning**

Dangerous Voltage

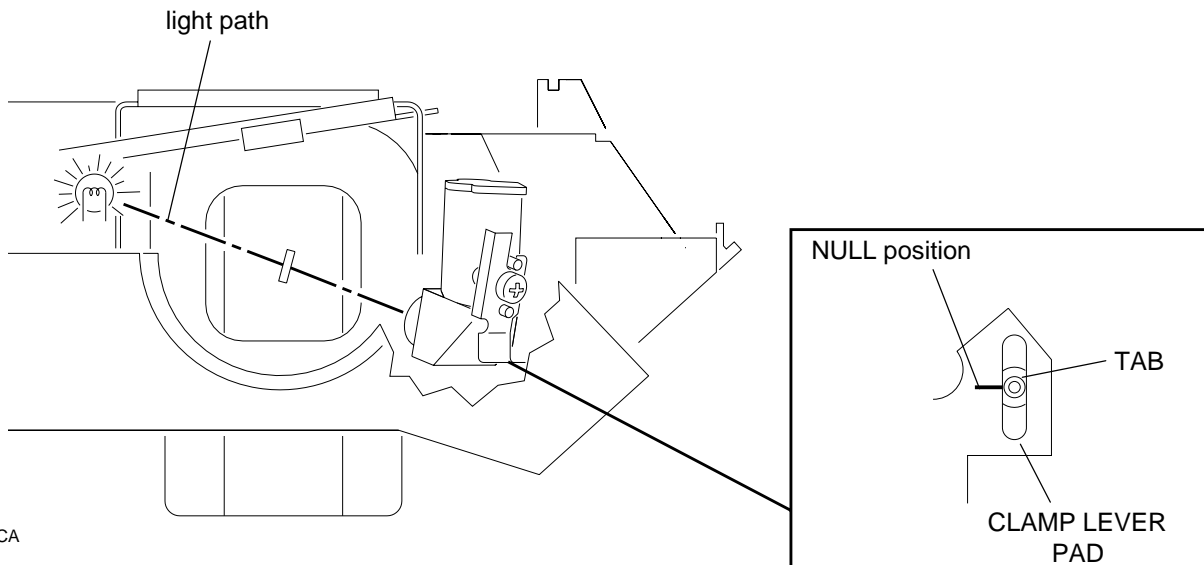
- [8] Disconnect the main power.
- [9] Heat the 2 POSTS on the PHOTOCELL HOUSING to allow the POSTS to bend enough to pull the PHOTOCELL CIRCUIT BOARD up and off the PHOTOCELL HOUSING. Use a SOLDERING IRON.
- [10] Remove the 2 Wratten FILTERS and the PHOTOCELL MASK.

[11] Install the FAN CAP 232729 in the PHOTOCCELL HOUSING.



A091_4033GCA
A091_4033GA

[12] Manually move the CLAMP PAD ASSEMBLY until the TAB is in the NULL position.



A091_4027BCA
A091_4027BA



Warning

Dangerous Voltage

[13] Connect the main power.



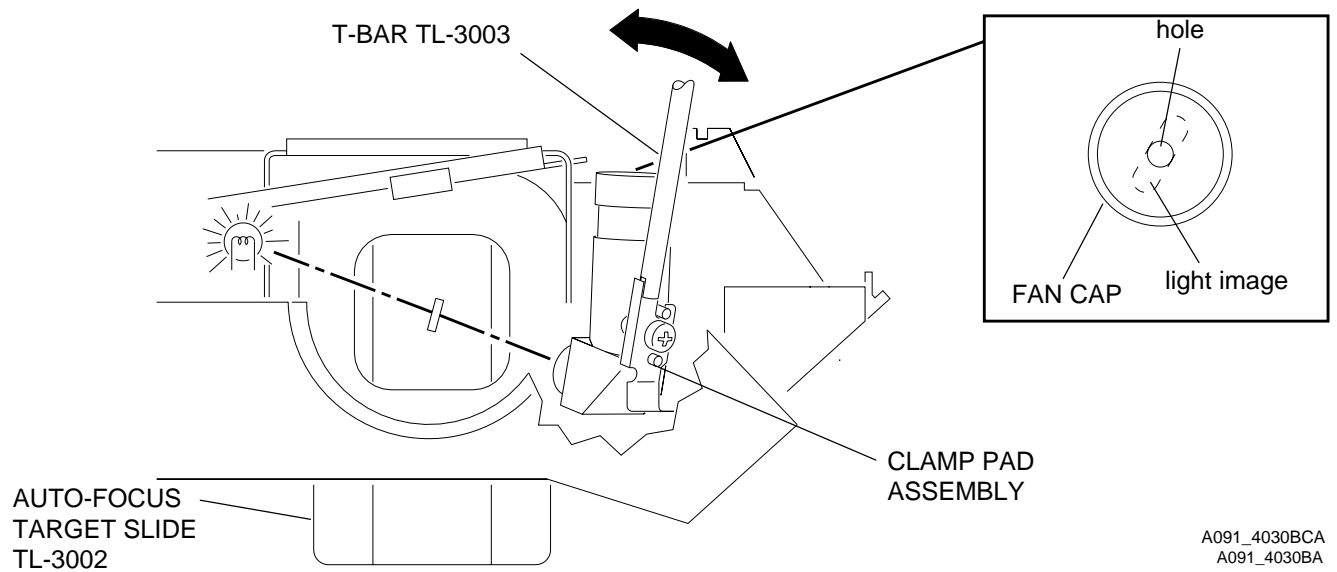
Important

It is necessary to make a FAN COVER TOOL. See the Tools section.

[14] Install the FAN COVER TOOL over the FAN area and the LAMP MODULE. See the Tools section.

[15] Install and hold the AUTO FOCUS TARGET SLIDE TL-3002 until it is fully seated in the GATE MECHANISM.

- [16] Set the projector to the LO-LAMP position.
- [17] Observe the image of the focus light path on the bottom of the FAN CAP; the light path should be in the center of the hole in the FAN CAP.
- [18] Bend the CLAMP PAD ASSEMBLY until the image is in the center of the hole in the FAN CAP.
- [19] Assemble the PHOTOCELL MASK, FILTERS and PHOTOCELL BOARD.

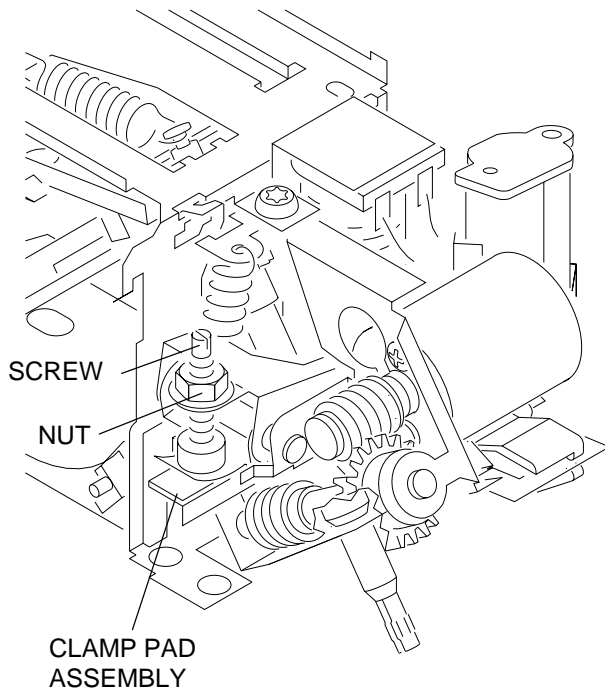


A091_4030BCA
A091_4030BA

Adjustment Specification

Use TL-1744 to check that the CLAMP PAD ASSEMBLY moves forward and backward.

Adjusting the CLAMP PAD ASSEMBLY



A091_4041GCA
A091_4041GA

Warning

Dangerous Voltage

- [1] Disconnect the main power.
- [2] Do the removal for the LOWER HOUSING ASSEMBLY.

Important

It is necessary to make a FAN COVER TOOL. See the Tools section.

- [3] Install the FAN COVER TOOL over the FAN area and the LAMP MODULE. See the Tools section.
- [4] Connect the REMOTE CONTROL ASSEMBLY EC-3 to the REMOTE RECEPTACLE.

Warning

Dangerous Voltage

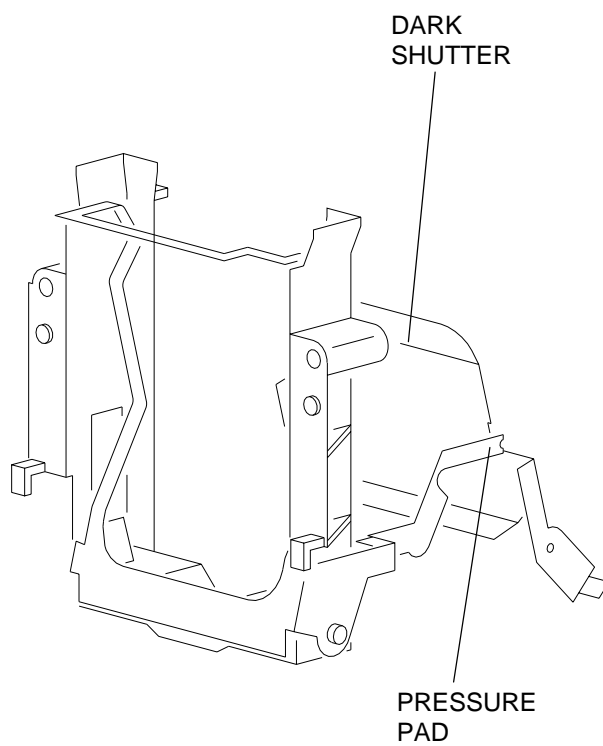
- [5] Connect the main power.
- [6] Loosen the NUT on the CLAMP PAD ASSEMBLY.
- [7] Energize the REMOTE FOCUS in either direction.
- [8] Rotate the SCREW on the CLAMP PAD ASSEMBLY to adjust the pressure of the REMOTE FOCUS CLAMP on the CLAMP PAD ASSEMBLY until the CLAMP PAD ASSEMBLY does not move.
- [9] Release the REMOTE FOCUS.
- [10] Tighten the NUT on the CLAMP PAD ASSEMBLY.
- [11] Install the AUTO-FOCUS GAUGE TL-1744 in the MECHANISM GATE. The CLAMP PAD ASSEMBLY should move forward and backward using TL-1744. If not, adjust the SCREW on the CLAMP PAD ASSEMBLY again; the CLAMP PAD ASSEMBLY adjustment is too tight and not correct.

Adjustment Specification

The PRESSURE PAD should be aligned with the DARK SHUTTER.

Adjusting the DARK SHUTTER

- [1] Do the removal for the LOWER HOUSING.
- [2] Insert a thin SLIDE into the GATE MECHANISM; the DARK SHUTTER should open.
- [3] Check the the PRESSURE PAD is correctly aligned with the the DARK SHUTTER.
- [4] Bend the PRESSURE PAD to adjust the alignment.

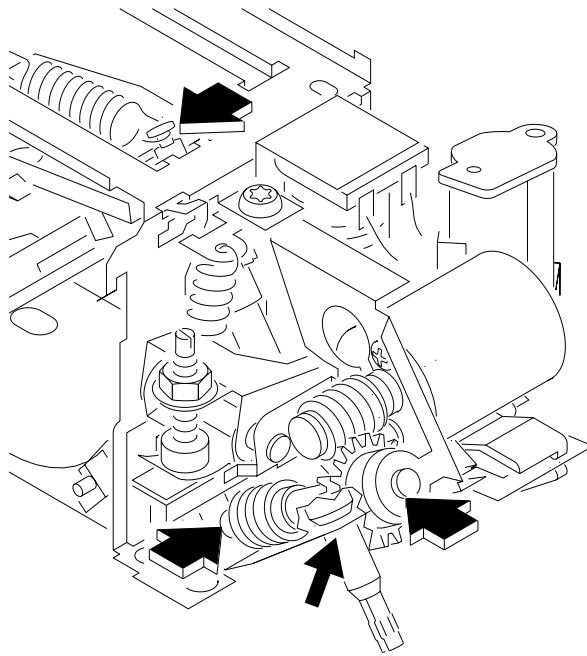


A091_0013GCA
A091_0013GA

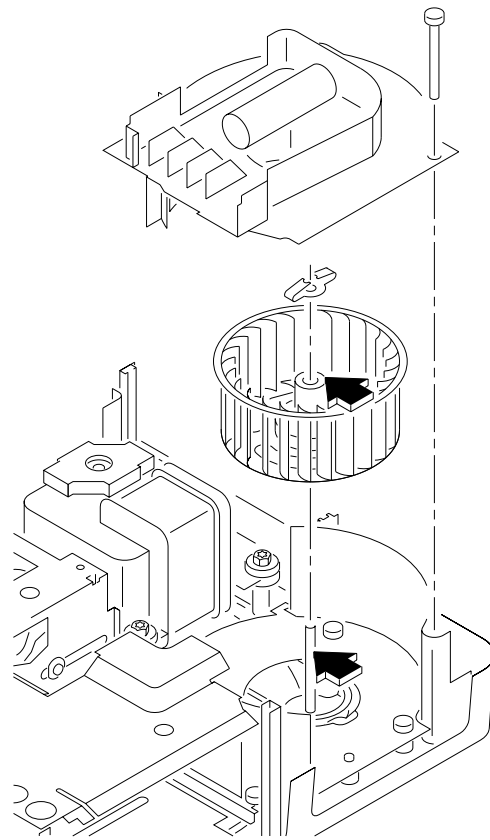
Section 3: Lubrication

Apply lubricant SUPER LUBE TL-4276 to the following parts and areas of the projector; see the illustrations.

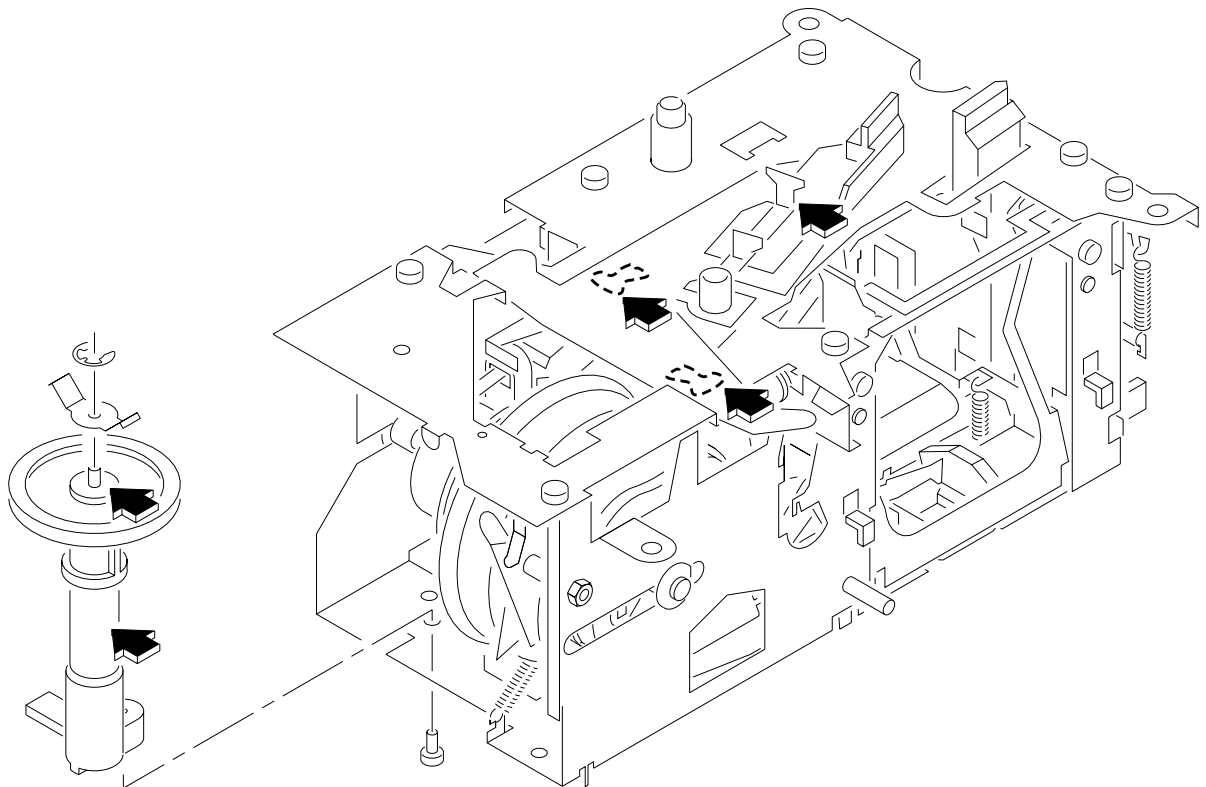
- FAN
- INDEXER LEVER and TOP PLATE
- WORM PULLEY ASSEMBLY
- CAM STACK ASSEMBLY
- CYCLE LEVERS
- PIVOT SHAFT and LEVERS
- LENS MOUNT ASSEMBLY



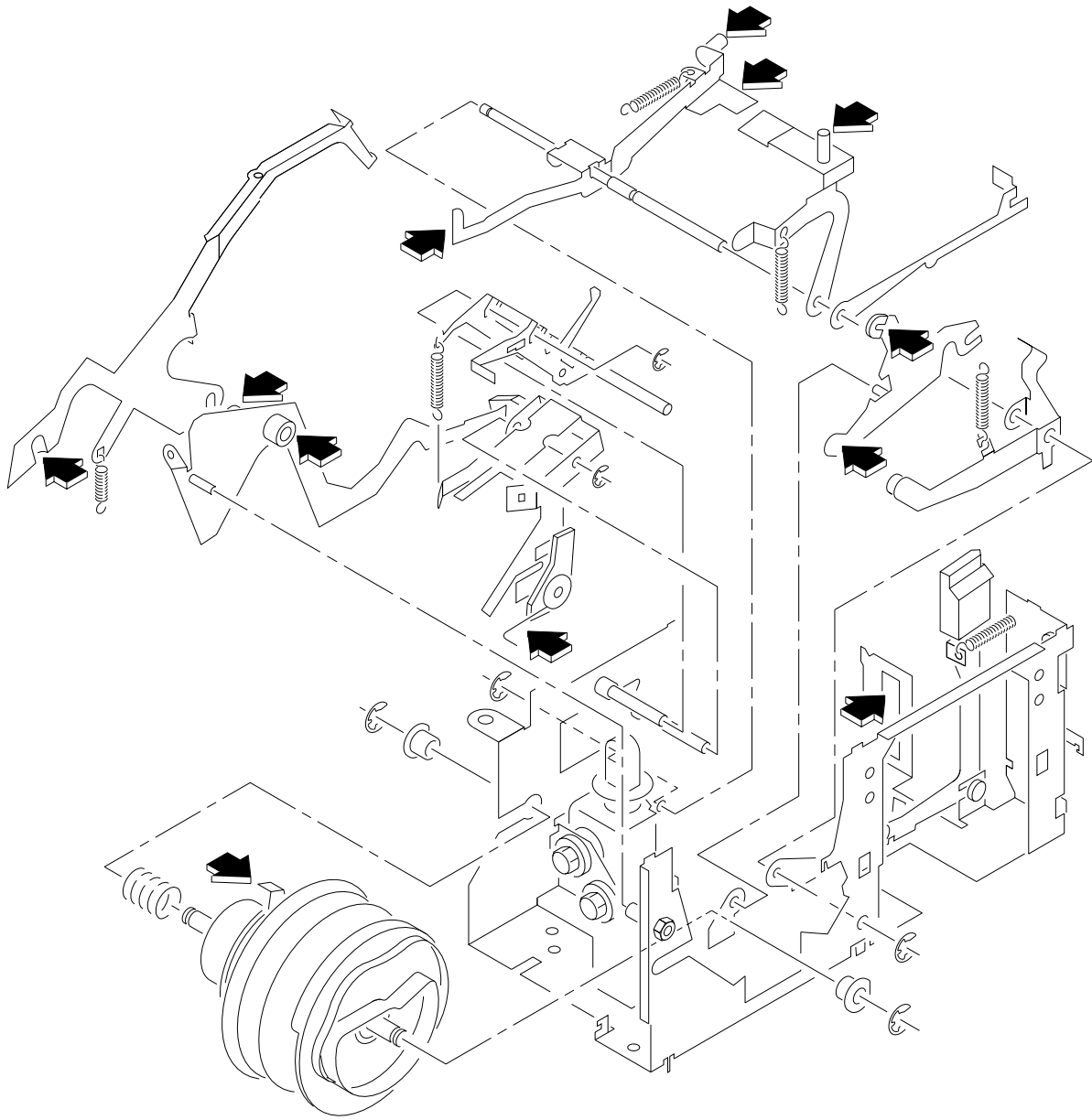
A091_4037GA



A100_0020GA



A091_0023HA



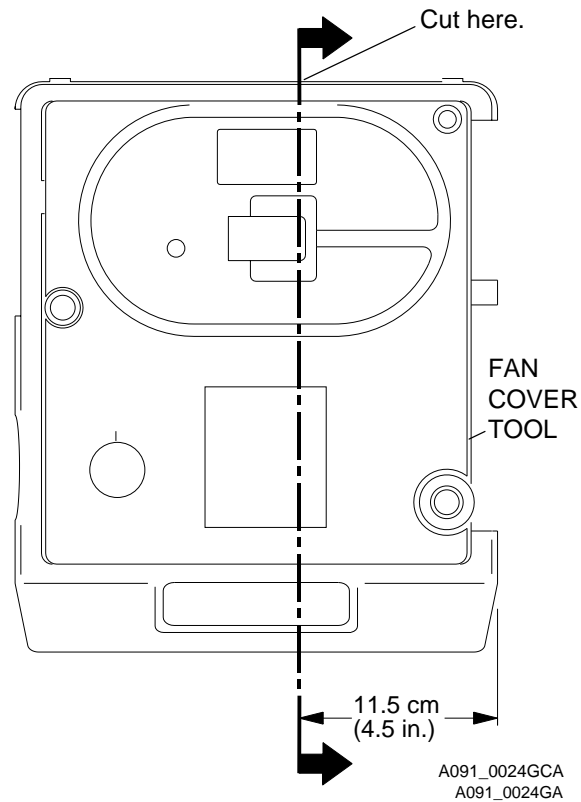
A091_0022DA

Section 4: Tools

Tools

| Tool | Description |
|---------|-------------------------|
| TL-1744 | AUTO-FOCUS GAUGE |
| TL-2264 | FOCUS TEST (flat field) |
| TL-3002 | AUTO-FOCUS TARGET SLIDE |
| TL-3003 | ADJUSTMENT T-BAR |
| TL-3005 | ADJUSTMENT TOOL |
| TL-3255 | <i>Torx</i> DRIVER SET |
| TL-4276 | SUPER LUBE |
| | DIGITAL MULTIMETER |

The LOWER HOUSING ASSEMBLY is a part of the cooling function. To operate the projector with the LOWER HOUSING removed, make a FAN COVER TOOL.

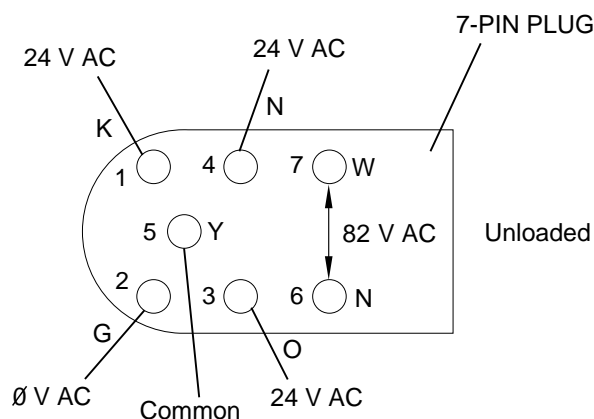


Section 5: Specifications

| Item | Description |
|-------------------------|---|
| Electrical Supply | Standard U.S. Models: 110 - 125 V ac Japan J Models: 100 V AC, 60 Hz only Korea KK Models: 220 V AC, 60 Hz only |
| Power Consumption | 400 W |
| Dimensions | <ul style="list-style-type: none"> • Height: 119 mm (4.69 in.) without TRAY • Width: 238 mm (12.93 in.) • Length: 295 mm (11.6 in.) |
| Slide size | 35 mm, 50 x 50 mm (2 x 2 in.) |
| Slide change time | 1 second |
| LAMP and voltages | <ul style="list-style-type: none"> • EXR 82 V, 300 W, 35 hours average life • EXW 82 V, 300 W, 15 hours average lamp life • FHS 82 V, 300 W, 70 hours average life • EXY 82 V, 300 W, 200 hours average life • On Long Life models, the LAMP voltage is 74 V AC |
| Lumen Output | <ul style="list-style-type: none"> • 800 minimum with EXR lamp • EXTRA BRIGHT LAMP MODULE has a 30% increase in lumen output • Lowest corner to center ratio is 55% minimum • Test method: <ul style="list-style-type: none"> – <i>Ektagraphic</i> 102 mm, F/2.8 LENS aperture (24 x 36 mm), compatible with European specification DIN 19027 |
| Operating temperature | <ul style="list-style-type: none"> • 4.5 °C (40 °F), 15% humidity in low • 49 °C (120 °F), 15% humidity in high • 21 - 27 °C (70 - 80 °F), 20 - 60% humidity optimum |
| Cooling | Fan speed is 2780 or 3000 RPMs, 1360 BTUs per hour to cool projector |
| Approvals | UL |
| Environmental storage | Complies with storage test specifications (TS 172) |
| Environmental operation | Complies with climactic test specifications (TS 218) |
| Safety | <ul style="list-style-type: none"> • 3 GROUNDED POWER CORDS, detachable • Heat sensitive interrupt fuses • 117 C power to motor (lamp fuse) • 171 C MOTOR |
| Dielectric strength | Apply 1200 V AC, 60 Hz for 1 second; maximum leakage current is 2.5 mA. |

| Item | Description |
|--|--|
| Automatic Timer | Operates between the following times: <ul style="list-style-type: none"> • Fast = 3 1 second • Slow = 22 6 seconds |
| Elevation | 14 maximum front elevation assembly. |
| Auto Focus System | <ul style="list-style-type: none"> • After the initial focus adjustment, the auto-focus system will adjust for the difference in the slide position from slide to slide. This focus adjustment will occur within 1 second after the slide is inserted into the GATE. • The focus adjustment variation should not change from the focus and reverse specifications by more than 3 times the focus and reverse specifications. |
| Reliability | The projector can operate for 2000 hours or 2,000,000 cycles. The projector has a MTBF (mean time between failures) of 7500 operation hours. |
| Maintenance | Preventive maintenance by a qualified service person is recommended every 1500 hours of operation, or after 1 year. |
| Warranty | See the owner's manual. |
| 7-PIN REMOTE CONTROL (See illustration on next page.) | <ul style="list-style-type: none"> • PIN 1 - Black, REMOTE FOCUS • PIN 2 - Green, FORWARD TRAY CYCLE • PIN 3 - Orange, REVERSE TRAY CYCLE • PIN 4 - Brown, RACK SOLENOID • PIN 5 - Yellow, COMMON • PIN 6 - Brown, LAMP CONTROL • PIN 7 - White, LAMP CONTROL |

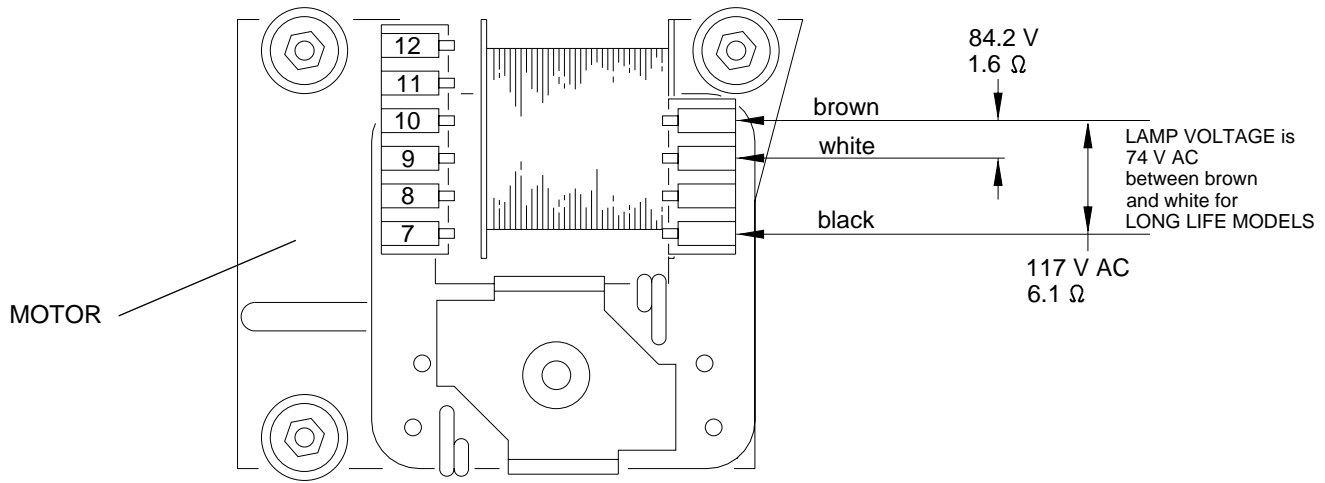
REMOTE INLET



A100_0023ACA
A100_0023AA

Section 6: Diagnostics

MAIN MOTOR Voltages



A091_0006BCA
A091_0006BA

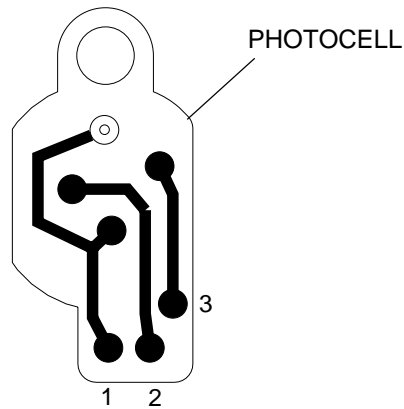
MAIN MOTOR PIN Colors

| PIN | Color |
|-----|----------|
| 12 | brown |
| 11 | red |
| 10 | violet |
| 9 | yellow |
| 8 | blue |
| 7 | not used |

MAIN MOTOR PIN Voltages

| PIN | Resistance | Voltage |
|-------|------------|-----------|
| 8-9 | 3.1 W | 24.4 V AC |
| 10-11 | 4.3 W | 14.1 V AC |
| 11-12 | 4.2 W | 14.1 V AC |
| 10-12 | 8.0 W | 28.2 V AC |
| 9-10 | O.L. | |

PHOTOCELL Voltages

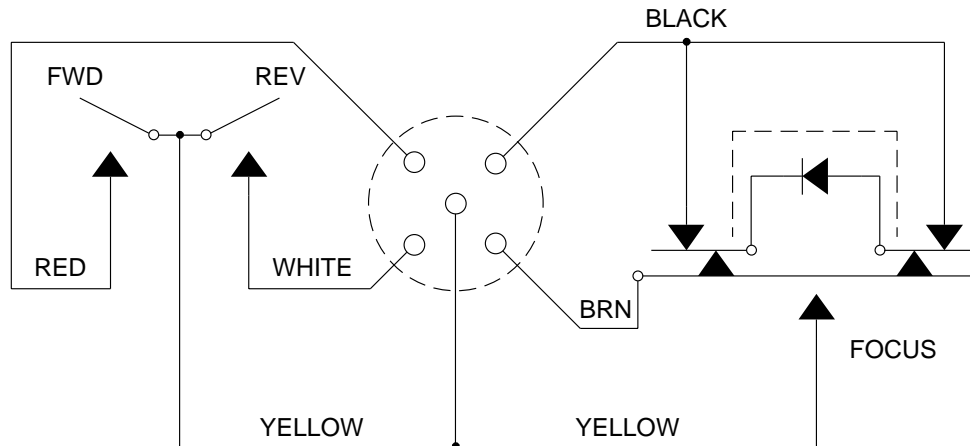


A091_4036ACA
A091_4036AA

PHOTOCELL Voltages

| PINS | Voltage |
|------|-----------|
| 1-2 | 14.5 V ac |
| 2-3 | 14.5 V ac |
| 1-3 | 29 V ac |

5-PIN REMOTE CORD PLUG Voltages



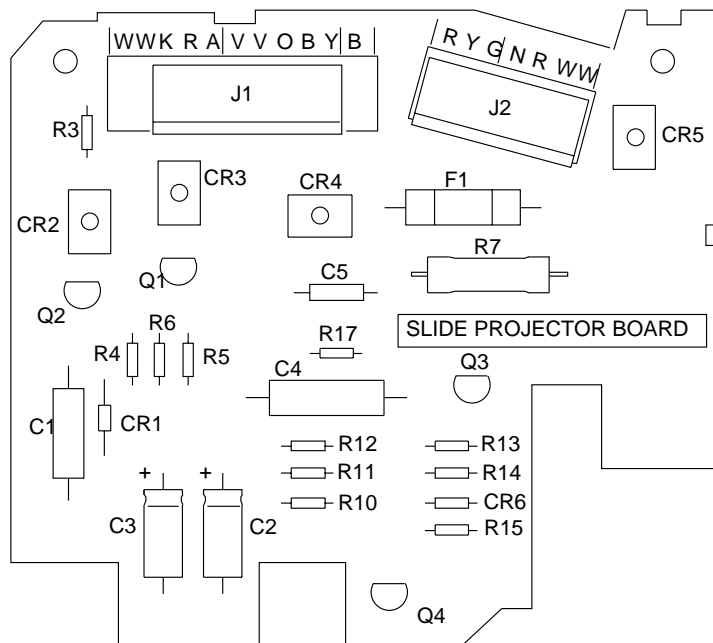
KODAK EC-3 REMOTE CONTROL

A100_0001BC_

5-PIN REMOTE PLUG Voltages

| PIN | Description |
|--------|----------------|
| white | Reverse |
| red | Forward |
| yellow | Common |
| brown | RACK SOLENOID |
| black | Focus - REMOTE |

SMALL COMPONENT BOARD ASSEMBLY 256809 Voltages



A091_4034DC

| Description | Component | RED +, BLACK - | Voltage |
|----------------------------|-----------|----------------|-----------|
| TIMER Circuit | CR3 | + to - | 32 V DC |
| TIMER Circuit | Q3 | - G to + A | 32 V DC |
| TIMER Circuit | Q4 | - G to + K | 18.1 V DC |
| CYCLE HOLD DOWN REVERSE | CR4 | + to - | 18.0 V DC |
| FOCUS | CR2 | + to - | 28.0 V DC |
| FOCUS RACK USE REMOTE | CR5 | + to - | 18.0 V DC |
| FOCUS | Q1 | - B to + C | 23.3 V DC |
| FOCUS | Q2 | - G to + A | 28.0 V DC |

Voltage Specifications - General Parts

| Part | Procedure | Voltage |
|-------------------|-------------------------------|---|
| FOCUS MOTOR | ----- | 6.7 V AC |
| CYCLE SOLENOID | Press the REVERSE BUTTON. | 39 W, 10 V DC |
| RACK SOLENOID | ----- | 39 W, 10 V AC |
| LAMP RECEPTACLE | ----- | Standard Models: 82 V AC, approximately 85-86 V AC without a LAMP MODULE installed Long Life Models: 74 V AC, 76 V AC without LAMP |
| DROPPING RESISTOR | Move to the LO LAMP position. | 3.0 W, 10.4 V AC drop across |

Power, Illumination, and Cooling Malfunctions

| Malfunction | Check |
|--|--|
| The MOTOR does not operate. | <ol style="list-style-type: none"> 1. Check the continuity across the THERMAL FUSE ASSEMBLY, and MOTOR FUSE. 2. Check that the primary voltage on the MAIN MOTOR is correct. 3. Check that the voltage on POWER SWITCH is correct. |
| The FAN does not operate, MOTOR operates. | <ol style="list-style-type: none"> 1. Check that the FAN BELT is not broken. 2. Check and remove obstructions in the FAN area. |
| There is excessive noise in the FAN. | <ol style="list-style-type: none"> 1. Check and remove obstructions in the FAN area. 2. Check that the tension is correct on the FAN BELT. 3. Check that the FAN BELT is clean. 4. Check the condition of the BEARING in the FAN ASSEMBLY. |
| The LAMP does not operate. | <ol style="list-style-type: none"> 1. Check the LAMP for damage. 2. Check the LAMP RECEPTACLE 3. Check the LAMP TERMINAL ASSEMBLY in the LAMP MODULE ASSEMBLY for damage. |
| There is an obstruction in the light path. | <ol style="list-style-type: none"> 1. Check the DARK SHUTTER for correct operation. See the adjustment for the DARK SHUTTER. 2. Check the LIGHT BAFFLE in the MECHANISM for damage; it should not cause a jam in the SHUTTER. |

Slide Transport Malfunctions

| Malfunction | Check |
|---|--|
| Forward and reverse do not operate using the FRONT PANEL BUTTONS or REMOTE CONTROL. | <ol style="list-style-type: none"> 1. Check that the secondary voltage on the MAIN MOTOR is correct. 2. Check that the W across the CYCLE SOLENOID COIL are correct. 3. Check that the voltage across the CYCLE SOLENOID is correct. |
| Forward does not operate, reverse operates, voltages are correct. | <ol style="list-style-type: none"> 1. Check that the CYCLE LEVER and RATCHET PLATE are clean. Clean and lubricate the parts as necessary. Use SUPER LUBE TL-4276. 2. Install a new CAM STACK ASSEMBLY; the malfunction is within the CAM. |
| Reverse does not operate, forward operates, voltages are correct. | <ol style="list-style-type: none"> 1. Do the adjustment for the CYCLE SOLENOID. 2. Check that the DIRECTION LEVER SPRING is on the DIRECTION LEVER. 3. Check the DIRECTION LEVER for binds. Excessive lubrication and dirt can cause binds. |
| Projector does not complete a cycle; FAN operates. | <ol style="list-style-type: none"> 1. Check for a broken MECHANISM DRIVE BELT. 2. Check the CYCLE LEVER and RATCHET LEVER on the CAM SHAFT ASSEMBLY for the following: <ul style="list-style-type: none"> • correct alignment of the CYCLE LEVER • damage to parts • lubrication of the CYCLE LEVER (use SUPER LUBE TL-4276) 3. Check the CYCLE SOLENOID for correct operation. See the Voltage chart. |
| Projector has continual cycle. | <ol style="list-style-type: none"> 1. Check the CYCLE LEVER for correct alignment. See the adjustment for the CYCLE LEVER. 2. Check for damage to parts. 3. Check for a short•circuit in the wires: <ul style="list-style-type: none"> • Use a tool to hold the CYCLE LEVER down on the RATCHET LEVER. If there is a short•circuit causing the malfunction, the SOLENOID will be energized. If there is a bind, the CAM will not rotate. 4. Check that the CAM SHAFT ASSEMBLY RATCHET SPRING is installed correctly. 5. If there is a bind in the CAM STACK, install a new CAM. |

| Malfunction | Check |
|---|--|
| The projector does not change cycles when using a DISSOLVE CONTROL; the REMOTE CONTROL and CONTROL PANEL BUTTONS operate correctly. | <ol style="list-style-type: none"> 1. The CYCLE LEVER and the RATCHET PLATE are dirty. <ul style="list-style-type: none"> • Clean and apply lubricant SUPER LUBE TL-4276 to the CYCLE LEVER and RATCHET PLATE. 2. If this does not correct the malfunction: <ul style="list-style-type: none"> • Install a new CAM SHAFT ASSEMBLY. |
| SLIDE TRAY does not advance smoothly. | <ol style="list-style-type: none"> 1. Check the SLIDE TRAY LATCH for correct alignment. 2. Operate the projector in the forward direction. <ul style="list-style-type: none"> • Check that the INDEXER LEVER ASSEMBLY is in the correct alignment with the holes at positions A and B. • Do the adjustment for the INDEXER LEVER ASSEMBLY. • Check the condition of the LOCATOR LEVER, it should not be bent. • Check the height of the SLIDE LIFT LEVER; the lower corner of the LIFT LEVER RAMP is parallel with the TOP HOUSING. If the height is not correct, do the adjustment for the MANUAL and POWER SLIDE LIFT LEVER ECCENTRICS. |
| SLIDE TRAY advances when "REVERSE" is pressed. | <ol style="list-style-type: none"> 1. Do the adjustment for the CYCLE SOLENOID. 2. Check that the SPRING is on the DIRECTION LEVER. 3. Check for a bind in the DIRECTION LEVER ASSEMBLY. 4. Check that the DIRECTION LEVER LINK is in the correct position. |
| SLIDE TRAY does not rotate freely when the SELECT BUTTON is pressed down. The projector has power. | <ol style="list-style-type: none"> 1. Press and release the SELECT BUTTON. <ul style="list-style-type: none"> • Check that the LOCATOR LEVER moves correctly and is not bent. 2. Press and hold the SELECT BUTTON down. <ul style="list-style-type: none"> • Check the SLIDE LIFT LEVER RAMP for damage. 3. Check the height of the SLIDE LIFT LEVER; the lower corner of the LIFT LEVER RAMP is parallel with the TOP HOUSING. If the height is not correct, do the adjustment for the MANUAL and POWER SLIDE LIFT LEVER ECCENTRICS. |

| Malfunction | Check |
|--|--|
| TIMER does not operate | <ol style="list-style-type: none"> 1. Check the VARIABLE RESISTOR for correct operation and install a new part if necessary. 2. Move the TIMER BUTTON forward and backward; use a DVM to check for changes in W. 3. Energize the projector and move the TIMER to "S". <ul style="list-style-type: none"> • Check the voltages on CR3, Q3, and Q4, see the voltage table. |
| DARK SHUTTER SWITCH does not operate | <ol style="list-style-type: none"> 1. Energize the projector and release the DARK SHUTTER to allow projection. 2. Check for continuity between PINS 4 and 5 on the SPECIAL APPLICATIONS PLUG. 3. Press the "FORWARD" or "REVERSE" BUTTONS to close the DARK SHUTTER. 4. In the closed position, the DVM should measure 0 W. 5. If this procedure does not correct the malfunction, install a new DARK SHUTTER SWITCH. |
| After the FOCUS MOTOR energizes and moves, the FOCUS MOTOR oscillates. | <ol style="list-style-type: none"> 1. Remove R3 and install a new 68K W 1/4 W RESISTOR (part 220040). 2. If there is still a malfunction, install a new PHOTOCCELL. |

Focus Malfunctions

| Malfunction | Check |
|---|---|
| No manual focus | <ol style="list-style-type: none"> 1. Check the FOCUS SHAFT SPRING for the correct tension. 2. Check the LENS SUPPORT SPRING for correct tension. 3. Check the LENS DRIVE GEAR on the FOCUS SHAFT ASSEMBLY for damage and install a new part if necessary. |
| No remote focus (Non Auto Focus models) | <ol style="list-style-type: none"> 1. Check the REMOTE CORD for damage; use a REMOTE CORD that has no damage. 2. Actuate and hold the REMOTE CONTROL. 3. Check that the voltage across the FOCUS MOTOR is 6.7 V AC. If the voltage is correct, install a new FOCUS MOTOR. 4. Check that the secondary voltage on the MAIN MOTOR is correct. |

| Malfunction | Check |
|--|---|
| No remote focus, RACK SOLENOID ASSEMBLY operates (Auto Focus Models) | <ol style="list-style-type: none"> 1. Check that the REMOTE CORD operates correctly; use a REMOTE CORD you know is good (EC 3). 2. Actuate and hold the REMOTE CONTROL. 3. Check that the voltage across the FOCUS MOTOR is 6.7 V AC. If the voltage is correct on the FOCUS MOTOR, the FOCUS MOTOR is defective. Install a new FOCUS MOTOR. 4. Check the AUTO FOCUS SWITCH ASSEMBLY for correct operation. 5. Check the secondary voltages on the MAIN MOTOR. |
| No auto-focus | <ol style="list-style-type: none"> 1. Check that the AUTO-FOCUS DEFEAT SWITCH is in the "ON" position. 2. Check that the MAIN PROJECTION LAMP operates correctly. 3. Insert the TARGET SLIDE TL-3002 in the GATE MECHANISM. <ul style="list-style-type: none"> • Check that the TARGET is correctly aligned. If not, see the Adjustment section. 4. Check that the voltages across the PHOTOCCELL are correct. The voltage from 1 to 2 is 13.8 V ac. The voltage from 2 to 3 is 13.8 V ac. The voltage from 1 to 3 is 28 V ac. 5. Make a short• between 1 and 2; the FOCUS MOTOR should rotate. 6. Make a short•circuit between 2 and 3; the FOCUS MOTOR should rotate in the reverse direction. 7. If the FOCUS MOTOR operates correctly, install a new PHOTOCCELL. If the FOCUS MOTOR does not operate correctly, measure the voltages on the CIRCUIT BOARD. |
| Slow auto-focus movement | <ol style="list-style-type: none"> 1. Check that the alignment of the FOCUS LIGHT PATH and NULL is correct. 2. Check the resolution of the FOCUS LIGHT PATH. Clean the AUTO FOCUS MIRROR and BRACKET ASSEMBLY. 3. Install a new PROJECTION LAMP if necessary. 4. Install a new PHOTOCCELL. 5. Check the components on the CIRCUIT BOARD for damage. |

| Malfunction | Check |
|---|---|
| <p>AUTO FOCUS MOTOR operates continually</p> | <ol style="list-style-type: none"> 1. Install the TARGET SLIDE TL-3002 in the GATE MECHANISM. 2. Check that the alignment of the TARGET and NULL is correct. If not, see the Adjustments section. 3. Check for a light leak: <ul style="list-style-type: none"> • Install a different LAMP MODULE ASSEMBLY. If the FOCUS MOTOR stops operating continually, install a new LAMP MODULE ASSEMBLY. 4. Check that the voltages across the PHOTOCELL are correct. The voltage from 1 to 2 is 13.8 V ac. The voltage from 2 to 3 is 13.8 V ac. The voltage from 1 to 3 is 28 V ac. 5. Check that the PHOTOCELL HOUSING has 2 FILTERS. 6. Install a new PHOTOCELL. 7. Check the components on the CIRCUIT BOARD for damage. |
| <p>AUTO FOCUS MOTOR operates continually in forward only or reverse only and does not operate (stops) in the null position.</p> | <ol style="list-style-type: none"> 1. Check that the wires of the AUTO FOCUS MOTOR are in the correct position; the blue wire goes to the mark on the AUTO FOCUS MOTOR. |
| <p>AUTO FOCUS adjusts after REMOTE use</p> | <ol style="list-style-type: none"> 1. Do the adjustment for the CLAMP LEVER ASSEMBLY. |

Kodak, Carousel, and Wratten are trademarks.

Printed in U.S.A. • sm5440_1.fm

EASTMAN KODAK COMPANY
Rochester, NY 14650

Kodak Service & Support