

KODAK ESP 7200 Series All-in-One Printer



Extended User Guide

Kodak

Eastman Kodak Company
Rochester, NY 14650

© Eastman Kodak Company, 2009

Kodak, EasyShare, and Perfect Touch are trademarks of Eastman Kodak Company.

Specifications subject to change without notice.

P/N 1K5928

September 2010

Table of contents

1 Printer Overview

Components.....	1
Control panel.....	2
Home Center Software	3
Configuring printer settings	4

2 Networking Your Printer

Connecting to a wireless network	5
Before you connect	5
Using the LCD keyboard.....	5
Connecting to a wireless network using the WiFi Setup Wizard.....	6
Setting up an IP address.....	8
Viewing the network configuration.....	9
Printing the network configuration	10
Installing your printer on additional computers on the network.....	10
Connecting to another KODAK All-in-One Printer	10
Connecting to an Ethernet network	11
Adding a network connection to a USB-connected computer	12
Changing from USB to a wireless connection	12
Changing from USB to an Ethernet connection	13

3 Handling Paper

Paper types.....	15
Paper sizes	15
Envelope sizes.....	16
Loading paper	17
Loading paper in the main paper tray.....	17
Loading legal-size paper in the main paper tray.....	19
Loading the photo paper tray	22
Loading envelopes.....	24

4 Printing

Changing paper trays.....	26
Printing documents	27
Printing two-sided documents	27
Printing forms	29
Printing pictures	30
Printing from a memory card or USB-connected device.....	30
Printing pictures from a BLUETOOTH Technology enabled device.....	37
Printing pictures or documents from a wireless device.....	37
Transferring pictures to a computer	38
Transferring pictures to a computer with WINDOWS OS.....	38
Transferring pictures to a computer with MAC OS	38

5 Copying

Copying a document.....	39
Using the default settings to copy a document.....	39
Adjusting the settings and copying a document.....	40
Changing the number of copies of a document	41
Enlarging or reducing a document	42
Darkening or lightening a copy	43
Copying a photograph.....	44
Using the default settings to copy a photograph.....	44
Adjusting the settings and copying a photograph.....	45
Changing the number of copies of a photograph.....	47
Enlarging or reducing a photograph	48
Darkening or lightening a copy of a photograph	49

6 Scanning

Before you begin scanning	50
Changing the scan settings for scanning from the control panel	50
Scanning from the computer	51
Scanning multiple pictures simultaneously.....	52
Scanning from the control panel.....	53

7 Maintaining Your Printer

General care and cleaning.....	55
Cleaning the scanner glass and document backing	56
Replacing ink cartridges.....	58
Replacing the printhead	61
Updating the software and printer firmware.....	65
Updating if your printer is connected to a computer with WINDOWS OS.....	65
Updating if your printer is connected to a computer with MAC OS.....	66
Monitoring and adjusting printer performance	66
Checking ink levels.....	66
Resetting factory defaults	67

8 Troubleshooting

Basic troubleshooting	68
Getting help on the Web	70
Status lights.....	71
Power status light.....	71
Wi-Fi status light	71

9 Product and Safety Specifications

Features and Specifications	72
Print performance.....	72
Photo printing features.....	72
Copy document features	73
Copy photo features	73
Scanning features	73
Bottom input paper tray.....	74
Top input paper tray	74
Output paper tray	74
Ink cartridges	74
Connectivity	74
Software support	75
Physical specifications	75
Warranty.....	75
System requirements.....	76
Safety information	79
Regulatory compliance.....	80
FCC statement	80
Canadian statements.....	81
European compliance statement.....	81
German compliance statement	81
REACH Article 33 declarations.....	81
Power supply information	81
Waste electrical and electronic equipment labeling.....	82
ENERGY STAR® Qualified	82
Warranty Information.....	82
Declaration of Conformity.....	84

Index

1

Printer Overview

This printer lets you print, copy, and scan pictures and documents. In addition, this printer supports networking, letting you access the printer over a wireless (Wi-Fi) or Ethernet network.

Components



- | | | | |
|----|---|----|--------------------------------------|
| 1 | Control panel | 12 | Window for photo paper |
| 2 | Power cord port | 13 | Output tray extender with paper stop |
| 3 | USB port | 14 | Output tray |
| 4 | Ethernet port | 15 | Scanner glass |
| 5 | Rear-access cleanout area | 16 | Scanner lid |
| 6 | Duplexer (pulled out) | 17 | Front paper-edge guides |
| 7 | Printer access door | 18 | Main paper tray |
| 8 | CF card slot | 19 | Paper tray extender for legal paper |
| 9 | Front USB port | 20 | Left paper-edge guides |
| 10 | MS/XD/SD card slot | 21 | Photo paper tray |
| 11 | Printhead with ink cartridges installed | | |

Control panel



Feature	Description
1 LCD	Displays pictures, messages, and menus
2 Navigation buttons	Used to navigate menus and scroll through pictures
3 OK button	Selects a menu item, accepts a setting, and continues with the current operation
4 Back button	Displays the next higher menu
5 Home button	Displays the main menu; toggles between screens
6 Zoom buttons	Enlarge or reduce the size of the displayed picture
7 Start button	Begins copying, scanning, printing, maintenance task, and file transfer
8 Cancel button	Stops the current operation and returns to the menu; displays the next higher menu
9 Wi-Fi connectivity LED	When lit, signals that the printer is connected to a wireless (Wi-Fi) network; blinks when searching for an available Wi-Fi network or reconnecting to an already configured network
10 On/Off button	Turns the printer on or off

Home Center Software

KODAK Home Center Software is installed as part of the software installation on your computer. The Home Center icon is added to your desktop and, depending on your configuration, to the Start menu. Use this icon to start Home Center Software.



On a computer with WINDOWS Operating System (OS), you can use Home Center Software to:

- browse, crop, enhance, and edit pictures
- print and scan
- upgrade your printer with the latest software and firmware
- configure your printer
- order supplies
- access the KODAK Tips and Projects Center
- access this Extended User Guide

On a computer with MAC OS, you can use Home Center Software to scan, order supplies, configure your printer, or check for printer software updates.

Configuring printer settings

NOTE: When you first power on the printer, the LCD prompts you to select the **Language** and **Country/Region**.

To set or change basic printer settings:

1. Press **Home**.
2. Press ▼ to select **Printer Settings**, then press **OK**.
3. Press ▼ to select one of the following settings:

- **Date and Time**

- Press **OK**, then press ▼ to select **Year, Month, Day, Hour, or Minute**. Press ◀ or ▶ to change the values; press **OK** when you are done.

NOTE: You can also synchronize the printer date and time to your computer using the Home Center software.

- **Button Sounds**

- Press ▶ to select **On** or **Off**.

- **Time to Low Power**

- Press ▶ to change the time to energy-saving low power (select from 1 to 4 hours in 0.5 hour increments). After the time to low power, the printer enters a low-power mode.

- **DPOF (Digital Print Order Format) Printing**

- Press ▶ to select **On** or **Off**.

- **Language**

- Press **OK**, press ▼ to select a language, then press **OK**.

- **Country/Region**

- Press **OK**, press ▼ to select a country or region, then press **OK**.

- **Reset All Settings** (see [Resetting factory defaults, page 67](#))

NOTE: Resetting factory defaults does not change the date and time, language, country/region, or network settings

4. Press **Back** to return to the Main Menu.

This section explains how to configure or change your network settings.

Connecting to a wireless network

To connect your printer to an 802.11 wireless (Wi-Fi) network, refer to the following information.

Before you connect

You need:

- A computer equipped with a network interface card or wireless networking support.
- A working 802.11 wireless network. Kodak recommends that you use a wireless access point/router that uses Dynamic Host Configuration Protocol (DHCP).
- To determine whether your wireless router supports Wi-Fi Protected Setup (WPS).
- Your network name (SSID - Service Set Identifier). You can obtain your SSID from the wireless access point, most commonly a router, using the router's embedded Web server. See the manufacturer's documentation provided with your wireless system for more information.

IMPORTANT: *The SSID is case sensitive.*

- Your Wired Equivalent Privacy (WEP) key or Wi-Fi Protected Access (WPA/WPA2) passphrase.
- To temporarily disable your firewall until the printer is successfully installed and communicating. For information, go to www.kodak.com/go/inkjetnetworking.

Using the LCD keyboard

When you need to enter letters or numbers, a keyboard appears on the LCD.

On the printer, press ▲, ▼, ◀ or ▶ to select the letters and numbers, using the correct uppercase and lowercase letters. Press **OK** after each character. When you are done, select **DONE**, then press **OK**.

- To erase a character, select **BKSP** (backspace), then press **OK**.
- To change from uppercase to lowercase, select **abc/123**, then press **OK**.
- To change from lowercase to uppercase, select **ABC/123**, then press **OK**.
- To enter punctuation or symbols, select **!@#**, then press **OK**.

Connecting to a wireless network using the WiFi Setup Wizard

You can use the WiFi Setup Wizard on the printer to connect to your wireless network. Read the following procedures and use the one that is appropriate for your network setup.

Connecting to a non-WPS wireless router

To connect to your wireless network, you need to know the network name, which is also called the Service Set Identifier (SSID). You can obtain your network name from the wireless router. See the manufacturer's documentation for more information.

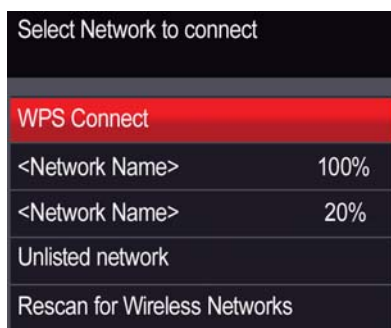
If you have enabled security on your network, you also need to know the security string, which may be a Wired Equivalent Privacy (WEP) or a Wi-Fi Protected Access (WPA/WPA2) passphrase.

Record your network information, using the correct uppercase and lowercase letters for your WEP key or WPA/WPA2 passphrase.

1. Press **Home**.
2. Press **▼** to select **Network Settings**, then press **OK**.
3. With **WiFi Setup Wizard** selected, press **OK**.

NOTE: The Wi-Fi radio turns on automatically when you select WiFi Setup Wizard.

The printer searches for available wireless networks within range, then displays the list in order of signal strength. For example:



NOTE: If there are more networks than can be shown on the LCD, a **▼** (page down) symbol appears in the bottom right of the display. If you don't see your network in the list or want to change your network, select **Rescan for Wireless Networks**, then press **OK**.

4. If the name of your network is:

Listed	Not listed
Press ▼ to select your network, then press OK .	Make sure your wireless router is turned on and within range. If your wireless router does not broadcast its SSID (network name): <ol style="list-style-type: none"> Press ▼ to select Unlisted Network, then press OK. Use the LCD keyboard to enter your network name. (See “Using the LCD keyboard” on page 5.) Select WEP or WPA/WPA2 as required for your network’s security setup, then press OK.

5. If your network requires a password, “Enter Security String” and a keyboard appear on the LCD. Use the LCD keyboard to enter the security string. (See “Using the LCD keyboard” on page 5.)
6. When the confirmation message appears, press **OK**.
 If the printer is successfully connected, the Wi-Fi status light will be on.
 If you are unable to connect your printer, go to www.kodak.com/go/inkjetnetworking for more information.
7. If you haven’t yet installed the KODAK All-in-One Printer Software, go to www.kodak.com/go/aiodownloads and follow the on-screen instructions to install the software.
 The printer with a wireless connection is listed as the name of the printer plus a number (for example, KodakESP7200+0229).

Connecting to a WPS wireless router

If your router supports Wi-Fi Protected Setup (WPS), you can use WPS Connect. WPS lets you configure your printer for a wireless network by pressing buttons or entering a PIN.

To connect to a network using WPS:

- Press **Home**.
- Press ▼ to select **Network Settings**, then press **OK**.
- With **WiFi Setup Wizard** selected, press **OK**.

NOTE: The Wi-Fi radio turns on automatically when you select WiFi Setup Wizard.

- With **WPS Connect** selected, press **OK**.

5. Select one of two methods of connecting:

IMPORTANT: Before you press **OK** on the printer, make sure you know where the router's push button is, or where to enter the generated PIN. If necessary, consult your Internet service provider or router device manufacturer's documentation for more information.

Pressing a button	Entering a PIN
<p>NOTE: You will have two minutes to press or select the WPS button. It may be a button on the device or a virtual button in the device's software.</p> <p>a. With Push Button Configuration selected, press OK.</p> <p>b. Press or select the WPS button for your wireless router.</p>	<p>a. Press ▼ to select Generate WPS PIN, then press OK.</p> <p>b. In your wireless router's software, locate the PIN screen.</p> <p>c. Enter the PIN you received on the LCD into the PIN screen, then follow the router's instructions.</p>

6. When the confirmation message appears, press **OK**.

If the printer is successfully connected, the Wi-Fi status light will be on.

If you are unable to connect your printer, go to www.kodak.com/go/inkjetnetworking for more information.

7. If you haven't yet installed the KODAK All-in-One Printer Software, go to www.kodak.com/go/aiodownloads and follow the on-screen instructions to install the software.

The printer with a wireless connection is listed as the name of the printer plus a number (for example, KodakESP7200+0229).

Setting up an IP address

IMPORTANT: You should only need to set up an IP address for your printer if you are having a problem with connecting. Typically, it is not necessary to set up an IP address. This procedure is for advanced users who know how to obtain the IP address for the printer.

All IP address entries have the following format: 000.000.000.000. Within each three-digit grouping, the number must be right-justified. If an address or subnet mask has only one or two characters between the periods, include one or two leading zeros in front of that number. For example:

The address as it may appear in your documentation	How to enter the address in the printer menu
149.89.138.149	149.089.138.149
149.2.40.149	149.002.040.149

For information about obtaining the printer IP address, go to www.kodak.com/go/inkjetnetworking.

To set up your IP address on the printer:

1. Press **Home**.
2. Press ▼ to select **Network Settings**, then press **OK**.
3. Press ▼ to select **Advanced IP Address Setup**, then press **OK**.
4. Press **OK** again to continue.
5. Select one of the following, then press **OK**:
 - **Dynamic (DHCP)**
 - **Automatic (Private)**
 - **Manual (Static)**
6. If you selected **Manual (Static)**, you are prompted to enter an IP address, a Subnet Mask, a Gateway Address, and a DNS Server address. Press **OK** after each entry. Use the navigation buttons to enter each digit of the numbers. Consult your Internet service provider or network administrator for more information.

Viewing the network configuration

To view the network configuration and verify that you are connected to your wireless network:

1. Press **Home**.
2. Press ▼ to select **Network Settings**, then press **OK**.
3. Press ▼ to select **View Network Configuration**, then press **OK**.

The wireless or Ethernet network settings appear on the LCD, including:

- Printer Hostname
- Connection
- Speed
- IP Address
- IP Address Type
- Network Subnet
- Connected Network SSID
- Security
- Authentication
- Channel
- Region
- Radio (on/off)
- MAC Address

If the printer is connected to your network, you will see the network name and the word CONNECTED.

4. To scroll through the information, press ▼.
5. When you are done, press **OK**.

Printing the network configuration

To print the current network configuration:

1. Load plain paper into the printer. (See [Loading paper in the main paper tray, page 17.](#))
2. Press **Home**.
3. Press ▼ to select **Network Settings**, then press **OK**.
4. Press ▼ to select **Print Network Configuration**, then press **OK**.

Installing your printer on additional computers on the network

To add your printer to another computer(s) on your network, install the KODAK All-in-One Printer Software on each computer. Go to www.kodak.com/go/aiodownloads and follow the on-screen instructions.

Connecting to another KODAK All-in-One Printer

If you are connecting to a newer model printer (for example, you have an ESP 7 printer and now you are adding an ESP 7250 printer), you must install the software for the newer model.

If you are connecting to another ESP 7250 printer or to a previous model:

On a computer with WINDOWS OS:

1. Select **Start > All Programs > Kodak > Kodak Printer Network Setup Utility**.
 - If your wireless all-in-one printer (example: KodakESP7200+0229) **is not** listed:
 - a. Select **No, my printer is not listed**, then click **Next**.
 - b. From the drop-down list, select your printer.
 - c. Select **Network - Wireless/WiFi**, then click **Next**.
When your printer is detected, driver installation begins.
 - If your wireless all-in-one printer (example: KodakESP7200+0229) **is** listed:
 - a. Highlight the all-in-one printer that is connected to your network.
 - b. Select **Yes, my printer is listed**, then click **Next**.
When your printer is detected, driver installation begins.
2. When driver installation is complete, click **Done**.

On a computer with MAC OS:

1. Select **Apple > System Preferences**.
2. Under Hardware, select **Print & Fax**.
3. In the Print & Fax dialog box, click **+**.
4. Select your printer from the list, then click **Add**.

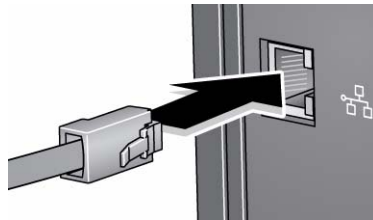
Connecting to an Ethernet network

Before you connect, you need:

- An Ethernet network that includes a router, switch, or hub with an Ethernet port.
- A Category 5 (or higher) Ethernet cable.
- To temporarily disable your firewall until the printer is successfully installed and communicating. For information, go to www.kodak.com/go/inkjetnetworking.

To connect to an Ethernet network:

1. Connect the Ethernet cable to the Ethernet port on the back of the printer.



2. Connect the other end of the Ethernet cable to an available Ethernet port on your router, switch, or hub.
3. If you haven't yet installed the KODAK All-in-One Printer Software, go to www.kodak.com/go/aiodownloads and follow the on-screen instructions to install the software and complete your setup.

Adding a network connection to a USB-connected computer

You can change the way you connect to your printer at any time.

Changing from USB to a wireless connection

To change the printer connection type from USB to a wireless (Wi-Fi) network:

If your printer is connected to a computer with WINDOWS OS:

1. Unplug the USB cable from your printer and computer.
2. On the printer control panel, press **Home**.
3. Press ▼ to select **Network Settings**, then press **OK**.
4. Press ▼ to select **View Network Configuration**, press **OK**, then confirm you have an IP address.
5. If you have not already done so, connect your printer to your wireless network. See [Connecting to a wireless network, page 5](#).
6. On your computer, disable any firewall you have installed until you have successfully completed the installation. For more information on firewalls, go to www.kodak.com/go/inkjetnetworking.
7. Select **Start > All Programs > Kodak > Kodak Printer Network Setup Utility**.
 - If your wireless all-in-one printer (example: Kodak ESP 7200+0229) **is not** listed:
 - a. Select **No, my printer is not listed**, then click **Next**.
 - b. Select your printer from the list.
 - c. Select **Network - Wireless/WiFi**, then click **Next**.
When your printer is detected, driver installation begins.
 - If your wireless all-in-one printer (example: Kodak ESP 7200+0229) **is** listed:
 - a. Highlight the all-in-one printer that is connected to your network.
 - b. Select **Yes, my printer is listed**, then click **Next**.
When your printer is detected, driver installation begins.
8. When driver installation is complete, click **Done**.

The printer with a wireless connection is listed as the name of the printer plus a number (for example, KODAK ESP 7200+0229).

If your printer is connected to a computer with MAC OS:

1. Unplug the USB cable from your printer and computer.
2. On the printer control panel, press **Home**.
3. Press ▼ to select **Network Settings**, then press **OK**.
4. Press ▼ to select **View Network Configuration**, press **OK**, then confirm you have an IP address.
5. Select **Apple > System Preferences**.
6. Under Hardware, select **Print & Fax**.
7. In the Print & Fax dialog box, click **+**.
8. Select your printer from the list, then click **Add**.

The printer with a wireless connection is listed as the name of the printer plus a number (for example, Kodak ESP 7200+0229).

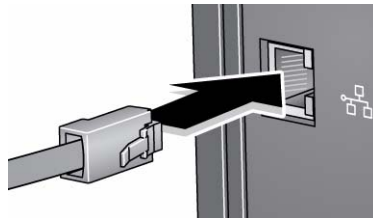
Changing from USB to an Ethernet connection

Before you connect, you need:

- An Ethernet network that includes a router, switch, or hub with an Ethernet port.
- A Category 5 (or higher) Ethernet cable.
- To temporarily disable your firewall until the printer is successfully installed and communicating. For information, go to www.kodak.com/go/inkjetnetworking.

To change from a USB connection to an Ethernet network connection:

1. Unplug the USB cable from your printer and computer.
2. Connect the Ethernet cable to the Ethernet port on the back of the printer.



3. Connect the other end of the Ethernet cable to an available Ethernet port on your router, switch, or hub.

If your printer is connected to a computer with WINDOWS OS:

1. Select **Start > All Programs > Kodak > Kodak Printer Network Setup Utility**.
2. Select **No, my printer is not listed**, then click **Next**.
3. Select **ESP 7200 Series** from the printer drop-down list.
4. Select **Network - Ethernet cable**, then click **Next**.

The Printer Setup Utility searches for your printer and connects automatically.

5. Click **Done**.

If your printer is connected to a computer with MAC OS:

1. Select **Apple > System Preferences**.
2. Under Hardware, select **Print & Fax**.
3. In the Print & Fax dialog box, click **+**.
4. Select your printer from the list, then click **Add**.

3

Handling Paper

For the best photo printing results, use KODAK Photo Papers, which are optimized to work with KODAK All-in-One Printers.

For the best document printing results, use KODAK Document Papers or a paper with the COLORLOK Technology logo on the package. Use only paper that is designed for inkjet printers.

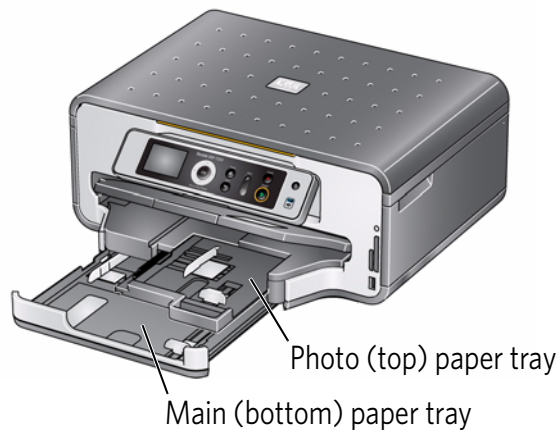
Paper types

You can use:

- Plain paper — 20 to 24 lb / 75 to 90 gsm
- Photo paper — 6.5 to 12 mils (up to 290 gsm)
- Card stock — 110 lb / 200 gsm, max
- Envelopes — 20 to 24 lb / 75 to 90 gsm
- Transparencies — inkjet variety with white stripe
- Labels — all commercially available inkjet varieties on 8.5 x 11-in. or A4 sheets

Paper sizes

This printer has two paper trays, which accept different sizes of paper.



The main paper tray accepts the following paper sizes:

- 4 x 6 in. / 10 x 15 cm
- 4 x 7 in. / 10 x 18 cm
- 4 x 12 in. / 10 x 31 cm
- 5 x 7 in. / 13 x 18 cm
- 7.3 x 8.5 in / 18 x 22 cm
- 8 x 10 in. / 20 x 25 cm
- 8.5 x 11 in. / 22 x 28 cm
- 8.5 x 14 in. / 22 x 36 cm
- A4 (8.3 x 11.7 in. / 21 x 30 cm)
- A5 (5.8 x 8.3 in. / 15 x 21 cm)
- A6 (4.1 x 5.8 in. / 11 x 15 cm)
- B5 (6.9 x 9.8 in. / 18 x 25 cm)

The photo paper tray accepts the following paper sizes:

- 4 x 6 in. / 10 x 15 cm
- 4 x 7 in. / 10 x 18 cm
- 5 x 7 in. / 13 x 18 cm
- A6 (4.1 x 5.8 in. / 11 x 15 cm)

NOTE: Do not load paper smaller than 4 x 6 in. / 10 x 15 cm in either paper tray.

Envelope sizes

The printer accepts the following envelope sizes (in the main paper tray):

- C5 (6.7 x 9 in. / 16 x 23 cm)
- C6 (4.5 x 6.4 in. / 11 x 16 cm)
- DL (4.3 x 8.7 in. / 11 x 22 cm)
- US #7³/₄ (3.9 x 7.5 in. / 10 x 19 cm)
- US #9 (3.9 x 8.9 in. / 10 x 23 cm)
- US #10 (4.1 x 9.5 in. / 11 x 24 cm)

IMPORTANT: *Do not load envelopes with cutout or clear windows.*

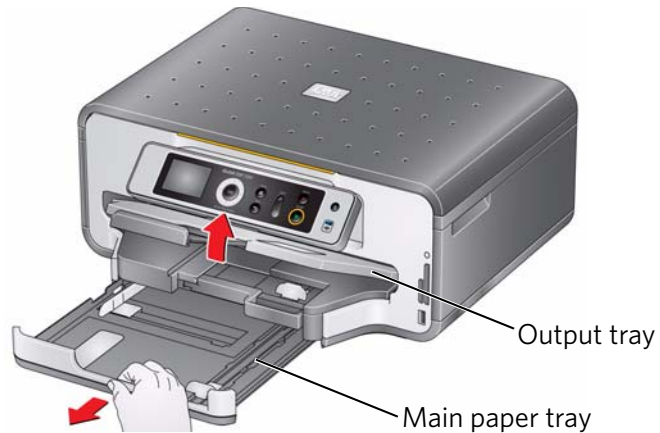
Loading paper

Loading paper in the main paper tray

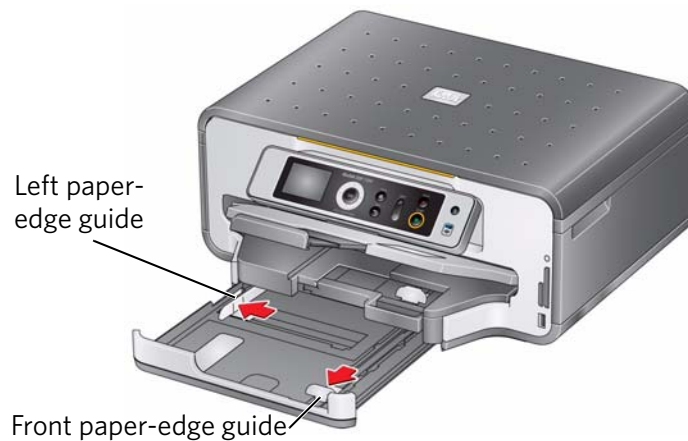
The main paper tray capacity is 100 sheets of plain paper.

To load plain paper:

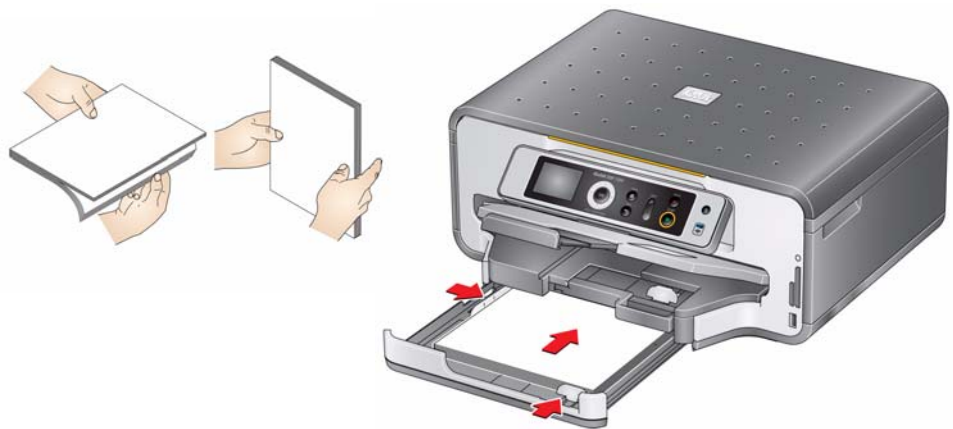
1. Raise the output tray, and pull out the main paper tray.



2. Make sure the left paper-edge guide is to the far left.
3. Move the front paper-edge guide forward.



4. Fan and stack the paper, then insert it into the tray.
5. Move the paper forward until it stops.
6. Move both the left and front paper-edge guides until they touch the paper.

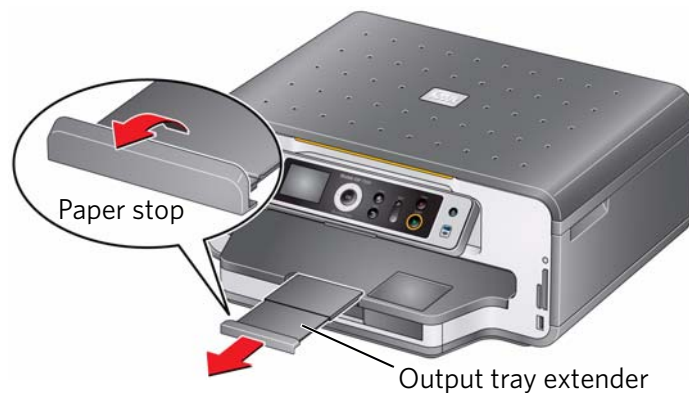


7. Push in the main paper tray until it clicks into place, and lower the output tray.



8. Pull out the output tray extender until it is fully extended.

9. Lift the paper stop.



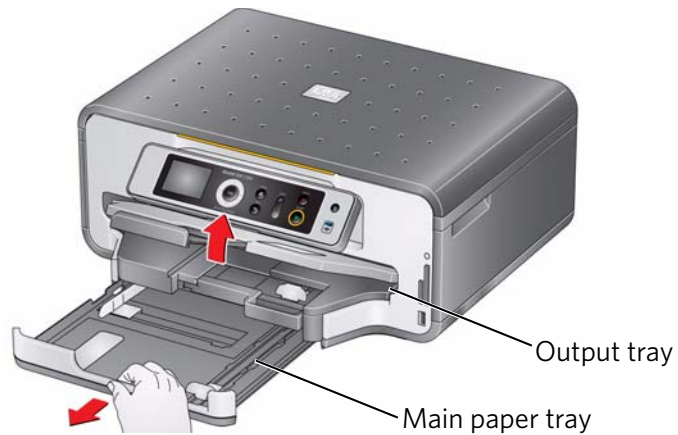
NOTE: You may also load photo paper as small as 4 x 6 in. / 10 x 15 cm in the main paper tray.

Loading legal-size paper in the main paper tray

The main (bottom) paper tray capacity is 100 sheets of legal-size (8.5 x 14 in. / 22 x 36 cm) paper.

To load legal-size paper:

1. Raise the output tray, and pull out the main paper tray.



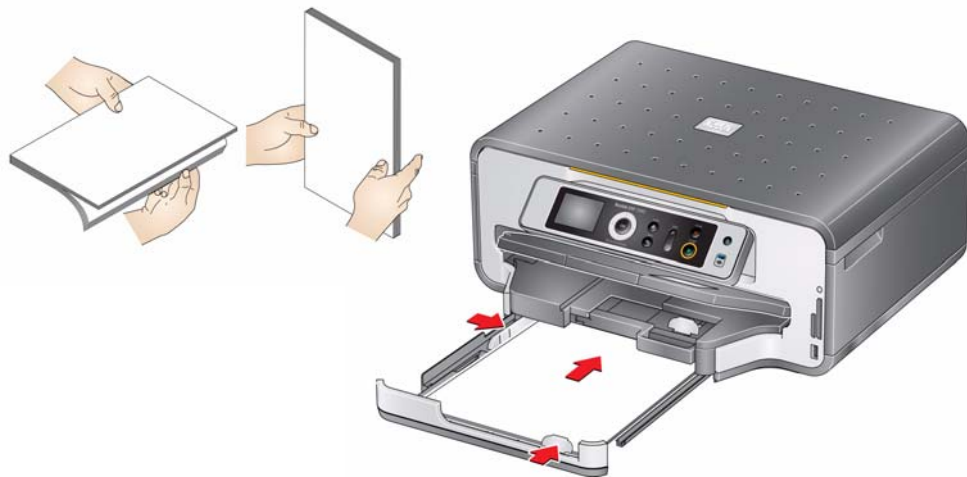
2. Make sure the left paper-edge guide is to the far left.
3. Move the front paper-edge guide forward until it is fully extended.



4. Press the paper tray extender, and pull the paper tray forward until it is fully extended.



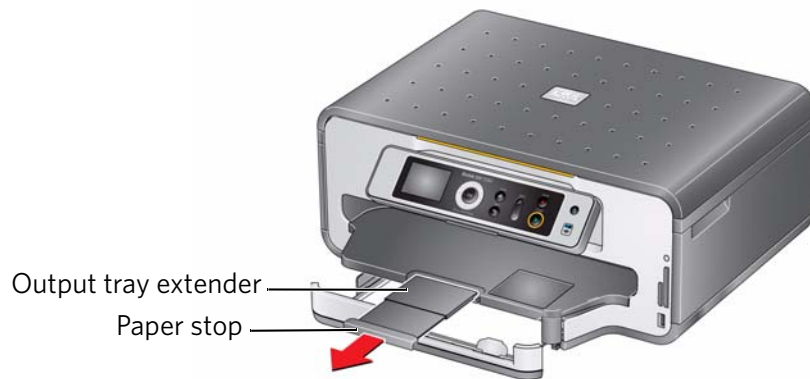
5. Fan and stack the paper, then insert it into the tray.
6. Move the paper forward until it stops.
7. Move both the left and front paper-edge guides until they touch the paper.



8. Push in the main paper tray until it clicks into place, and lower the output tray.



9. Pull out the output tray extender until it is fully extended, but do not lift the paper stop.

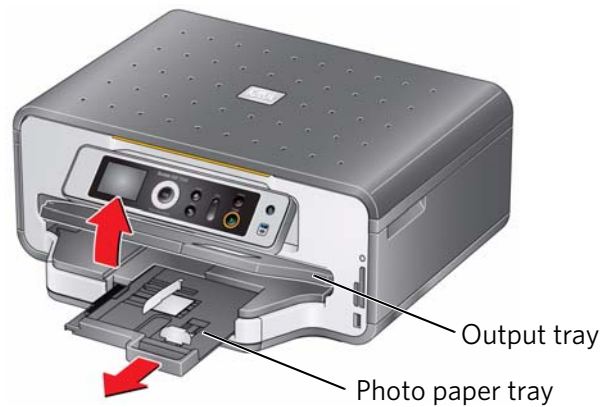


Loading the photo paper tray

The photo (top) paper tray capacity is 40 sheets of photo paper.

To load photo paper:

1. Raise the output tray, and pull out the photo paper tray.



2. Move the left paper-edge guide to the far left.
3. Move the front paper-edge guide forward.



4. Fan and stack the photo paper, then insert it (short side first) into the tray with the **logo side facing up** and the glossy side down.

IMPORTANT: *If the photo paper is loaded the wrong way, the ink on your pictures will be wet and the image quality will be affected.*

5. Move the paper forward until it stops.
6. Move both the left and front paper-edge guides until they touch the paper.



7. Push in the photo paper tray until it clicks into place, and lower the output tray.



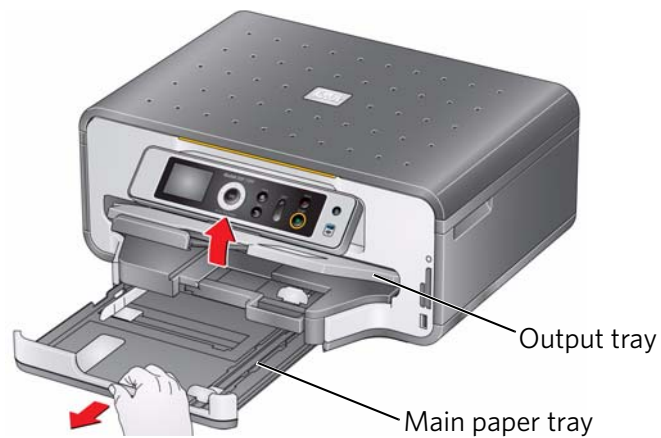
Loading envelopes

The main paper tray capacity is 20 envelopes.

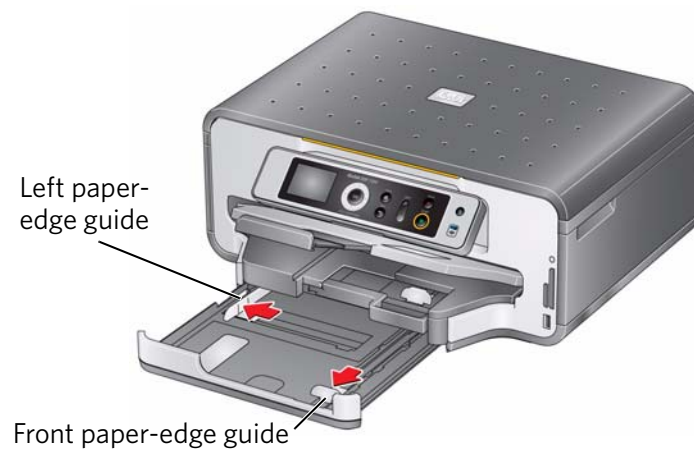
IMPORTANT: *Do not load envelopes with cutout or clear windows.*

To load envelopes:

1. Raise the output tray, and pull out the main paper tray.



2. Remove any paper from the tray.
3. Make sure the left paper-edge guide is to the far left.
4. Move the front paper-edge guide forward.



5. Insert the envelopes into the tray with the flap up and against the right side of the tray.
6. Move the envelopes forward until they stop.
7. Move both the left and front paper-edge guides until they touch the envelopes.



8. Push in the main paper tray until it clicks into place, and lower the output tray.



Print documents and lab-quality pictures on your printer.

Changing paper trays

The printer has two paper trays. When you print documents, the printer automatically selects paper from the main (bottom) paper tray. When you print photos, the printer automatically selects paper from the photo (top) paper tray. You may, however, choose the top or bottom tray at any time.

To change paper trays when printing from a computer with WINDOWS OS:

1. Open the document you want to print, then select **File > Print**.
2. In the Print dialog box, make sure that **KODAK ESP 7200 Series AiO** is selected, then click **Properties**.
3. In the **General** tab under Paper tray, click ▼ then select **Bottom Tray** or **Top Tray**.
4. Click **OK** to close the Properties dialog box.
5. Click **OK** to begin printing.

To change paper trays when printing from a computer with MAC OS:

1. Open the document you want to print, then select **File > Print**.
2. In the Print dialog box, make sure that **Eastman Kodak Company ESP 7200 Series AiO** is selected.
3. From the **Copies & Pages** drop-down list, select **Printer Options**.
4. From the **Paper Tray** drop-down list, select **Top tray** or **Bottom tray**.
5. Click **Print**.

To change paper trays when printing from the printer control panel:

1. Press **Home**.
2. Press ▼ to select **Copy Photo** or **View and Print Photos**.
3. Press ▼ to select **Tray Selection**, then press ► to select **Bottom Tray**.

NOTE: Top Tray is the default when printing pictures. You cannot change to the bottom tray from the control panel.

Printing documents

To print a document from your computer:

1. Open the document.
2. Select **File > Print**.
3. In the Print dialog box, select your KODAK Printer.
4. Choose the pages to print, number of copies, etc, then click **OK** (on a computer with WINDOWS OS) or **Print** (on a computer with MAC OS).

Printing two-sided documents

Print two-sided documents either automatically with the built-in duplexer or by manually rotating and reloading the paper.

Automatic two-sided printing

The duplexer can print two-sided documents automatically on:

- plain paper
- standard paper sizes
 - letter (8.5 x 11 in. / 22 x 28 cm)
 - A4 (8.3 x 11.7 in. / 21 x 30 cm)
 - executive (7.3 x 10.5 in. / 18 x 27 cm)
 - B5 (6.9 x 9.8 in. / 18 x 25 cm)

NOTE: The paper width must be 3.9 to 8.5 in. / 10 to 22 cm. The paper length must be 7 to 11.7 in. / 18 to 30 cm.

The duplexer *cannot* print:

- borderless prints
- poster layout

Automatic two-sided printing from a computer with WINDOWS OS

To print two-sided documents from a computer with WINDOWS OS using the duplexer:

1. Load plain paper into the paper tray.
2. Open the document you want to print, then select **File > Print**.
3. In the Print dialog box, make sure that **KODAK ESP 7200 Series AiO** is selected, then click **Properties**.
4. Select the **Layout** tab.
5. Select **Automatically with Duplexer**.
6. Under Flip on, select **Long edge** or **Short edge**, then click **OK**.
7. Click **OK**.

Automatic two-sided printing from a computer with MAC OS

To print two-sided documents from a computer with MAC OS using the duplexer:

1. Load plain paper into the paper tray.
2. Open the document you want to print, then select **File > Print**.
3. In the Print dialog box, make sure that **Eastman Kodak Company ESP 7200 Series AiO** is selected.
4. In the **Copies & Pages** drop-down list, select **Layout**.
5. In the **Two-Sided** drop-down list, select either **Long-Edge binding** or **Short-Edge binding**.
6. Click **Print**.

Manual two-sided printing

You can print two-sided documents on any size paper that the printer accepts (see ["Paper sizes" on page 15](#)) when you rotate the paper manually.

IMPORTANT: Manual two-sided printing will not work on bar-coded photo paper (the bar code is on the back side). Manual two-sided printing can only be done on media that can absorb ink on both sides, such as plain paper or two-sided photo paper.

Manual two-sided printing from a computer with WINDOWS OS

To print two-sided documents from a computer with WINDOWS OS:

1. Load paper into the paper tray.
2. Open the document you want to print, then select **File > Print**.
3. In the Print dialog box, make sure that **KODAK ESP 7200 Series AiO** is selected, then click **Properties**.
4. Select the **Layout** tab.
5. Select **Manual (Instructions provided)**, then click **OK**.
6. Click **OK**.
7. When a message appears on your computer and printer LCD, remove the printed pages from the output tray.
8. Rotate the printed pages 180 degrees, and place them into the paper tray (printed side up).
9. Press **Start** on the printer.

Manual two-sided printing from a computer with MAC OS

To print two-sided documents from a computer with MAC OS:

1. Load paper into the paper tray.
2. Open the document you want to print, then select **File > Print**.
3. In the Print dialog box, make sure that **Eastman Kodak Company ESP 7200 Series AiO** is selected.
4. In the **Copies & Pages** drop-down list, select **Paper Handling**.
5. In the **Pages to Print** drop-down list, select **Odd Only**.
6. In the **Page Order** drop-down list, select **Reverse**.
7. Click **Print**.
8. When the odd pages have finished printing, remove the printed pages from the output tray.
9. Rotate the printed pages 180 degrees and place them into the paper tray (printed side up).
10. Select **File > Print**.
11. In the **Copies & Pages** drop-down list, select **Paper Handling**.
12. In the **Pages to Print** drop-down list, select **Even Only**.
13. In the **Page Order** drop-down list, select **Normal**.
14. Click **Print**.

Printing forms

You can print the following preprogrammed forms:

- Graph paper
- Wide ruled
- Narrow ruled
- Grocery list
- Reminder list
- Tic-tac-toe
- Sheet music (portrait)
- Sheet music (landscape)

To print a preprogrammed form:

1. Press **Home**.
2. Press ▼ to select **Printable Forms**, then press **OK**.
3. Press ▼ to select a form.
4. Press ◀ or ▶ to select a quantity, then press **OK**.
5. Press **Start**.

Printing pictures

You can print pictures with your all-in-one printer from:

- A memory card inserted into a memory card slot
- A storage device (such as a flash drive) or camera connected to the front USB port with a USB cable
- A BLUETOOTH Technology enabled device (with the optional KODAK Wireless 2.0 USB BLUETOOTH Adapter plugged into the front USB port)
- An iPhone, iPod touch or iPad Device (may not be available with all models). For information, go to www.kodak.com/go/picflick.

You can also print pictures using Home Center Software from your computer with WINDOWS OS. Home Center Software lets you edit and enhance your pictures quickly. Open Home Center Software, select **Print Pictures**, then follow the on-screen instructions.

On a computer with either MAC OS or WINDOWS OS, you can print pictures from KODAK EASYSHARE Software or any picture-editing or photo-management software.

Printing from a memory card or USB-connected device

You can print pictures from the following cards or USB-connected devices:

MS/XD/SD Card slot	CF Card slot	Front USB port
<ul style="list-style-type: none"> • MULTIMEDIA Card (MMC) • XD Picture Card • SECURE DIGITAL (SD) Card • SECURE DIGITAL High Capacity (SDHC) Card • Variations of the memory cards above that require an adapter (for example, MEMORY STICK Duo, miniSD, microSD, and T-Flash) 	<ul style="list-style-type: none"> • COMPACTFLASH Card (Types I and II) • MICRODRIVE 	<ul style="list-style-type: none"> • PICTBRIDGE Technology enabled camera • Flash drive

IMPORTANT: *If you use a memory card with an adapter, make sure you insert and remove the adapter and the memory card as a unit; do not remove the memory card while leaving the adapter in the printer.*

Using default settings to print a picture

To print a picture from a memory card or USB-connected device using the default

settings:

1. Insert the memory card into the appropriate slot, or connect the digital camera or portable drive to the front USB port.

IMPORTANT: *Use only one slot or port at a time.*



2. Press ◀ or ▶ to select the picture you want to print.
3. Press **Start** to begin printing.

The printer prints a single 4 x 6 in. / 10 x 15 cm picture.

IMPORTANT: *To prevent loss of data from your memory card, do not remove it from the printer while printing.*

Changing the settings and printing a picture

You can change the print photos options for an individual picture or group of pictures, or you can change the settings and save them as the default.

To print a picture or pictures using settings other than the default settings:

1. Insert the memory card into the appropriate slot, or connect the digital camera or portable drive to the front USB port.

IMPORTANT: *Use only one slot or port at a time.*



2. Press ◀ or ▶ to select the picture you want to print, then press **OK**.
3. Repeat step 2 for each picture you want to print.
4. Press **Home**.
5. Press ▼ to select **View and Print Photos**, then press **OK**.
6. Press ▼ to select an option, then press ◀ or ▶ to change the setting.

Print Photos Option	Settings	Description
View Photos	--	Scroll through the pictures on the memory card.
Transfer All to PC	--	To transfer all the pictures on the memory card to your computer, press OK then Start . (Your printer and computer must be connected with a USB cable.)
Rotate This Photo		Press OK to rotate the selected photo.
Quantity	1 (default) to 99	The number of copies that print.
Tray Selection	Top Tray (default)	Picture prints on the paper in the top tray.
	Bottom Tray	Picture prints on the paper in the bottom tray.

Print Photos Option	Settings	Description
Print Size	2 x 3 3.5 x 5 4 x 6 (default) 4 x 7 5 x 7 If bottom tray is selected, the following choices also appear: 4 x 12 8 x 10 8.5 x 11 or A4	If the selected print size is smaller than the paper in the paper tray, the printer automatically arranges the pictures to best fit the paper size.
Plain Paper Quality (only available if bottom tray is selected)	Normal (default)	Good quality output; prints faster than Best.
	Best	The highest quality, but the slowest print speed; eliminates the banding effect that sometimes occurs when printing Draft or Normal.
	Draft	The fastest print speed, but the lowest quality.
Photo Paper Quality	Automatic (default)	The printer detects when you load photo paper and sets Best quality automatically.
Scene Balance	On (default) Off	Adjusts the image brightness to correct for underexposure and reduces the variation in contrast in different areas of the picture.
Color	Color (default)	Prints full color.
	Black & White	Prints black and white (gray scale).
Add Date to Prints	No (default) Yes	Prints the date of the picture(s) (the date the picture was taken or last edited) in a corner of the print.
Save as Defaults	No (default) Yes	To save settings as the new default, press OK , select Yes , then press OK .

7. When you have finished changing settings, press **Start** to begin printing.

IMPORTANT: To prevent loss of data from your memory card, camera, or portable drive, do not remove it from the printer while printing.

Printing tagged pictures

Some digital cameras let you tag (or “mark”) pictures on the memory card for printing. This creates a tag that is recognized by the printer. If you choose to print tagged pictures, they will be printed according to the default settings on your printer (unless otherwise specified by the tag from the camera).

NOTE: Refer to your camera user guide to determine whether your camera supports tagged (also “marked” or “DPOF”) functionality.

To print tagged pictures:

1. Insert the memory card into the appropriate slot.



2. When the “Print tagged images?” message appears, press **Start**.

Printing panoramic pictures

To print a panoramic picture, load 4 x 12 in. / 10 x 31 cm paper, or US letter or A4 paper in the main paper tray.

1. Insert the memory card into the appropriate slot, or connect the digital camera or portable drive to the front USB port.

IMPORTANT: Use only one slot or port at a time.



2. Press ◀ or ▶ to select the picture you want to print, then press **OK**.
3. Press **Home**.
4. Press ▼ to select **View and Print Photos**, then press **OK**.
5. Press ▼ to select **Tray Selection**, then press ▶ to select **Bottom Tray**.
6. Press ▼ to select **Print Size**, then press ▶ to select **4 x 12**.
7. Press **Start** to begin printing.

IMPORTANT: To prevent loss of data from your memory card, camera, or portable drive, do not remove it from the printer while printing.

Zooming and cropping pictures

Use the zoom buttons to select a portion of your picture for printing.



To zoom and crop a picture:

1. Insert the memory card into the appropriate slot, or connect the digital camera or portable drive to the front USB port.

IMPORTANT: Use only one slot or port at a time.



2. Press ◀ or ▶ to select the picture you want to crop, then press **OK**.
3. Press **Zoom +** to enlarge the picture on the LCD. A red box shows the area that will be printed.

NOTE: You can press **Zoom +** repeatedly to enlarge the picture in increments of 0.25 up to a magnification of 5X. Press **Zoom -** to decrease the magnification in increments of 0.25 down to 1X.

4. Use the navigation buttons to move the picture on the LCD up, down, left, or right. Only the part of the picture in the red box will print. The crop window matches the aspect ratio of the selected output print size.

NOTE: Zooming and cropping does not change the saved picture on the memory card.

5. When you are satisfied with the picture, press **OK**. The picture appears in the original view with a red box around the portion of the picture that will print.
6. Press **Start** to begin printing.

Printing pictures from a **BLUETOOTH Technology enabled device**

You can print pictures from wireless devices, such as mobile phones, digital cameras, and Personal Digital Assistants (PDAs) using the optional KODAK Wireless 2.0 USB BLUETOOTH Adapter.

To print a picture from a BLUETOOTH Technology enabled device:

1. Insert the KODAK Wireless 2.0 USB BLUETOOTH Adapter into the front USB port.
2. "Pair" the printer and the device so they can communicate.

NOTE: You must "pair" from your device's interface. For instructions, see the user manual for your device.

3. Select the picture you want to print, then select **Send** to begin printing.
The printer prints one 4 x 6 in. / 10 x 15 cm picture.

NOTE: See the user guide for your device for more information.

Printing pictures or documents from a **wireless device**

Wirelessly print pictures from an iPhone, iPod touch, or iPad* at the touch of a button. Download the KODAK Pic Flick App from the App Store, or go to www.kodak.com/go/picflick for more information.

* Compatible with iPhone (with MAC OS 2.2 or later), iPod touch (2nd generation), and iPad.

Transferring pictures to a computer

You can transfer .jpg, .mov, and .wav files from a memory card in the printer to your computer. To transfer these files, the printer **must** be connected to your computer with a USB cable and Home Center Software must be installed on your computer.

NOTE: If you have large video files or a large number of pictures (400 or more), we recommend that you use a memory card reader attached directly to your computer to transfer them.

Transferring pictures to a computer with WINDOWS OS

1. Insert the memory card into the memory card slot on the printer.
2. Press **Back**.
3. Press ▼ to select **View and Print Photos**, then press **OK**.
4. Press ▼ to select **Transfer All to PC**, then press **OK**.
5. Press **Start**.
6. If your computer is connected to a wireless network and with a USB cable, select the USB-connected printer (no number after the printer name).
7. Follow the on-screen instructions on your computer.

Transferring pictures to a computer with MAC OS

1. Insert the memory card into the memory card slot on the printer.
2. Press **Back**.
3. Press ▼ to select **View and Print Photos**, then press **OK**.
4. Press ▼ to select **Transfer All to PC**, then press **OK**.
5. Press **Start**.
6. If your computer is connected to a wireless network and with a USB cable, select the USB-connected printer (no number after the printer name).
7. Use iPhoto or Image Capture on your computer to complete the transfer.

You can copy documents and photographs with your all-in-one printer. The printer produces high-quality color or black-and-white copies on a variety of paper types (see [Paper types, page 15](#)).

Copying a document

You can copy a document using the default settings, or you can make adjustments to the quantity, size, quality, and brightness of your copies. When you copy a document, the printer will always use paper from the main (bottom) paper tray.

Using the default settings to copy a document

The default settings are either the factory default settings (see [Resetting factory defaults, page 67](#)), or defaults that you have set on the printer (see [Save as Defaults, page 41](#)).

To copy a document using the current default settings:

1. Lift the scanner lid, and place the document face down in the right-front corner of the scanner glass.



2. Close the lid.
3. Press **Home**.
4. Press **Start** to begin copying.

Adjusting the settings and copying a document

To copy a document using settings other than the default settings:

1. Lift the scanner lid, and place the document face down in the right-front corner of the scanner glass.



2. Close the lid.
3. Press **Home**.
4. Make sure **Copy Document** is selected, then press **OK**.
5. Press ▼ to select an option, then press ◀ or ▶ to change the setting.

Copy Document Option	Setting	Description
Quantity	1 (default) to 99	The number of copies that print.
Color	Color (default)	Prints full color.
	Black & White	Prints black and white (gray scale).
Copy Size	Same Size (default)	The copy is the same size as the original.
	Fit to Page	The printer detects the size of the original on the scanner glass and the size of the paper in the paper tray, and automatically reduces or enlarges the original so that the copy fits on the paper.
	20% to 500%	Reduces up to 20% or enlarges up to 500% of the original size.

Copy Document Option	Setting	Description
Plain Paper Quality	Normal (default)	Good quality output; prints faster than Best.
	Best	The highest quality, but the slowest print speed; eliminates the banding effect that sometimes occurs when printing Draft or Normal.
	Draft	The fastest print speed, but the lowest quality.
Photo Paper Quality	Automatic (default)	The printer detects photo paper in the paper tray and sets Best quality automatically.
Brightness	Normal, -3 to +3 (Normal is default)	Lightens or darkens the copy. Normal is no change from the original; -3 is the darkest; +3 is the lightest.
Save as Defaults	No / Yes	To save settings as the new default, press OK , select Yes , then press OK .

6. Press **Start** to begin copying.

Changing the number of copies of a document

To change the number of copies:

1. Lift the scanner lid, and place the document face down in the right-front corner of the scanner glass.



2. Close the lid.

3. Press **Home**.
4. Make sure **Copy Document** is selected, then press ◀ or ▶ to select a number.
5. Press **Start** to begin copying.

Enlarging or reducing a document

To enlarge or reduce the size of the copy:

1. Lift the scanner lid, and place the document face down in the right-front corner of the scanner glass.



2. Close the lid.
3. Press **Home**.
4. Make sure **Copy Document** is selected, then press **OK**.
5. Press ▼ to select **Copy Size**.
6. Press ◀ or ▶ to select an enlargement or reduction.
7. Press **Start** to begin copying.

Darkening or lightening a copy

To darken or lighten the copy:

1. Lift the scanner lid, and place the document face down in the right-front corner of the scanner glass.



2. Close the lid.
3. Press **Home**.
4. With **Copy Document** selected, press **OK**.
5. Press ▼ to select **Brightness**.
6. Press ◀ to select a number below zero for a darker copy, or press ▶ to select a number above zero for a lighter copy.
7. Press **Start** to begin copying.

Copying a photograph

You can copy a photograph using the default settings, or you can make adjustments to the quantity, size, quality, and brightness of your copies. When you copy a photograph, the printer will use paper from the top paper tray, unless you specify otherwise.

Using the default settings to copy a photograph

The default settings are either the factory default settings (see [Resetting factory defaults, page 67](#)), or defaults that you have set on the printer (see [Save as Defaults, page 46](#)).

To copy a photograph using the current default settings:

1. Lift the scanner lid, and place the photograph face down in the right-front corner of the scanner glass.



2. Close the lid.
3. Press **Home**.
4. Press ▼ to select **Copy Photo**.
5. Press **Start** to begin copying.

Adjusting the settings and copying a photograph

To copy a photograph using settings other than the default settings:

1. Lift the scanner lid, and place the photograph face down in the right-front corner of the scanner glass.



2. Close the lid.
3. Press **Home**.
4. Press ▼ to select **Copy Photo**, then press **OK**.
5. Press ▼ to select an option, then press ◀ or ▶ to change the setting.

Copy Photo Option	Setting	Description
Quantity	1 (default) to 99	The number of copies that print.
Color	Color (default)	Prints full color.
	Black & White	Prints black and white (gray scale).
Tray Selection	Top Tray (default)	Copy is made on the paper in the top tray.
	Bottom Tray	Copy is made on the paper in the bottom tray.

Copy Photo Option	Setting	Description
Copy Size	2 x 3 3.5 x 5 4 x 6 (default) 4 x 7 5 x 7 If bottom tray is selected (above), the following choices also appear: 4 x 12 8 x 10 8.5 x 11 or A4	The printer enlarges or reduces the original to make it the copy size you select. If the selected copy size is smaller than the paper in the paper tray, the printer automatically arranges the pictures to best fit the paper size.
Plain Paper Quality (available only if bottom tray is selected)	Normal (default)	Good quality output; prints faster than Best.
	Best	The highest quality, but the slowest print speed; eliminates the banding effect that sometimes occurs when printing Draft or Normal.
	Draft	The fastest print speed, but the lowest quality.
Photo Paper Quality	Automatic (default)	The printer detects photo paper in the paper tray and sets Best quality automatically.
Brightness	Normal, -3 to +3 (Normal is default)	Lightens or darkens the copy. Normal is no change from the original; -3 is the darkest; +3 is the lightest.
Preview	No (default) / Yes	To see a preview of the photograph on the LCD, select Yes .
Save as Defaults	No / Yes	To save settings as the new default, press OK , select Yes , then press OK .

6. Press **Start** to begin copying.

Changing the number of copies of a photograph

To change the number of copies:

1. Lift the scanner lid, and place the photograph face down in the right-front corner of the scanner glass.



2. Close the lid.
3. Press **Home**.
4. Press ▼ to select **Copy Photo**, then press **OK**.
5. Make sure **Quantity** is selected.
6. Press ◀ or ▶ to select a number.
7. Press **Start** to begin copying.

Enlarging or reducing a photograph

To enlarge or reduce the size of the copy:

1. Lift the scanner lid, and place the photograph face down in the right-front corner of the scanner glass.



2. Close the lid.
 3. Press **Home**.
 4. Press ▼ to select **Copy Photo**, then press **OK**.
 5. Press ▼ to select **Copy Size**.
 6. Press ◀ or ▶ to select the copy size.
- NOTE: If you select a copy size larger than 5 x 7 in. / 13 x 18 cm, press ▲ to select **Tray Selection**, then press ▶ to select **Bottom Tray**. Make sure that the paper in the bottom tray is the size and type (plain paper, photo paper, etc.) that you want.
7. Press **Start** to begin copying.

Darkening or lightening a copy of a photograph

To darken or lighten the copy:

1. Lift the scanner lid, and place the photograph face down in the right-front corner of the scanner glass.



2. Close the lid.
3. Press **Home**.
4. Press ▼ to select **Copy Photo**, then press **OK**.
5. Press ▼ to select **Brightness**.
6. Press ◀ to select a number below zero for a darker copy, or press ▶ to select a number above zero for a lighter copy.
7. Press **Start** to begin copying.

Scanning

Scanning digitizes documents and pictures, and sends the digital files to your computer.

When you scan, the digital file can:

- Open in Home Center Software
- Open in a third-party scanner software
- Be saved in a format and location that you determine (see [Changing the scan settings for scanning from the control panel, page 50](#))

Scanning from a software program on the computer (such as Home Center Software) gives you more options, but you can also scan from the printer control panel.

Before you begin scanning

Make sure that the printer is connected to a computer using a USB cable, Ethernet cable, or wireless network (see [Networking Your Printer, page 5](#)).

Changing the scan settings for scanning from the control panel

Make sure that Home Center Software is installed on the computer, then change the scan settings in the Home Center Software. These settings are the defaults that the printer uses when you scan from the printer control panel.

1. Open Home Center Software
2. Select **Tools and Documentation**.
3. Select **Printer Scan Settings**.
4. Adjust settings for scanning documents and pictures as described below.

To adjust settings for scanning documents, select the **Document** tab, then select:

- Color, Black and white, or Grayscale
- File format (.pdf, .rtf, .tif, .jpg)
- Resolution (75, 150, 300, 600 dpi)
- Prompt for File Name and Location or Automatically Save

If you choose to automatically save, you must specify:

- Base name (by default, scanned files are named "scan1", "scan2", etc)
- Location (folder) where the scanned files will be saved

To adjust settings for scanning pictures, select the **Picture** tab, then select:

- Color or Black and white
- File format (.jpg, .bmp, .tif)
- Resolution (75, 150, 300, 600 dpi)
- Quality (Best for E-mail, Normal, High, Maximum)
- Prompt for File Name and Location or Automatically Save

If you choose to automatically save, then specify:

- Base name (by default, scanned files are named "scan1," "scan2," etc)
- Location (folder) where the scanned files will be saved

Before saving a scanned file, you can preview it in Home Center Software, crop and sharpen the image, and adjust color, if desired. See the Home Center Software Help (? icon) for instructions.

Scanning from the computer

To scan a document or a picture:

1. Lift the scanner lid, and place the original face down in the right-front corner of the scanner glass.



2. Close the lid.
3. Open Home Center Software, then:
 - On a computer with WINDOWS OS, select **Scan Documents and Pictures**, then follow the on-screen instructions.
 - On a computer with MAC OS, select the **Tools** tab, click **Scan Application**, then follow the on-screen instructions.

Scanning multiple pictures simultaneously

Using Home Center Software, you can scan multiple pictures simultaneously and save them as separate files.

When scanning multiple pictures, leave space between the pictures so that the printer can detect the separate pictures. Any pictures that overlap are interpreted as a single picture.

Scanning multiple pictures when connected to a computer with WINDOWS OS

To scan multiple pictures simultaneously, and save them as separate files:

1. Lift the scanner lid, and place the pictures face down on the glass, leaving space between the pictures.
2. Close the lid.
3. Open Home Center Software, then select **Tools and Documentation**.
4. Select **Printer Scan Settings**, then select the **Picture** tab.
5. Select **Automatically Detect Pictures**, if it is not selected, then click **OK**.
6. Click the Home icon in the top right corner, then select **Scan Documents and Pictures**.
7. Make sure that **Picture** is selected and **Collage - Combine all pictures** is cleared, then follow the on-screen instructions.

NOTE: Click the Help icon for additional instructions.

Scanning multiple pictures when connected to a computer with MAC OS

To scan multiple pictures simultaneously, and save them as separate files:

1. Lift the scanner lid, and place the pictures face down on the glass, leaving space between the pictures.
2. Close the lid.
3. Open Home Center Software, and select your printer.
4. Select the **Tools** tab.
5. Click **Scan Application**.
6. Select **Color Picture** or **Black and White Picture**.
7. Select **Automatically detect multiple pictures**, if it is not selected.
8. Click **Preview** or **Scan All**, and follow the on-screen instructions.

NOTE: Click the Help icon for additional instructions.

Scanning from the control panel

To scan a document or a picture from the control panel:

1. Lift the scanner lid, and place the original face down in the right-front corner of the scanner glass.



2. Close the lid.
3. Press **Home**.
4. Press ▼ to select **Scan**, then press **OK**.
5. Press ▼ to select an option, then press ◀ or ▶ to change the setting.

Scan Option	Settings	Description
Scan To	USB-connected computer (default)	The scanned file is sent to the USB-connected computer.
	Name of computer (only if a computer is connected by wireless or Ethernet network)	The scanned file is sent to the computer on the wireless or Ethernet network.
	Memory card	The scanned file is sent to the memory card in one of the card slots. <i>IMPORTANT: Use only one card slot at a time.</i>

Scan Option	Settings	Description
Scan What	Document (default)	Sets the scan settings for scanning a document (see Changing the scan settings for scanning from the control panel, page 50).
	Photo	Sets the scan settings for scanning a photograph (see Changing the scan settings for scanning from the control panel, page 50).
Destination	File (default)	Sends the scanned file in the format and to the location on your computer that you designate (see Changing the scan settings for scanning from the control panel, page 50).
	Application	Sends the scanned file to Home Center Software.
Save as Defaults	No / Yes	To save the settings as the new default, press OK , select Yes , then press OK .

6. Press **Start** to begin scanning.

The scanned file appears at the destination you specified.

Maintaining Your Printer

Your printer requires little maintenance. However, Kodak recommends cleaning the scanner glass and lid regularly to remove dust and fingerprints, which affect the quality and accuracy of scanning.

Except while cleaning the printer, keep the printer plugged into an AC power outlet. If you use a power strip, don't turn off the power strip. (The printer does not necessarily have to be turned on, but should be plugged in.)

Keep the printhead and ink cartridges in the printer at all times to help prevent damage to the printhead.

For recycling and/or disposal information, contact your local authorities. In the US, go to the Electronics Industry Alliance at www.eia.org or go to www.kodak.com/go/recycle.

General care and cleaning

 CAUTION:

Always disconnect the power to the printer before cleaning it. Do not use harsh or abrasive cleaners on any part of the printer.

- To clean the printer, wipe the outside with a clean, dry cloth.
- Keep the surrounding area vacuumed and litter-free.
- Protect the printer from tobacco smoke, dust, and liquid spills.
- Do not place objects on the printer.
- Keep the printer supplies away from direct sunlight and out of high-temperature environments.
- Do not allow chemicals to come into contact with the printer.

Cleaning the scanner glass and document backing

The scanner glass can get smudged and minor debris can accumulate on the white document backing under the scanner lid. Periodically clean the scanner glass and document backing.

⚠ CAUTION:

- Do not use harsh or abrasive cleaners on any part of the printer.**
- Do not spray liquid directly on the glass.**
- Do not use paper-based wipes on the document backing as they can scratch it.**

To clean the scanner glass and document backing under the scanner lid:

1. Unplug the printer and lift the scanner lid.



2. Wipe the glass with a soft cloth or sponge, slightly moistened with a nonabrasive glass cleaner.



3. Dry the glass with a lint-free cloth.
4. Gently clean the document backing with a soft cloth or sponge, slightly moistened with mild soap and warm water.



5. Dry the document backing with a chamois or soft, lint-free cloth.
- NOTE: If the document backing needs further cleaning, use isopropyl (rubbing) alcohol on a soft cloth, then wipe thoroughly with a cloth moistened with water to remove any residual alcohol.
6. When you finish cleaning, plug in the printer.

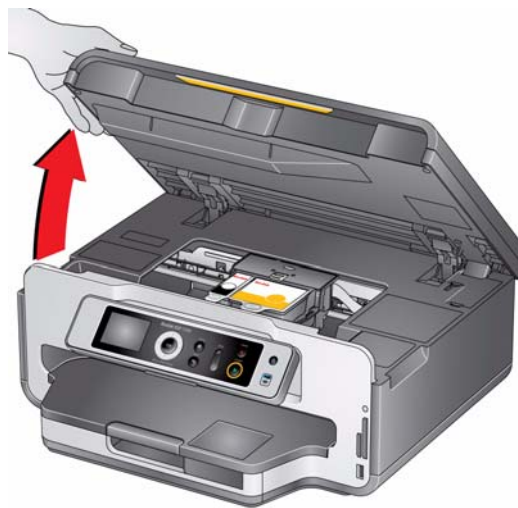
Replacing ink cartridges

Your printer uses both black and color ink cartridges. You can check the approximate ink levels on the LCD (see [Checking ink levels, page 66](#)) or in Home Center Software. When an ink cartridge is out of ink, the printer LCD displays a message stating that the black or color ink cartridge needs replacing.

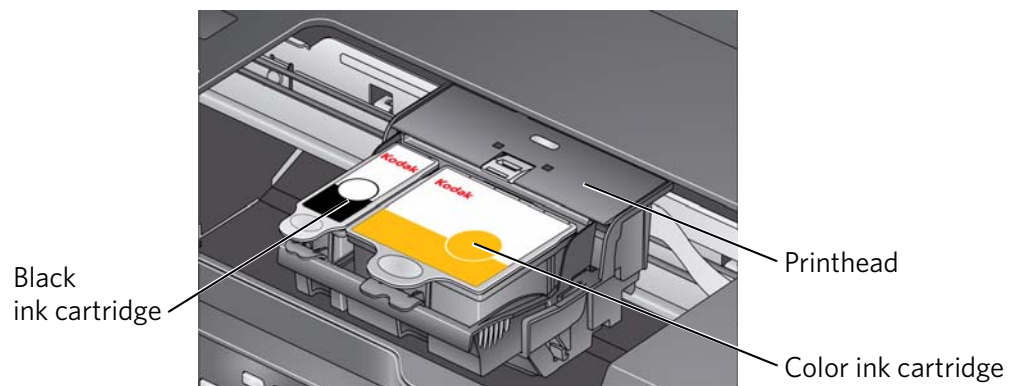
IMPORTANT: *Do not use non-Kodak brand or refilled ink cartridges.*

To replace an ink cartridge:

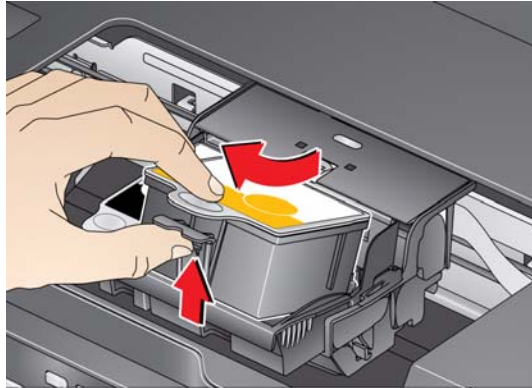
1. Make sure your printer is on.
2. Lift the printer access door, and wait for the carriage to move to the access position.



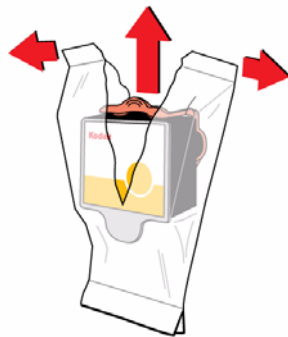
The ink cartridges are located in the printhead.



3. Pinch the tab on the ink cartridge and lift it out of the printhead.

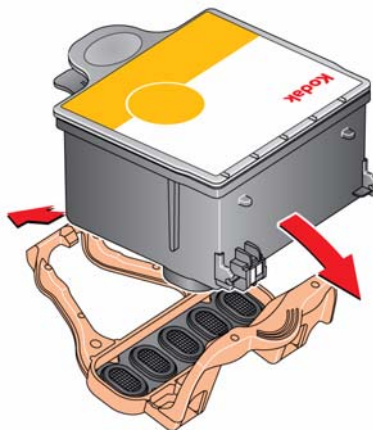


4. Remove the new ink cartridge from its bag.

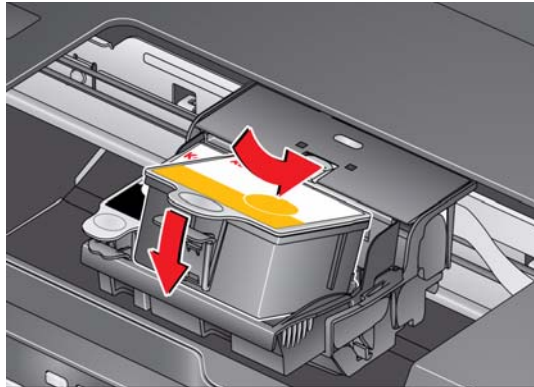


IMPORTANT: *To prevent the printhead from drying out, insert the ink cartridge into the printhead immediately.*

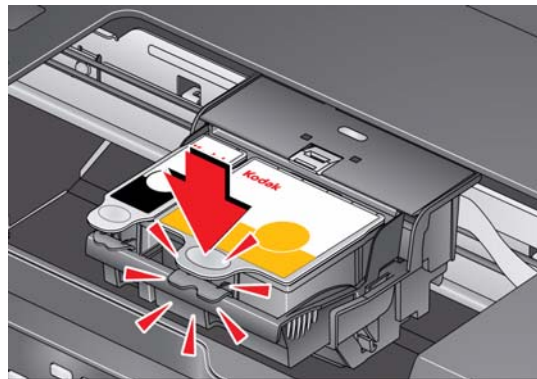
5. Remove the protective cap from the cartridge.



6. Insert the ink cartridge into the printhead.



7. Press down on the ink cartridge tab until you hear a click.



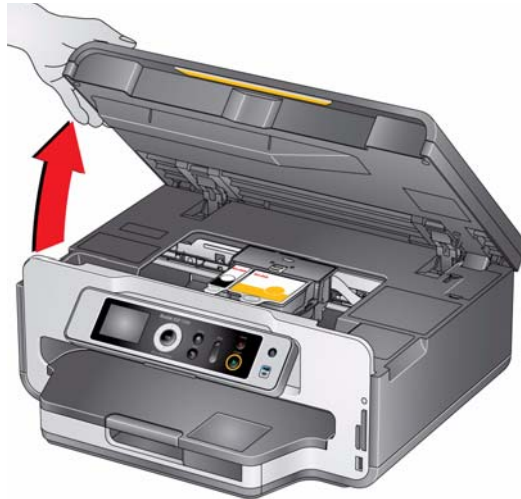
8. Close the printer access door.

Replacing the printhead

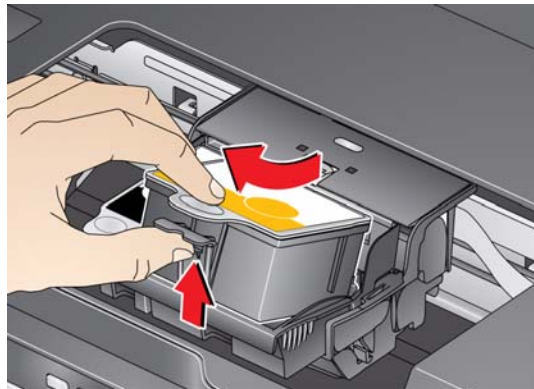
IMPORTANT: *Replacing the printhead is not a regular maintenance procedure. Replace the printhead only if you receive a new printhead from Kodak.*

To replace the printhead:

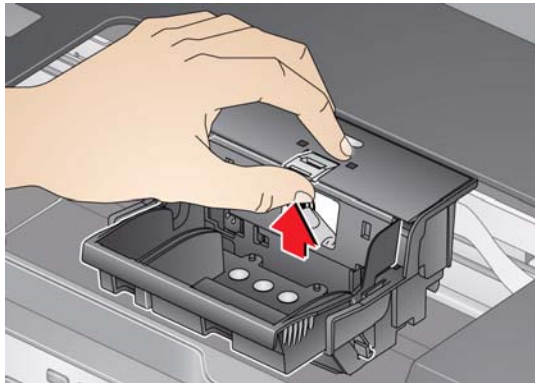
1. Make sure your printer is on.
2. Lift the printer access door, and wait for the carriage to move to the access position.



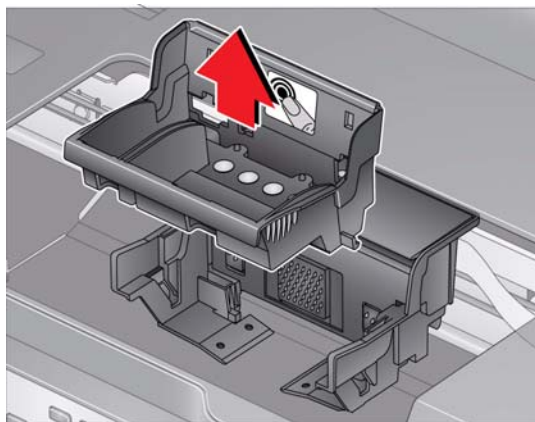
3. Remove both ink cartridges and set them aside.



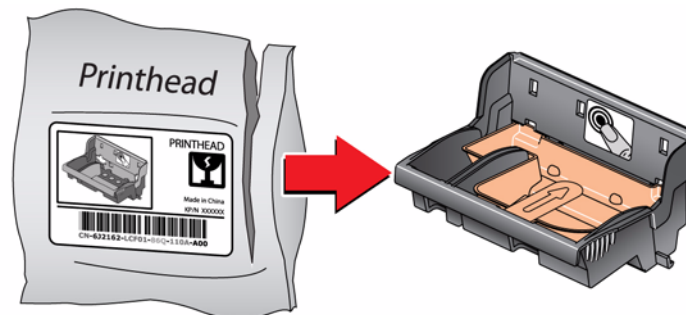
4. Unlatch the used printhead by lifting the button in the center of the carriage.



5. Lift the used printhead out of the carriage.

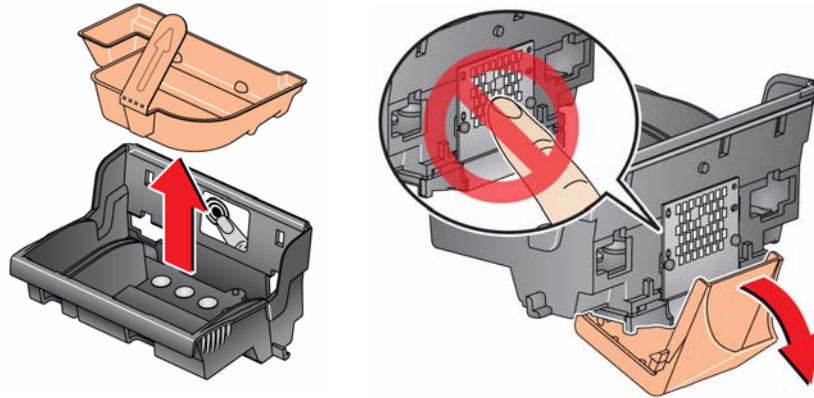


6. Remove the new printhead from its bag.

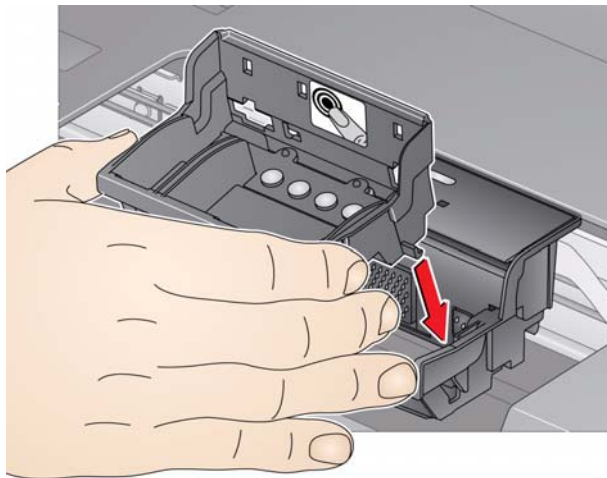


⚠ CAUTION:
Do not touch the gold contacts on the printhead, as doing so may damage it.

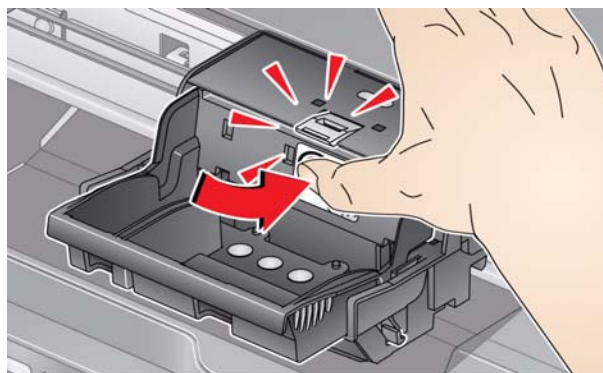
7. Remove the two plastic, protective caps.



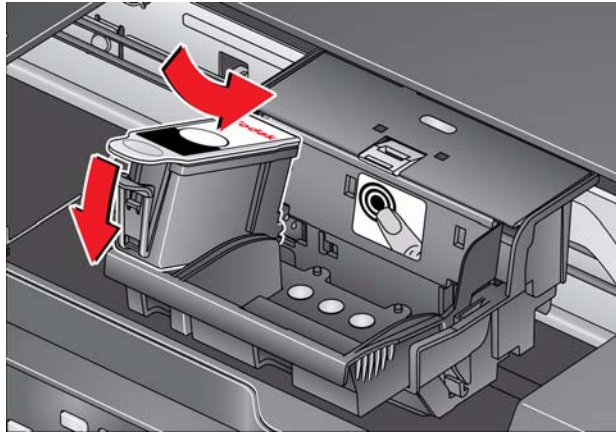
8. Place the new printhead into the carriage.



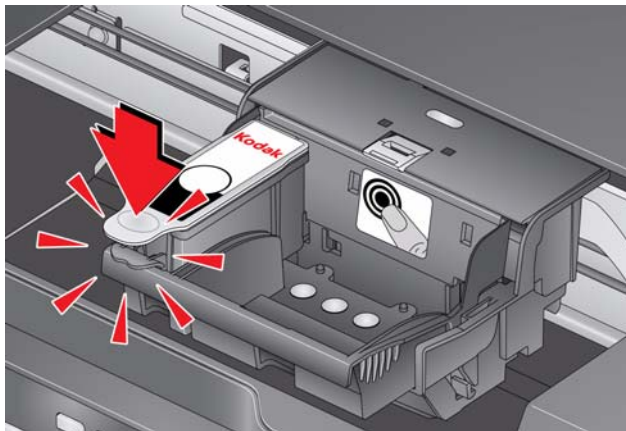
9. Push firmly against the target label of the printhead until you hear a loud snap.



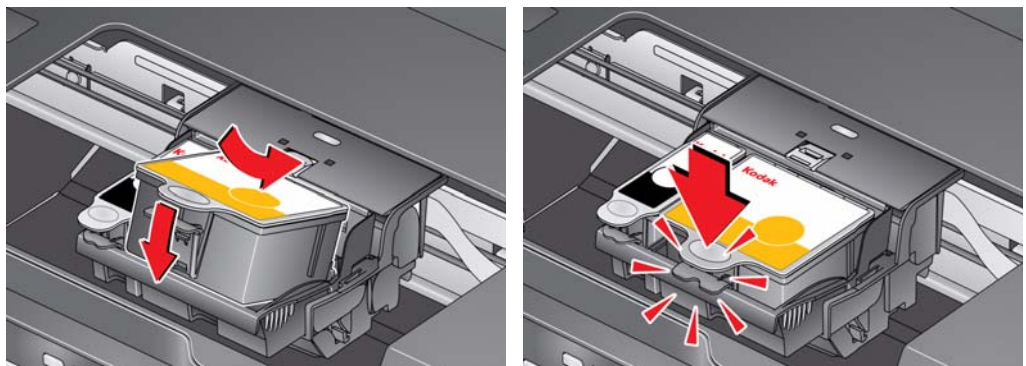
10. Insert the black ink cartridge into the printhead.



11. Press down on the ink cartridge tab until you hear a click.



12. Repeat steps 10 - 11 for the color ink cartridge.



13. Close the printer access door.

The printer detects the new printhead. Follow the instructions on the LCD to calibrate your printer.

Updating the software and printer firmware

Using the latest software and firmware helps ensure optimal performance of your printer.

NOTE: Firmware is the software that runs on the printer.

When you open Home Center Software on a computer with WINDOWS OS, the software automatically checks for software and firmware updates. On a computer with MAC OS, you have to check manually for updates.

Use the following procedure to update manually.

Updating if your printer is connected to a computer with WINDOWS OS

To update the software:

1. Make sure that your computer is connected to the Internet.
2. Open Home Center Software.
3. Click **Tools and Documentation**.
4. Under Web Links, click **Check for Software Updates** to check whether software updates are available.
5. If there are updates, click **Next** and follow the on-screen instructions.

To update the printer firmware:

1. Make sure that your computer is connected to the Internet.
2. Connect the printer to the computer with a USB cable, Ethernet cable, or wirelessly (if not currently connected).
3. Open Home Center Software.
4. Click **Tools and Documentation**.
5. Under Web Links, click **Check for Printer (Firmware) Updates**.
6. If there are updates, click **Next** and follow the on-screen instructions.

IMPORTANT: Do not turn off or unplug your printer or your computer during the update.

Updating if your printer is connected to a computer with MAC OS

To update the software:

1. Make sure that your computer is connected to the Internet.
2. Open Home Center Software.
3. On the File menu, select **Check for Updates**.
4. If there are updates, follow the on-screen instructions.

To update the firmware:

1. Go to www.kodak.com/go/esp7250downloads.
2. Connect the printer to the computer with a USB cable, Ethernet cable, or wirelessly (if not currently connected).
3. Select your operating system from the drop-down list.
4. Click **Select** in the Firmware box.
5. Read the instructions, click **Download**, then follow the on-screen instructions.

IMPORTANT: *Do not turn off or unplug your printer or your computer during the update.*

Monitoring and adjusting printer performance

From the control panel, you can perform tasks to help keep the printer functioning well.

Checking ink levels

To check the ink levels:

1. Press **Home**.
2. Press ▼ to select **Maintenance**, then press **OK**.
3. With **Check Ink Levels** selected, press **OK**.

The LCD shows approximate levels of ink in the cartridges so you know when it's time to order replacement cartridges.

Resetting factory defaults

To reset defaults to the factory default settings:

1. Press **Home**.
2. Press ▼ to select **Printer Settings**.
3. Press ▼ to select **Reset All Settings**, then press **OK**.
4. When you see the message, "This will reset printer settings to factory defaults," press **OK**.

NOTE: Resetting factory defaults does not change the date and time, language, country/region, or network settings.

Basic troubleshooting

Some problems can be resolved quickly by power cycling the printer: Turn off your printer. Wait five seconds. Turn on the printer.

Use the following information to help troubleshoot problems with your printer.

Problem	Possible Solutions
Printer does not power on	<ul style="list-style-type: none"> ▪ Make sure you are using the power cord that came with your printer. ▪ Make sure the power cord is connected to the AC adapter and is plugged into an outlet or power strip. ▪ If the USB 2.0 cable was disconnected from the printer, then reconnected, or if power to the printer was interrupted, restart the computer.
Printer not detected	<ul style="list-style-type: none"> ▪ Make sure your printer is plugged in and turned on. ▪ If you are using a USB cable, make sure: <ul style="list-style-type: none"> - you have a USB 2.0 cable. - that the USB cable is connected to both your printer and your computer. ▪ If you are using a wireless connection, make sure: <ul style="list-style-type: none"> - the printer is connected to your wireless network (check the Wi-Fi connectivity LED and the SSID). - your router is transmitting data. - the firewall (excluding WINDOWS Firewall) is allowing the services needed for your printer. <p>For additional information, go to www.kodak.com/go/inkjetnetworking.</p>
Wireless connectivity	For wireless connectivity issues, go to www.kodak.com/go/inkjetnetworking .
Printhead carriage jam	<ul style="list-style-type: none"> ▪ Open the printer access door and clear any obstructions. ▪ Check that the printhead and ink cartridges are installed correctly. (The printhead and ink cartridges are installed correctly when you hear them click into place.)

Problem	Possible Solutions
Print quality	<ul style="list-style-type: none"> ▪ For best results, use KODAK Paper or a paper with the COLORLOK Technology logo on the package. ▪ Make sure the paper is loaded correctly (see Loading paper, page 17). <p>For more information, go to www.kodak.com/go/itg, select All-in-one printer, then Print Quality (missing colors, blank prints, etc).</p>
Ink cartridge	<ul style="list-style-type: none"> ▪ Check that KODAK Ink Cartridge(s) are installed. Do not use non-Kodak brand or refilled ink cartridges. ▪ Remove, then install the cartridges again. Make sure the cartridges click into place.
Paper jam	<ul style="list-style-type: none"> ▪ Check for paper behind the duplexer in the rear-access cleanout area. ▪ Remove the duplexer and gently remove any paper from inside the printer. ▪ Make sure the paper in the tray is free of tears or creases. ▪ Make sure you do not overload the paper tray. <p>For more information, go to www.kodak.com/go/itg. Select All-in-one printer, then Paper jam.</p>
Error messages or other problems you cannot resolve	<p>If you need to contact Kodak (see www.kodak.com/go/contact), have the following information available:</p> <ul style="list-style-type: none"> ▪ Kodak Service Number (located inside the printer when you open the printer access door) ▪ Printer model number (located on the control panel) ▪ Computer model, operating system, and version of Home Center Software ▪ Exact wording of any error message(s)

Getting help on the Web

For more troubleshooting information:

Get help with wireless networking.	www.kodak.com/go/inkjetnetworking
Use our Step-by-Step Solutions and Repair tool to troubleshoot common problems.	www.kodak.com/go/itg
Search our knowledge base of FAQs (Frequently Asked Questions).	www.kodak.com/go/esp7250support
Download the latest firmware and software for optimal printer performance.	www.kodak.com/go/esp7250downloads
See the recommended system requirements.	www.kodak.com/go/esp7250specs
Get help with problems you cannot resolve.	<p>Contact Kodak at www.kodak.com/go/contact and have the following information available:</p> <ul style="list-style-type: none"> - Kodak Service Number (located inside the printer when you open the printer access door) - Printer model number (located on the control panel) - Computer model, operating system, and version of Home Center Software

Status lights

The status lights indicate the condition of the printer. There are two status lights on the printer, one that indicates power, the other indicates Wi-Fi status.

Power status light

Power light	What it means
Off	<p>The printer is turned off.</p> <ul style="list-style-type: none"> Press the on/off button to turn on power. <p>The printer does not have power.</p> <ul style="list-style-type: none"> Make sure that the power cord is plugged into the back of the printer and into an electrical outlet, and that the electrical outlet has power.
Blinking	<p>The printer is busy.</p> <ul style="list-style-type: none"> Wait for the printer to finish the task.
On	The printer is ready.

Wi-Fi status light

Wi-Fi status light	What it means
Off	The Wi-Fi radio is either turned off or is turned on but not connected to a wireless network.
Blinks continuously	The Wi-Fi radio is turned on and the printer is searching for available wireless networks within range.
Blinks intermittently	<p>The Wi-Fi radio is turned on and the printer cannot find any available wireless networks within range, or the Wi-Fi radio connection has been interrupted or is too weak to send signals.</p> <p>To find and connect to an available wireless network within range, press OK, turn the Wi-Fi radio off, and run the WiFi Setup Wizard (see Connecting to a wireless network, page 5).</p>
On	The Wi-Fi radio is turned on and there is a working connection between the printer and a wireless network.

Product and Safety Specifications

The following specifications are subject to change without notice.

Features and Specifications

Print performance

Black print speed	Up to 32 pages per minute on plain paper
Color print speed	Up to 30 pages per minute on plain paper
Print technology	Continuous-tone, thermal inkjet
Print quality modes	Draft, Normal, and Best on plain paper Photo quality mode on photo paper

Photo printing features

Quantity	1 to 99 (may vary for different models of the 7200 series printers)
Print sizes	2 x 3 in. (5 x 8 cm) 3.5 x 5 in. (9 x 13 cm) 4 x 6 in. (10 x 15 cm) 4 x 7 in. (10 x 18 cm) 4 x 12 in. (10 x 30 cm) (Panoramic) 5 x 7 in. (13 x 18 cm) 8 x 10 in. (20 x 25 cm) US Letter - 8.5 x 11 in. (22 x 28 cm) A4 (21 x 30 cm)
Quality	Best, Normal, Draft, Automatic
Auto-detect media	Auto-detect plain paper, photo paper, and transparency Optimize image quality for KODAK Photo Papers with barcode
Image enhancement	KODAK PERFECT TOUCH Technology with Home Center Software (from the computer only)
Color	Black-and-white or color
Scene balance	On (default), Off

Copy document features

- Color** Black-and-white or color
- Quantity** 1 to 99 copies
(may vary for different models of the 7200 series printers)
- Copy sizes** Same Size, Fit-to-Page, 20% to 500%
(may vary for different models of the 7200 series printers)
- Plain paper quality** Best, Normal, Draft
- Brightness** - 3 to + 3

Copy photo features

- Color** Black-and-white or color
- Quantity** 1 to 99 copies
(may vary for different models of the 7200 series printers)
- Copy sizes** 2 x 3 in. (5 x 7.6 cm)
3.5 x 5 in. (9 x 12.7 cm)
4 x 6 in. (10 x 15 cm)
4 x 7 in. (10 x 18 cm)
4 x 12 in. (10 x 30 cm) (Panoramic)
5 x 7 in. (13 x 18 cm)
8 x 10 in. (20 x 25 cm)
US Letter - 8.5 x 11 in. (22 x 28 cm)
A4 (21 x 30 cm)
- Quality** Automatic
- Brightness** - 3 to + 3

Scanning features

- Scanner type** Contact Image Sensor (CIS)
- Maximum scan size** 8.5 x 11.7 in. (21.6 x 29.7 cm)
- Functions** Segmentation scanning
Auto-destination
Optical Character Recognition (OCR)

Bottom input paper tray

Paper capacity 100 sheets of 20 lb plain paper
20 envelopes

Tray size 4 x 6 in. to 8.5 x 14 in. (10 x 15 cm to 21.6 x 36 cm)

Top input paper tray

Paper capacity 40 sheets of photo paper, up to 12 mil (290 gsm)

Tray size 4 x 6 in. to 5 x 7 in. (10 x 15 cm to 13 x 18 cm)

Output paper tray

Paper capacity 50 sheets of 20 lb plain paper

Ink cartridges

Ink handling 2-cartridge, 6-ink system

Ink life 1-year warranty from date of purchase

Connectivity

Protocols supported USB 2.0 high speed

Devices supported Computers with WINDOWS OS and computers with MAC OS; mobile phones with custom print applications; memory cards (MMC, XD, SD, SDHC, COMPACTFLASH Types I and II, MICRODRIVE); PICTBRIDGE Technology enabled cameras, flash drives

Image formats supported Image printing supports JPEG (EXIF v2.21 non-progressive); does not support progressive JPEG format

Number of USB ports Two USB 2.0 high-speed ports, one device port on the back of the printer, one host port in the front

Wi-Fi technology supported 802.11n, WPA, WMM, and WPS

Software support

- Application support** Third-party image-management software; optical character reader (OCR) support for documents
- Media support** Plain paper, photo paper, envelopes, greeting cards, card stock, transparencies with white stripe, labels
- Scanner support** TWAIN and WIA, WIA2 (VISTA OS), including segmentation scanning
- Update support** Software and firmware updates available through Web support

Physical specifications

- Power** WW: 110-240 V AC, 50-60 Hz
Output: 36 V DC at 1.6 A
- Dimensions** 45 x 19 x 43 cm [L x W x D]
(17.5. x 7.4. x 16.8 in.)
- Weight** 6.6 kg (14.5 lb) without power supply, printhead, or ink cartridges
- Operating range** 5° - 35°C (41°- 95°F), 15 to 85% RH (non-condensing) and atmospheric pressure of no less than 15 PSI (approximately 10,000 ft.)
- Full image quality environmental range** 15° - 30°C (59° - 86°F), and 20 to 80% RH.
- Energy efficiency** ENERGY STAR® Qualified

Warranty

- Product** One year from purchase (with proof of purchase)
- Printhead** One year from purchase (with proof of purchase)

System requirements

Computer with WINDOWS OS

Computer	Minimum
Operating System	WINDOWS VISTA or XP Home (SP2 or later)
CPU	Intel Celeron
Clock speed	1.2 GHz
Memory	512 MB RAM
Available hard disk space	500 MB available
Interface	USB
Removable drive	CD-ROM

Computer with MAC OS

Computer	Minimum
Operating System	MACINTOSH OS X 10.4.8 or later
CPU	PowerPC G4, G5, or Intel Based Mac
Clock speed	1.2 GHz
Memory	512 MB RAM
Available hard disk space	200 MB available
Interface	USB
Removable drive	CD-ROM

Paper types supported

Plain paper	20 to 24 lb (75 to 90 gsm)
Photo paper	Up to 12 mil
Card stock	110 lb index max (200 gsm)
Envelopes	20 to 24 lb (75 to 90 gsm)
Transparencies	All commercially available inkjet varieties (with a white stripe)
Labels	All commercially available inkjet varieties on 8.5 x 11 in. and A4 size sheets
Iron-on transfers	All commercially available inkjet varieties on 8.5 x 11 in. and A4 size sheets

Paper sizes supported

Plain paper	A4 (8.3 x 11.7 in. / 21 x 30 cm) A5 (5.8 x 8.3 in. / 15 x 21 cm) A6 (4.1 x 5.8 in. / 11 x 15 cm) B5 (6.9 x 9.8 in. / 18 x 25 cm) US Executive (7.3 x 10.5 in. / 18 x 27 cm) US Letter (8.5 x 11 in. / 22 x 28 cm) US Legal (8.5 x 14 in. / 22 x 36 cm) Custom sizes from 4–8.5 in. / 10–22 cm wide and 6–14 in. / 15–36 cm long
Labels	A4 (8.3 x 11.7 in. / 21 x 30 cm) US Letter (8.5 x 11 in. / 22 x 28 cm)
Index card stock	4 x 6 in. index cards (10 x 15 cm) 5 x 7 in. index cards (13 x 18 cm)
Transparencies and iron-on transfers	A4 (8.3 x 11.7 in. / 21 x 30 cm) US Letter (8.5 x 11 in.) (216 x 280 mm)

Envelopes C5 (6.4 x 9 in. / 16 x 23 cm)
C6 (4.5 x 6.4 in. / 11 x 16 cm)
DL (designated long) (4.3 x 8.7 in. / 11 x 22 cm)
US #10 (4.1 x 9.5 in / 11 x 24 cm)
US #7³/₄ (3.9 x 7.5 in. / 10 x 19 cm)
US #9 (3.9 x 8.9 in. / 10 x 23 cm)

Photos 4 x 6 in. (10 x 15 cm)
4 x 7 in. (10 x 18 cm)
4 x 12 in. (10 x 31 cm)
5 x 7 in. (13 x 18 cm)
8 x 10 in. (20 x 25 cm)
US Letter (8.5 x 11 in. / 22 x 28 cm)
A4 (8.3 x 11.7 in. / 21 x 30 cm)

Safety information

- Always follow all warnings and instructions marked on the product.
- Use only the power source indicated on the product regulatory label.
- Use only the power cord that comes with the product. Using another power cord may cause fire and/or shock. Do not use the included power cord with any other equipment.
- Always turn this product off by using the On/Off button. Wait until the On/Off button stops flashing before removing the power plug from the outlet.
- Do not allow the power cord to become damaged or frayed.
- If you need to use an extension cord with this product, make sure that the ampere rating of the product does not exceed the ampere rating of the extension cord.
- Place the product on a flat, stable surface that extends beyond the product's base in all directions. This product will not operate properly if tilted or at an angle.
- When storing or transporting this product, do not tilt or stand it on its side. Never turn this product upside down (ink can leak out of the product).
- Avoid placing this product in an environment that is subject to rapid changes in temperature or humidity, mechanical shocks, vibration, or dust. Do not place near radiators, heating vents, or in direct sunlight.
- Leave enough room around this product for sufficient ventilation.
- Do not block this product's covers or openings, or insert any objects through slots.
- Do not use aerosol products inside or around this product.
- Do not spill any liquid on this product.
- Do not attempt to repair or service this product.
- If the power cord or plug is damaged, if any liquid has been spilled onto the product, if the product has been dropped or the case damaged, if the product does not operate normally or exhibits a major change in performance level, unplug this product and contact Kodak at www.kodak.com/go/contact.

LCD screen safety

- Use only a dry, soft cloth to clean the LCD screen. Do not use any liquid or chemical cleaners.
- If the LCD screen is damaged, contact Kodak immediately. If any of the solution from the display gets on your hands, wash them thoroughly with soap and water.

Ink cartridge safety

- Keep all ink cartridges out of the reach of children.
- If ink gets on your skin, wash with soap and water. If ink gets into your eyes, flush immediately with water. If any discomfort or change in vision persists after washing, seek medical attention immediately.
- For MSDS information on inks, go to www.kodak.com/go/MSDS.

Regulatory compliance

FCC statement

The United States Federal Communications Commission (in CFR 47 Part 15.105) has specified that the following notice be brought to the attention of the users of this product:

NOTE: This equipment has been tested and found to comply with the limits for a Class B digital device, pursuant to part 15 of the FCC Rules. These limits are designed to provide reasonable protection against harmful interference in a residential installation. This equipment generates, uses, and can radiate radio frequency energy and, if not installed and used in accordance with the instructions, may cause harmful interference to radio communications. However, there is no guarantee that interference will not occur in a particular installation. If this equipment does cause harmful interference to radio or television reception, which can be determined by turning the equipment off and on, the user is encouraged to try to correct the interference by one or more of the following measures:

- Reorient or relocate the receiving antenna.
- Increase the separation between the equipment and receiver
- Connect the product into an outlet on a circuit different from that to which the receiver is connected.
- Consult the dealer or an experienced radio/TV technician for help.

 CAUTION:

Pursuant to Part 15.21 of the FCC Rules, any changes or modifications to this product not expressly approved by Eastman Kodak Company might cause harmful interference and void the FCC authorization to operate this product.

The radiated energy from this product is well below the FCC radio frequency exposure limits. Nevertheless, the product shall be used in such a manner that the potential for human contact during normal operation is minimized. This product and any attached external antenna, if supported, shall be placed in such a manner to minimize the potential for human contact during normal operation. In order to avoid the possibility of exceeding the FCC exposure limits, human proximity shall not be less than 20 cm (8 inches) during normal operation.

Canadian statements

This product meets the applicable Industry Canada technical specifications.

Operation is subject to the following two conditions: (1) this device may not cause interference, and (2) this device must accept any interference, including interference that may cause undesired operation of the device.

This Class B digital apparatus complies with Canadian ICES-003.

Industry Canada (IC) Radiation Exposure Statement

This equipment complies with IC radiation exposure limits set forth for an uncontrolled environment. This equipment should be installed and operated with a minimum distance of 20 cm between the radiator and your person.

European compliance statement



Hereby, Eastman Kodak Company declares that this KODAK all-in-one wireless printer is in compliance with the essential requirements and other relevant provisions of Directive 1999/5/EC.

German compliance statement

Noise emissions for this equipment do not exceed 70 dB(A).

This equipment is not intended for use in the work place in accordance with BildscharbV regulations.

“Das Gerät ist nicht für die Benutzung am Bildschirmarbeitsplatz gemäß BildscharbV vorgesehen.”

REACH Article 33 declarations

Go to www.kodak.com/go/REACH for information about the presence of substances included on the candidate list according to article 59(1) of Regulation (EC) No. 1907/2006 (REACH).

Power supply information

Certified External Power Supply that can be used with this product: Hipro HP-A0601R3, or Flextronics VP-09500084-000.

Waste electrical and electronic equipment labeling



In the European Union, do not discard this product as unsorted municipal waste. Contact your local authorities or go to www.kodak.com/go/recycle for recycling program information.

ENERGY STAR® Qualified



ENERGY STAR and the ENERGY STAR mark are registered U.S. service marks. As an ENERGY STAR partner, KODAK has determined that this product meets ENERGY STAR Guidelines for energy efficiency. For more information on the ENERGY STAR program, see www.energystar.gov.

Warranty Information

Limited Warranty

Kodak warrants Kodak consumer electronic products and accessories (“Products”), excluding batteries, to be free from malfunctions and defects in both materials and workmanship for one year from the date of purchase. Retain the original dated sales receipt. Proof of the date of purchase will be required with any request for warranty repair.

Limited Warranty Coverage

Warranty service is only available from within the country where the Products were originally purchased. You may be required to send Products, at your expense, to the authorized service facility for the country where the Products were purchased.

Kodak will repair or replace Products if they fail to function properly during the warranty period, subject to any conditions and/or limitations stated herein.

Warranty service will include all labor as well as any necessary adjustments and/or replacement parts. If Kodak is unable to repair or replace a Product, Kodak will, at its option, refund the purchase price paid for the Product provided the Product has been returned to Kodak together with proof of the purchase price paid. Repair, replacement, or refund of the purchase price are the sole remedies under this warranty. If replacement parts are used in making repairs, those parts may be

remanufactured or may contain remanufactured materials. If it is necessary to replace the entire Product, it may be replaced with a remanufactured Product. Remanufactured Products, parts and materials are warranted for the remaining warranty term of the original Product, or 90 days after the date of repair or replacement, whichever is longer.

Limitations

This warranty does not cover circumstances beyond Kodak's control. This warranty does not apply when failure is due to shipping damage, accident, alteration, modification, unauthorized service, misuse, abuse, use with incompatible accessories or attachments (such as third party ink or ink tanks), failure to follow Kodak's operation, maintenance or repacking instructions, failure to use items supplied by Kodak (such as adapters and cables), or claims made after the duration of this warranty. KODAK MAKES NO OTHER EXPRESS OR IMPLIED WARRANTY FOR THIS PRODUCT, AND DISCLAIMS THE IMPLIED WARRANTIES AND CONDITIONS OF MERCHANTABILITY AND FITNESS FOR A PARTICULAR PURPOSE. In the event that the exclusion of any implied warranty is ineffective under the law, the duration of the implied warranty will be one year from the purchase date or such longer period as required by law. The option of repair, replacement, or refund is Kodak's only obligation. Kodak will not be responsible for any special, consequential or incidental damages resulting from the sale, purchase, or use of this product regardless of the cause. Liability for any special consequential or incidental damages (including but not limited to loss of revenue or profit, downtime costs, loss of the use of the equipment, cost of substitute equipment, facilities or services or claims of your customers for such damages resulting from the purchase, use or failure of the Product), regardless of cause, or for breach of any written or implied warranty is expressly disclaimed.

Your Rights

Some states or jurisdictions do not allow exclusion or limitation of incidental or consequential damages, so the above limitation or exclusion may not apply to you. Some states or jurisdictions do not allow limitations on how long an implied warranty lasts, so the above limitation may not apply to you. This warranty gives you specific rights, and you may have other rights which vary from state to state or by jurisdiction. Your statutory rights are not affected.

Outside the United States and Canada

In countries other than the United States and Canada, the terms and conditions of this warranty may be different. Unless a specific Kodak warranty is communicated to the purchaser in writing by a Kodak company, no warranty or liability exists beyond any minimum requirements imposed by law, even though defect, damage, or loss may be by negligence or other act.

Declaration of Conformity



Manufacturer's Name: Eastman Kodak Company
Manufacturer's Address: 16275 Technology Drive
San Diego, CA 92127, USA

Declares our sole responsibility that the product

Product Name: KODAK ESP 7250 Series All-in-One Printer
Power adapters: HP-A0601R3, VP-09500084-000
Radio Module Number: WLU6120

conforms to the following Product Specifications:

Safety:	IEC 60950-1:2001 EN 60950-1:2001 + A11:2004 UL 60950-1:2003 R7.06 CAN/CSA-C22.2 No. 60950-1-03	Radio:	EN 301 489-1 V1.8.1 (2008-04) EN 301 489-17 V1.3.2 (2008-04) AS/NZS 4268:2003 + A1:2005 + A2:2006
EMC:	EN 55022:2006+A1:2007, Class B CISPR 22:1997 Class B EN 61000-3-2:2006, Class A EN 61000-3-3:1995+A1:2001 +A2:2005 AS/NZS CISPR 22:2006, Class B EN 61000-4-2:1995 + A1:1998 + A2:2001 EN 61000-4-3:2006 + A1:2008 EN 61000-4-4:2004 EN 61000-4-11:2004 EN 61000-4-8:2001 ED 1.1 CFR 47, FCC Part 15, Subpart B, Class B EN 61000-4-5:2006 EN 61000-4-6:2007 ICES-003:2004 Class B ANSI C63.4-2003		

The product was tested in a typical configuration.

Index

B

- back button, 2
- black-and-white copies, 40, 45
- BLUETOOTH Technology enabled device
 - printing pictures from, 37
- bottom tray, 45
- button sounds, changing, 4
- buttons, on control panel, 2

C

- cancel button, 2
- card slot
 - CF, 1
 - MS/XD/SD, 1
- CF card slot, 1
- cleaning
 - document backing, 56
 - printer, 55
 - scanner glass, 56
- cleanout area, 1
- color copies, 40, 45
- computer requirements, 76
- configuring printer settings, 4
- connecting to Ethernet network, 11
 - from USB, 13—14
- connecting to wireless network, 5—10
 - additional printer, 10
 - from USB, 12—13
 - printer on additional computers, 10
- connection to printer, changing
 - USB to Ethernet, 14
 - USB to wireless, 12—13
- control panel, 1, 2
- copying, 39—49
 - documents, 39—43
 - adjusting settings, 40—41
 - black-and-white, 40
 - brightness, 41, 43
 - color, 40
 - copy sizes, 73
 - darkening, 41, 43
 - enlarging, 40, 42
 - features, 73
 - fit to page, 40
 - lightening, 41, 43
 - number of copies, 40, 41
 - quality, 41
 - quantity, 40, 41
 - reducing, 40, 42

- photos, 44—49
 - adjusting settings, 45—46
 - black-and-white, 45
 - brightness, 46, 49
 - color, 45
 - copy sizes, 73
 - darkening, 46, 49
 - enlarging, 46, 48
 - features, 73
 - lightening, 46, 49
 - number of copies, 45, 47
 - previewing on LCD, 46
 - quality, 46
 - quantity, 45, 47
 - reducing, 46, 48
 - sizes, 46
 - using default settings, 44
- country/region, setting, 4
- cropping pictures, 36

D

- darkening copies
 - documents, 41, 43
 - photos, 46, 49
- date and time
 - setting, 4
 - synchronizing to computer, 4
- declaration of conformity, 84
- defaults
 - resetting, 4, 67
 - save copy settings as
 - documents, 41
 - photos, 46
 - save scan settings as, 54
- digital print order format, 4
- document backing, cleaning, 56
- documents
 - copying, 39—43
 - paper sizes, 77
 - printing, 27—29
 - printing from wireless device, 37
- double-sided printing, 27
- DPOF, 34
- DPOF printing, 4
- duplex printing, 27
- duplexer, location, 1

E

EASYSHARE Software, 30
ENERGY STAR qualification, 82
enlarging copies
 documents, 40, 42
 photos, 46, 48
envelopes
 loading, 24
 sizes, 16, 78
Ethernet network
 changing from USB, 13—14
 connecting printer to, 11
 MAC OS computer, connecting, 14
 requirements for connecting, 11
 WINDOWS OS computer, connecting, 14
Ethernet port, 1
extender, output paper tray, 1

F

firewall, disabling, 5
firmware, updating, 65
front paper-edge guides, 1

G

glass, scanner, 1
 cleaning, 56
graph paper, printing, 29
grocery list, printing, 29

H

home button, 2
Home Center Software, 3
hostname, printer, 9

I

Image Capture software, 38
image formats supported, 74
index card stock, sizes, 77
ink cartridges
 location, 1
 replacing, 58—60
ink levels, 58, 66
IP address, 8
IP address, viewing, 9
iPhoto software, 38
iron-on transfers, sizes, 77

K

keyboard on LCD
 using, 5, 7
KODAK EASYSHARE Software, 30
KODAK Home Center Software. See Home Center Software
KODAK Pic Flick App, 37

L

label sizes, 77
language, setting, 4
LCD, 2
left paper-edge guide, 1
legal-size paper
 capacity, 19
 loading, 19
light
 power status, 71
 Wi-Fi status, 71
lightening copies
 documents, 41, 43
 photos, 46, 49
loading paper
 envelopes, 24
 legal-size paper, 19
 photo paper, 22
 plain paper, 17

M

MAC address, viewing, 9
MAC OS computer
 connecting printer
 Ethernet, 14
 wireless, 13
main paper tray, 1, 45
 capacity
 legal-size paper, 19
 plain paper, 17
media supported, 77
memory cards, 30
MS/XD/SD card slot, 1

N

narrow-ruled paper, printing, 29
navigation buttons, 2
network configuration
 printing, 10
 viewing, 9

- network name (SSID), 5
- network subnet, viewing, 9
- network, Ethernet
 - connecting printer to, 11
 - requirements for connecting, 11
- network, wireless
 - connecting
 - non-WPS router, 6
 - WPS router, 7
 - connecting to, 5–10
 - installing printer on, 10
 - IP address, 8
- O**
- OK button, 2
- on/off button, 2
- output paper tray, 1
- output tray
 - capacity, 74
- output tray extender, 1
- P**
- panel, control, 1, 2
- panoramic pictures, printing, 35
- paper, 15–25
 - loading
 - envelopes, 24
 - legal-size paper, 19
 - photo paper, 22
 - plain paper, 17
 - sizes, 15, 77
 - types, 15, 77
- paper jam
 - cleanout area, 1
- paper stop, 1, 18
- paper tray
 - bottom, 45
 - capacity, 74
 - extender for legal paper, 1
 - main, 1, 45
 - capacity, 74
 - output, 1
 - photo, 1, 45
 - capacity, 74
 - selecting, 45
 - top, 45
 - capacity, 74
- paper tray, main
 - capacity
 - envelopes, 24
 - legal-size paper, 19
 - plain paper, 17
 - loading
 - envelopes, 24
 - legal-size paper, 19
 - plain paper, 17
- paper tray, output
 - capacity, 74
- paper tray, photo
 - capacity, 22
 - loading, 22
- paper trays
 - switching, 26
- paper-edge guide
 - front, 1
 - left, 1
- photo paper
 - capacity, 22
 - loading, 22
- photo paper sizes, 78
- photo paper tray, 1, 45
- photo printing
 - image enhancement, 72
 - print sizes, 72
 - quality, 72
 - scene balance, 72
- Pic Flick App, 37
- pictures
 - cropping, 36
 - printing, 30–37
 - DPOF, 34
 - from BLUETOOTH Technology enabled device, 37
 - from wireless device, 37
 - panoramic, 35
 - tagged, 34
 - transferring to computer, 38
 - zooming, 36
- plain paper
 - capacity, 17
 - loading, 17
- port
 - Ethernet, 1
 - power cord, 1
 - USB, 1

- power button, 2
- power cord port, 1
- power status light, 71
- printer
 - cleaning instructions, 55
 - components, 1
 - defaults, resetting, 4, 67
 - hostname, 9
 - maintaining, 55–67
 - settings, configuring, 4
 - supplies
 - recycling, 55
- printer access door, 1
- printer connection, changing
 - USB to Ethernet, 14
 - USB to wireless, 12
- printhead
 - location, 1
 - removing, 62
 - replacing, 61–65
- printing, 26–38
 - documents, 27–29
 - forms, 29
 - graph paper, 29
 - grocery list, 29
 - narrow-ruled paper, 29
 - pictures, 30–37
 - DPOF, 34
 - from BLUETOOTH Technology enabled device, 37
 - from memory card, 30
 - from USB-connected device, 30
 - panoramic, 35
 - tagged, 34
 - reminder list, 29
 - sheet music, 29
 - speed, 72
 - tagged pictures, 4
 - tic-tac-toe, 29
 - two-sided documents
 - automatically, 27
 - manually, 28
 - wide-ruled paper, 29

R

- rear-access cleanout area, 1
- recycling printer or supplies, 55
- reducing copies
 - documents, 40, 42
 - photos, 46, 48

- regulatory compliance, 80
 - Canadian, 81
 - European, 81
 - German, 81
 - REACH Article 33 declarations, 81
 - waste labeling, European Union, 82
- reminder list, printing, 29
- removing printhead, 62
- replacing ink cartridges, 58–60
- resolution, scanning, 50, 51

S

- safety information, 79–80
- scanner glass
 - cleaning, 56
 - location, 1
- scanner lid, 1
- scanner type, 73
- scanning, 50–54
 - features, 73
 - file format
 - document, 50
 - picture, 51
 - from computer, 51–52
 - from control panel, 53
 - maximum scan size, 73
 - multiple pictures simultaneously, 52
 - quality, 51
 - resolution, 50, 51
 - setting options, 53–54
- settings
 - copy documents, 40–41
 - copy photos, 45–46
 - scanning, 53–54
- sheet music, printing, 29
- software
 - support, 75
 - updating, 65
- sounds, changing, 4
- specifications, 72–78
 - physical dimensions, 75
 - power, 75
 - weight, 75
- SSID, 5
- start button, 2
- system requirements, 76

T

- tic-tac-toe, printing, 29
- time to low power, setting, 4

- top tray, 45
 - transferring pictures to computer, 38
 - transparency sizes, 77
 - tray
 - selecting, 45
 - trays
 - switching, 26
 - troubleshooting, 68–71
 - error messages, 69
 - help on the web, 70
 - ink cartridge, 69
 - paper jam, 69
 - power, 68
 - print quality, 69
 - printer not detected, 68
 - printhead carriage jam, 68
 - wireless connectivity, 68
 - two-sided printing, 27
- U**
- updating
 - printer firmware, 65
 - software, 65
 - USB connection, changing
 - to Ethernet, 13–14
 - to wireless, 12–13
 - USB port
 - back, 1
 - front, 1
- W**
- warranty, 75, 82–83
 - ink, 74
 - Web support
 - contact information, 69, 70, 79
 - downloads, 70
 - Electronics Industry Alliance, 55
 - ENERGY STAR program, 82
 - firmware update, 66
 - interactive troubleshooting, 69, 70
 - iPhone software, 37
 - iPod Touch Device software, 37
 - Material Safety Data Sheets (MSDS), 80
 - networking, 7, 8, 12, 68, 70
 - Pic Flick App, 37
 - printer support, 70
 - REACH Article 33 declarations, 81
 - recycling, 55
 - system requirements, 70
 - WEP key, 5, 7
 - wide-ruled paper, printing, 29
- Wi-Fi**
- connectivity LED, 2
 - status light, 71
 - technology supported, 74
- WiFi Setup wizard, 6
- window for photo paper, 1
- WINDOWS OS computer
- connecting printer
 - Ethernet, 14
 - wireless, 12
 - wireless device, printing from, 37
- wireless network
- configuration
 - printing, 10
 - viewing, 9
 - connecting
 - additional printer, 10
 - non-WPS router, 6
 - printer on additional computers, 10
 - WPS router, 7
 - connecting to, 5–10
 - from USB, 12
 - using WiFi Setup wizard, 6
 - IP address, 8
 - settings, configuring, 5
- WPA/WPA2 passphrase, 5, 7
- WPS router, 7
- Z**
- zoom button, 2
 - zooming pictures, 36