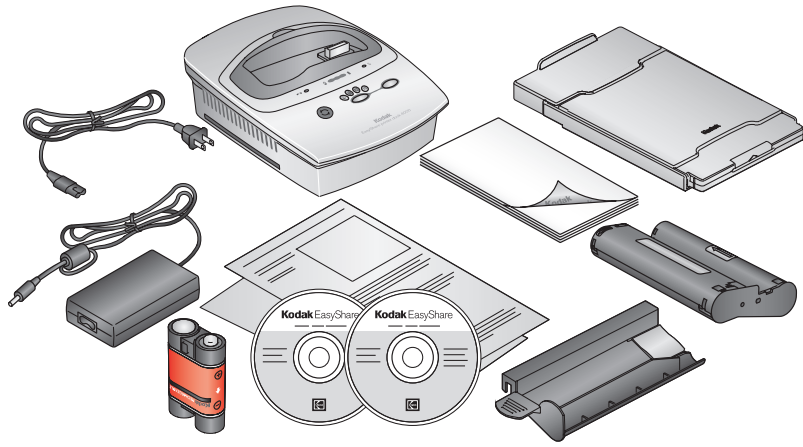


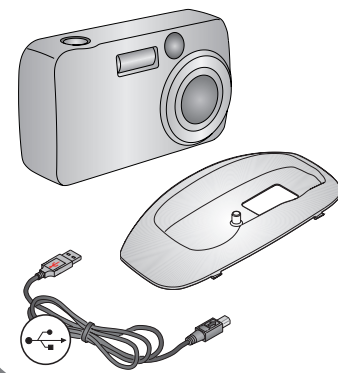
Kodak EasyShare printer dock 4000

Overview

Package Contents



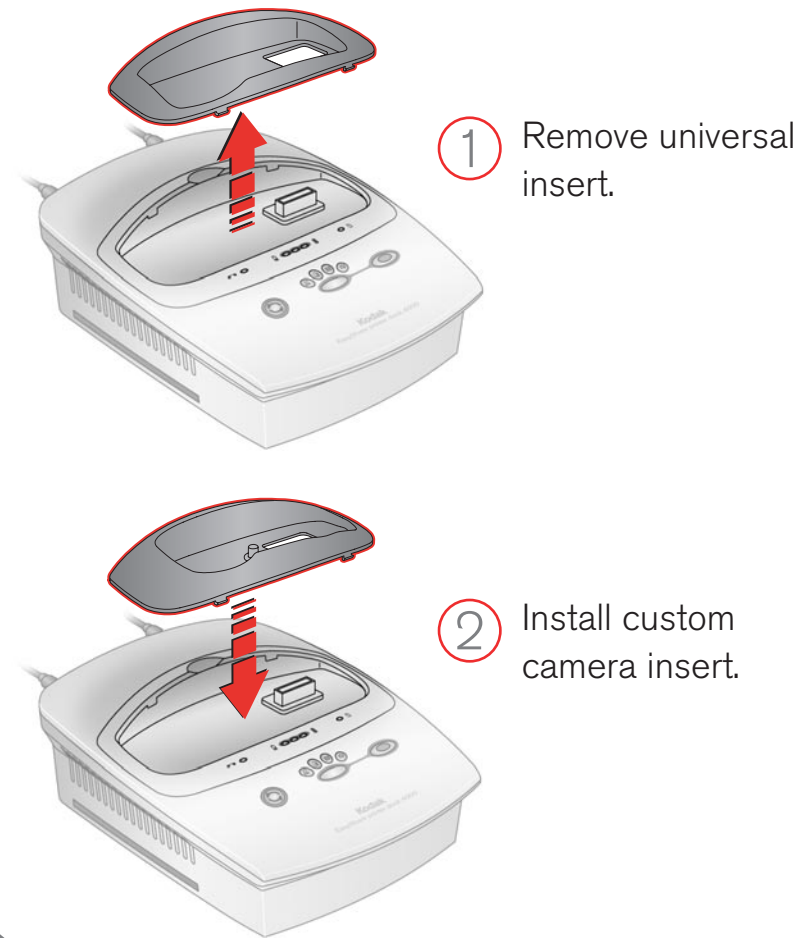
What else do I need?



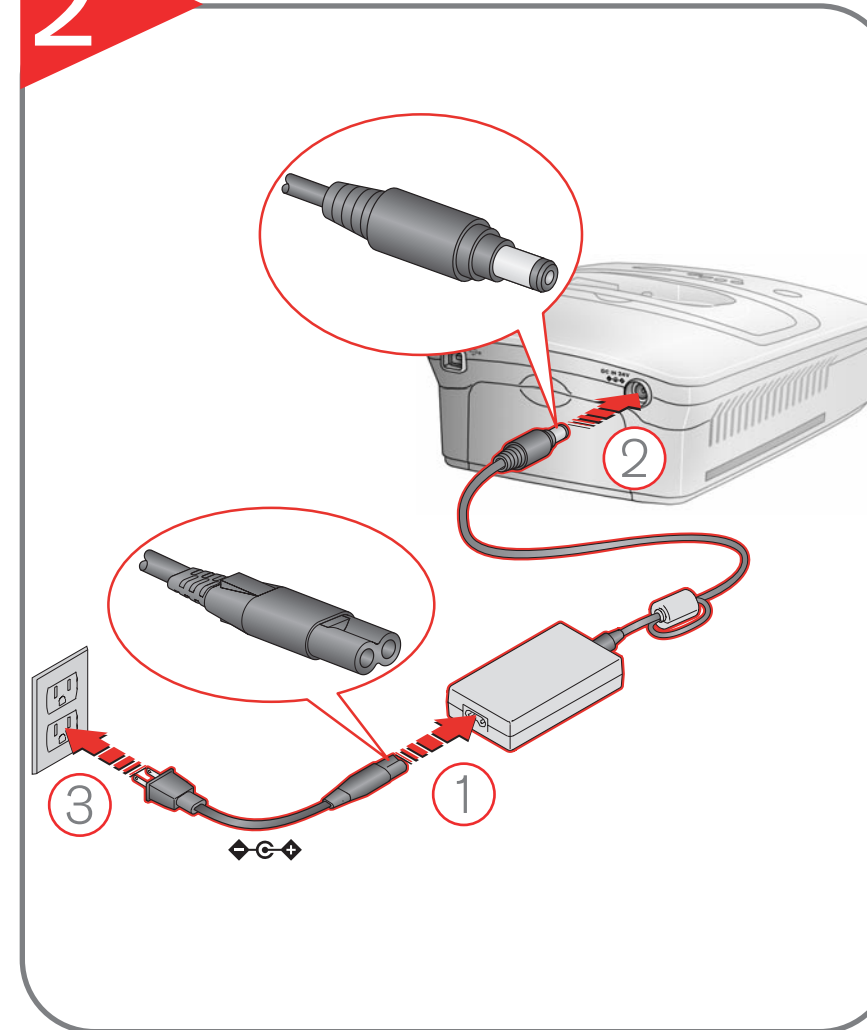
- Kodak EasyShare CX/DX 3000 or 4000 series digital camera
- Included with camera:
 - USB cable
 - Custom camera insert

1 Install Custom Camera Insert

Optional. Custom camera insert provides best fit.



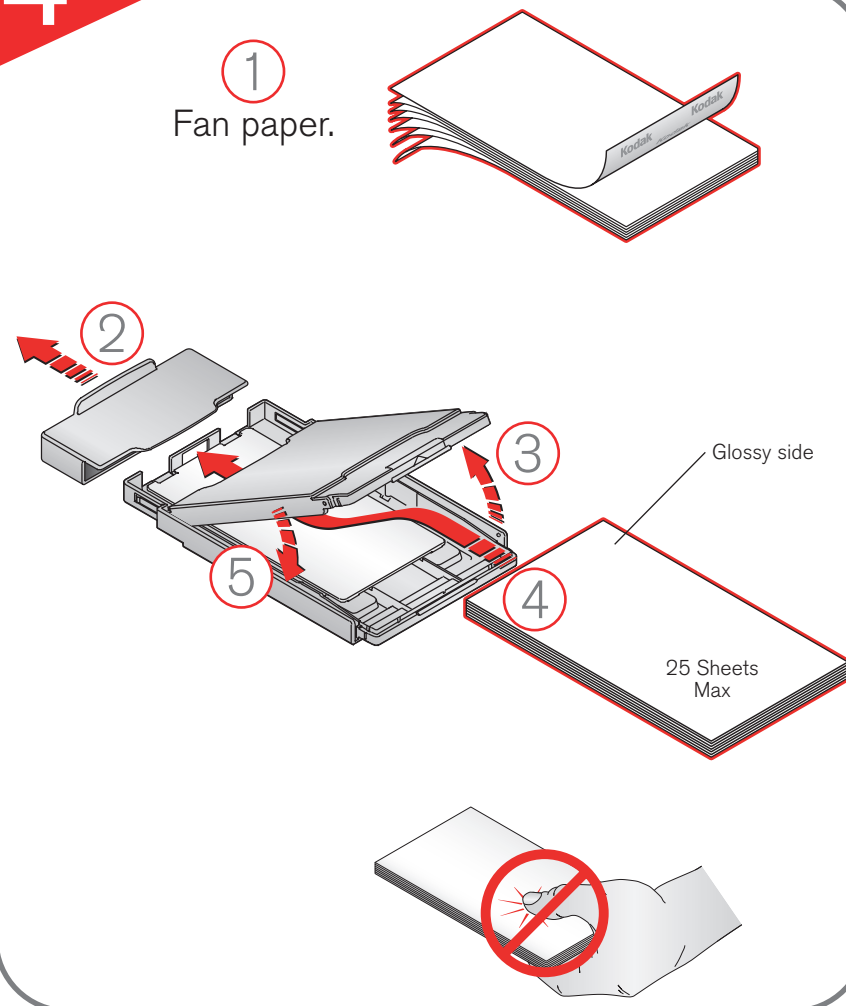
2 Connect Power



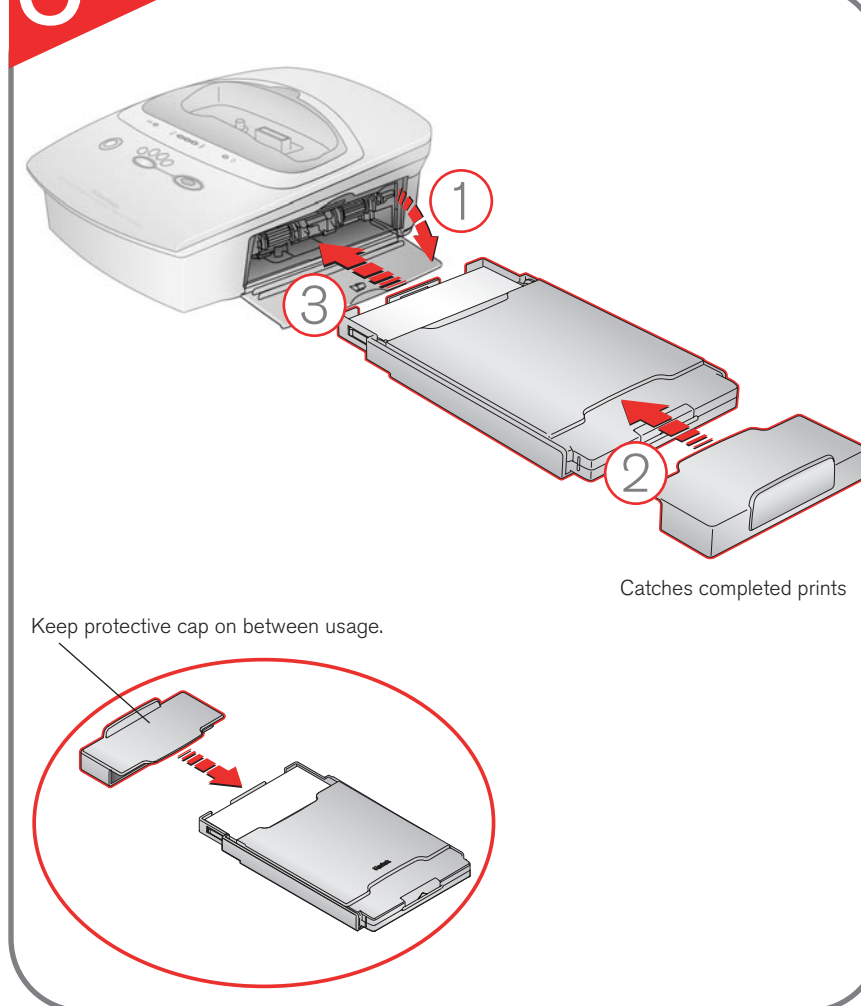
3 Load Color Cartridge



4 Load Paper

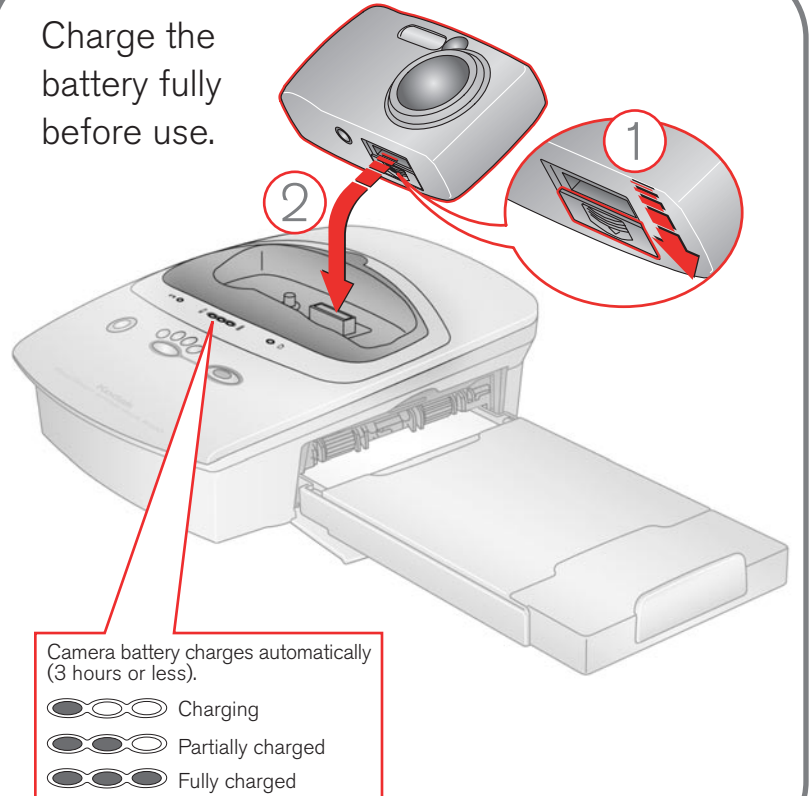
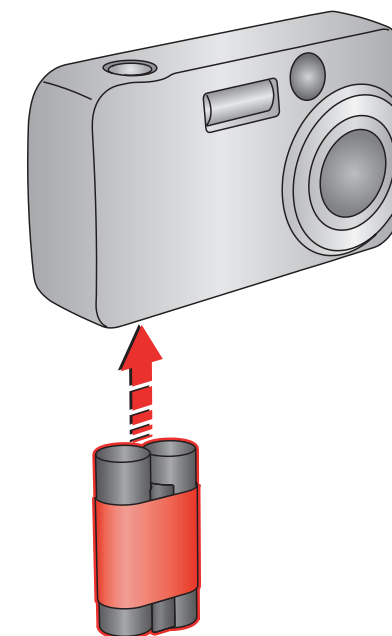


5 Attach Tray



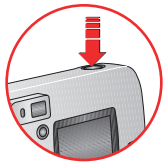


6 Install and Charge Rechargeable Battery in Camera

Use the Ni-MH rechargeable battery pack that came with the printer dock 4000.



- Charging
- Partially charged
- Fully charged

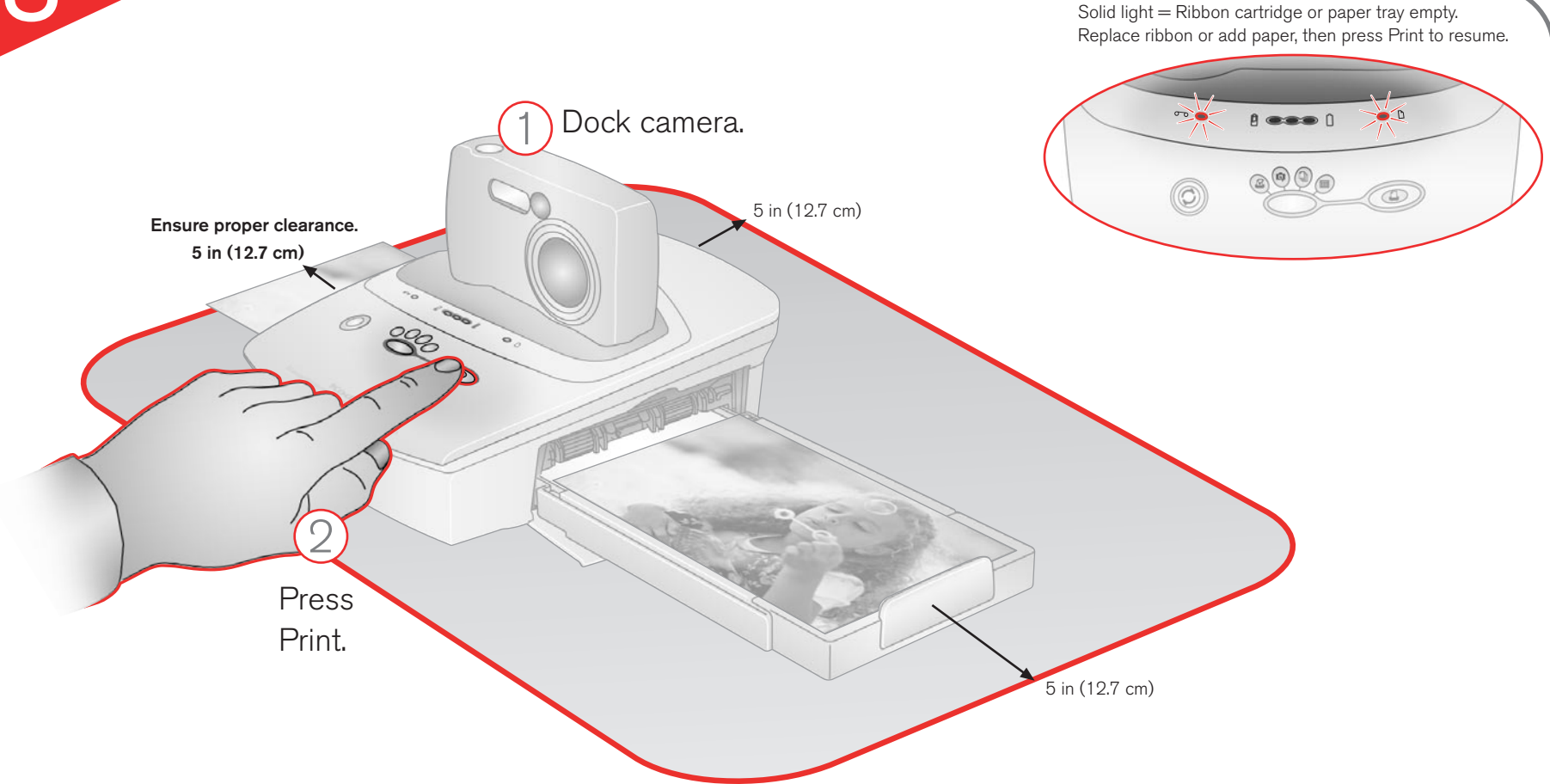
7 Select Pictures for Automatic Printing

- 1 Set picture quality. Use Best or Best (3.2).
- 2 Take pictures. 
- 3 Enter Review mode to find a picture to print.
- 4 Press the Share button.*
- 5 Highlight the Print icon. 
- 6 Press OK. 
- 7 Press ▲/▼ to select number of copies to print.
- 8 Press OK.
- 9 Press the Share button* to exit the Share menu.



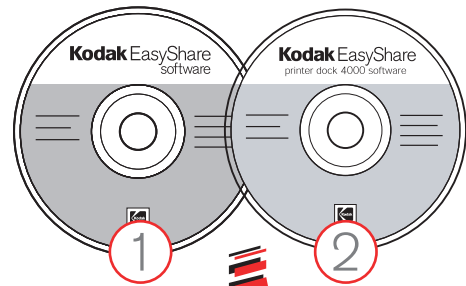
*Note: Settings/buttons may vary depending on camera model. See your camera User's Guide for details on creating a Print Order.

8 Dock the Camera and Print

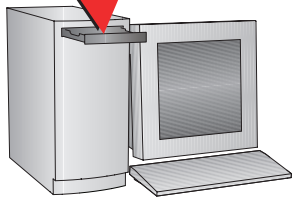


9 Install Software

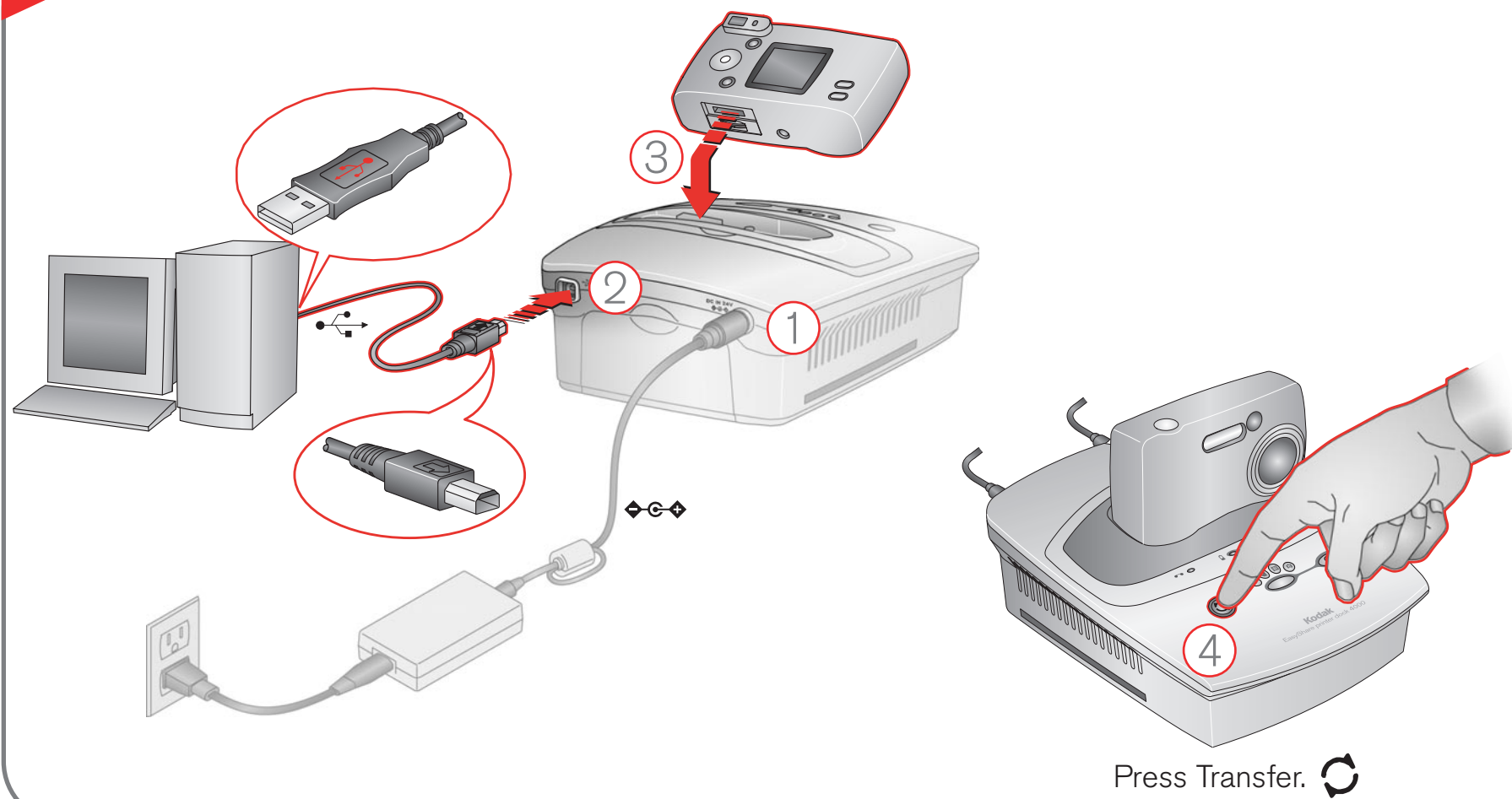
- Install software BEFORE connecting cables.
- Close/Quit all open applications on your computer.



Install Kodak EasyShare software (version 3.0 or higher), then the printer dock software.



10 Transfer Pictures to Computer



11 Register Your Printer Dock

Visit
www.kodak.com/go/register.

Need More Help?
www.kodak.com/go/printerdock